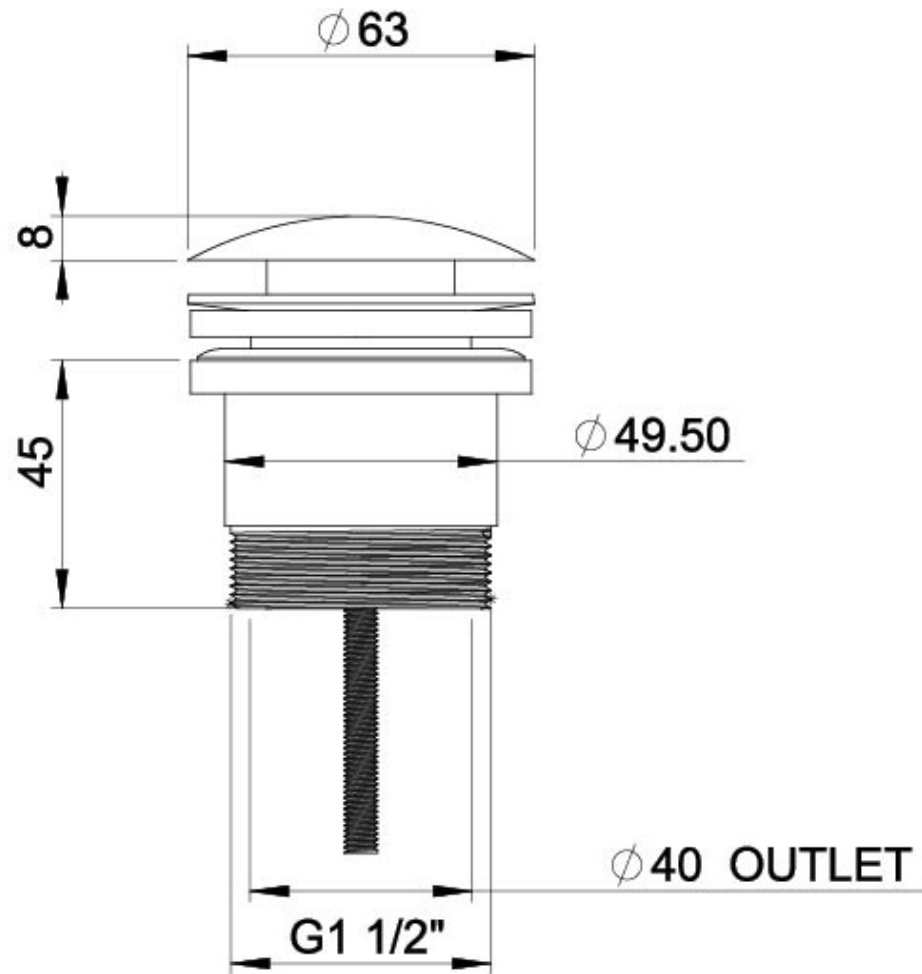


PLUMBING ACCESSORIES & FIXTURES

40MM DOME POP UP UNIVERSAL WASTE



SPECIFICATIONS



AVAILABLE IN



800-8900-00
Chrome



800-8900-40
Brushed
Nickel



800-8900-30
Gun Metal



800-8900-10
Matte Black



800-8900-12
Brushed
Gold

INFORMATION



MAINTENANCE AND CARE:

- All surfaces should be cleaned with mild liquid detergent or soap and water.
- Do not use cream cleaners or citrus based cleaning products, as they are abrasive.
- Use of unsuitable cleaning agents may damage the surface.
- Any damage caused in this way will not be covered by warranty.

Please visit <https://www.phoenixtapware.com.au/warranty> to view the full warranty

