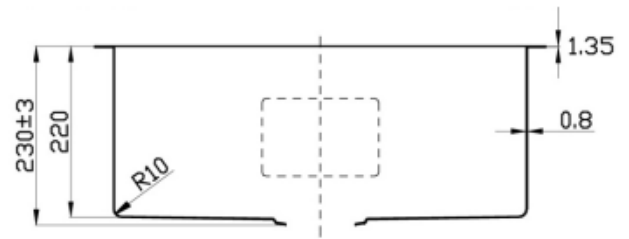
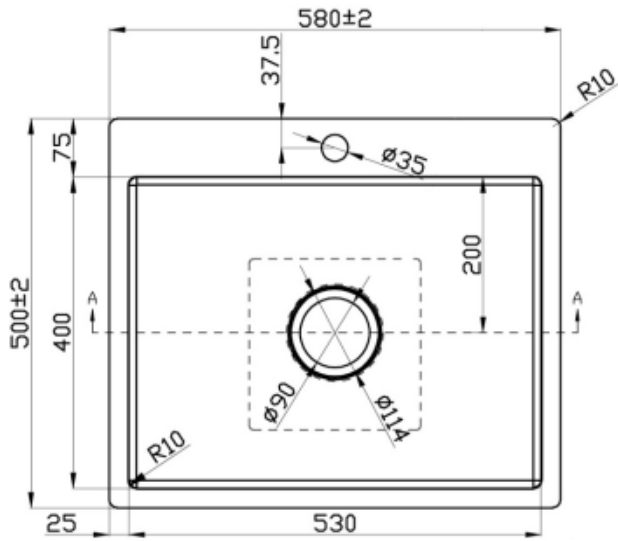


CODE:	5340LT
SIZE:	580W X 500D X 230H mm
TYPE:	TOP / UNDERMOUNT
TAPHOLE:	1

JNK | BATHROOM, PLUMBING
& KITCHEN SUPPLIES



NB: Drawings are not to scale—they are to assist only. All measurements are nominal and are subject to change.