

ANDANO700U

Stainless Steel Single Bowl Undermount Sink



BLANCO



Model Code
ANDANO700U

Description
Single bowl undermount

Inclusions
Chrome designer wastes
Integrated overflow

Warranty
30 year warranty



Features

Benefits

Engineered in Germany

Over 85 years of Stainless Steel know-how make Blanco one of the world leaders in sink manufacturing, which translates to superior products for your home.

Undermount installation

Creates a clean look that is particularly attractive when combined with natural stone or composite benchtops,

18/10 Surgical Grade Stainless Steel

Hand-crafted from surgical grade stainless steel and with Blanco's satin finish, this sink is the ultimate food preparation area.

Large 53L capacity main bowl

Accommodates the largest of baking trays, woks and other bulky kitchen utensils.

Tight radius corners

The small radius maximises useable space in the bowl to allow for larger pots and pans. Also allows for easy cleaning.

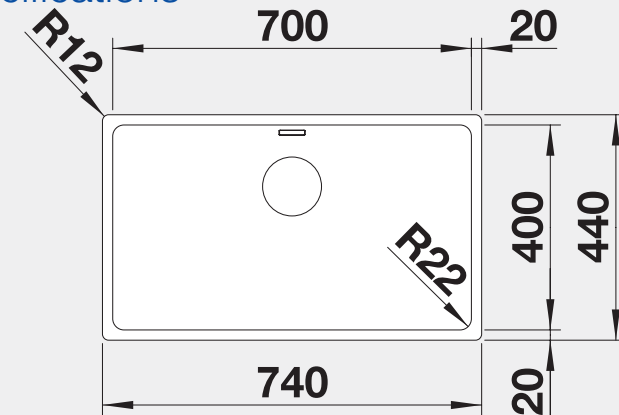
Broad range offering

Varying sizes available. You can create a design utilising just one bowl or a collection of bowls from the range.

Integrated overflow – Plumbing kit supplied

No overflowing of the main bowl, prevents damage to the kitchen.

Specifications



Method of Installation:	Undermount
Cabinet Size:	80cm
Overall Dimensions:	740w x 440d x 190h mm
Undermount Cut-out:	700w x 400d mm (refer to CAD drawing on the website for corner radii)
Bowl Capacity:	53 Litres
Standard Inclusion:	Designer Wastes and Integrated Overflow
Optional Accessories:	ANDCUTGCB, MESDRAING, ANDDRAINSS, BUCRBSS, ANDCOLSS, CAPFLOW
Warranty:	30 years

Note: Measurements are within 2-3mm of factory tolerance. It is advisable to check dimensions of physical product when measuring for installations and before doing any cut outs.

*Due to continual product development the information provided is not final and may be subject to change.