



SHOWERS

LILLIAN

Twin Rail Shower,
Matte Black

\$1399 • 455114B

- Electroplated matte black finish
- Integrated top water inlet / diverter
- WELS 3 Star rated, 9L/min

Rail:

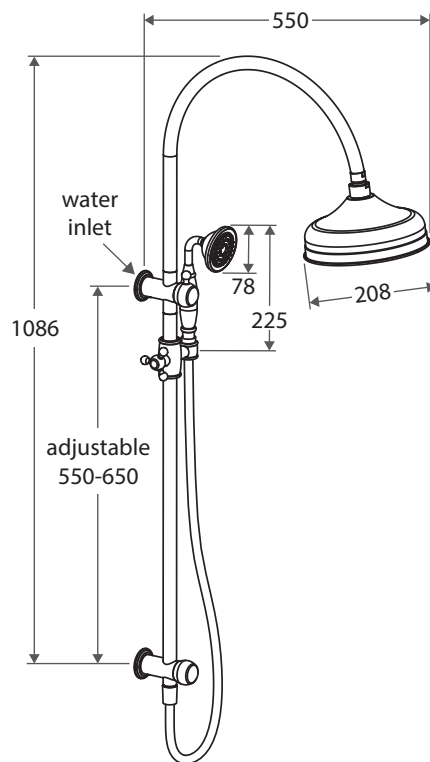
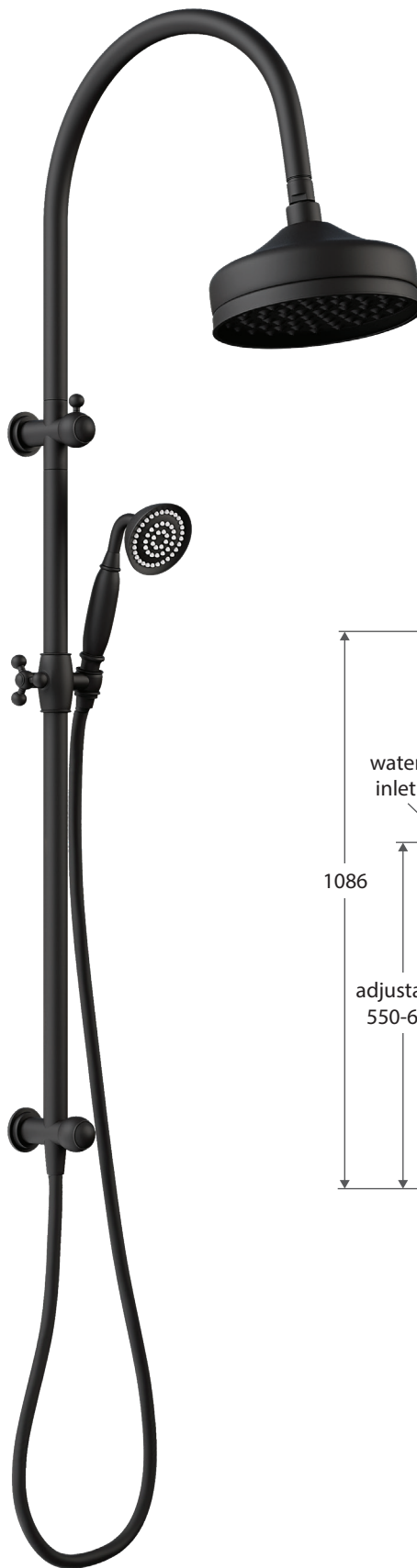
- All brass construction
- Adjustable length between wall fixings: 550-650mm
- Rail thickness: 22mm

Overhead included:

- LILLIAN 208mm rain head (411138B)
- Stainless steel construction
- Brass swivel joint

Handheld included:

- LILLIAN single function head
- Brass construction
- Matte black PVC flexi-hose



WARRANTIES: DOMESTIC USE

- 15 YEAR WARRANTY** SHOWER HEADS & ARMS
15 YEARS replacement parts or product
- 15 YEAR WARRANTY** TWIN SHOWER RAILS
15 YEARS replacement parts or product,
1 year labour
- 1 YEAR WARRANTY** SHOWER HOSES
1 YEAR replacement parts or product
- 5 YEAR WARRANTY** COLOURED FINISHES
5 YEARS replacement parts or product

WARRANTIES: COMMERCIAL USE

- 7 YEAR WARRANTY** SHOWER HEADS & ARMS
7 YEARS replacement parts or product
- 5 YEAR WARRANTY** TWIN SHOWER RAILS
5 YEARS replacement parts or product,
1 year labour
- 1 YEAR WARRANTY** SHOWER HOSES
1 YEAR replacement parts or product
- 1 YEAR WARRANTY** COLOURED FINISHES
1 YEAR replacement parts or product

