



SHOWERS

LILLIAN

Twin Rail Shower, Chrome

\$749 • 455114

- Chrome finish
- Integrated top water inlet / diverter
- **WELS 3 Star rated, 9L/min**

Rail:

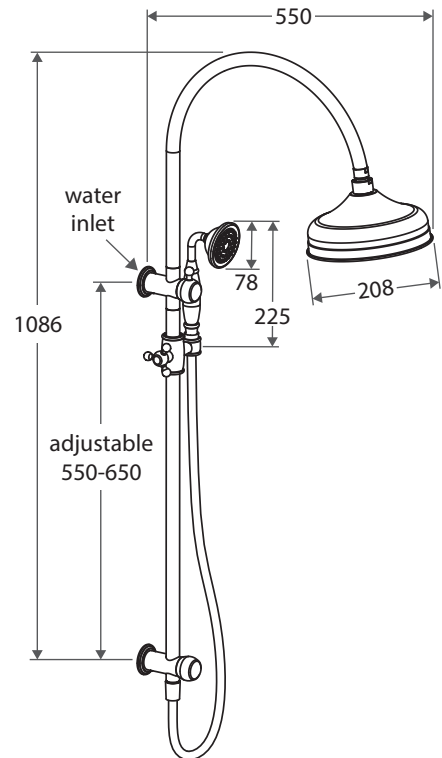
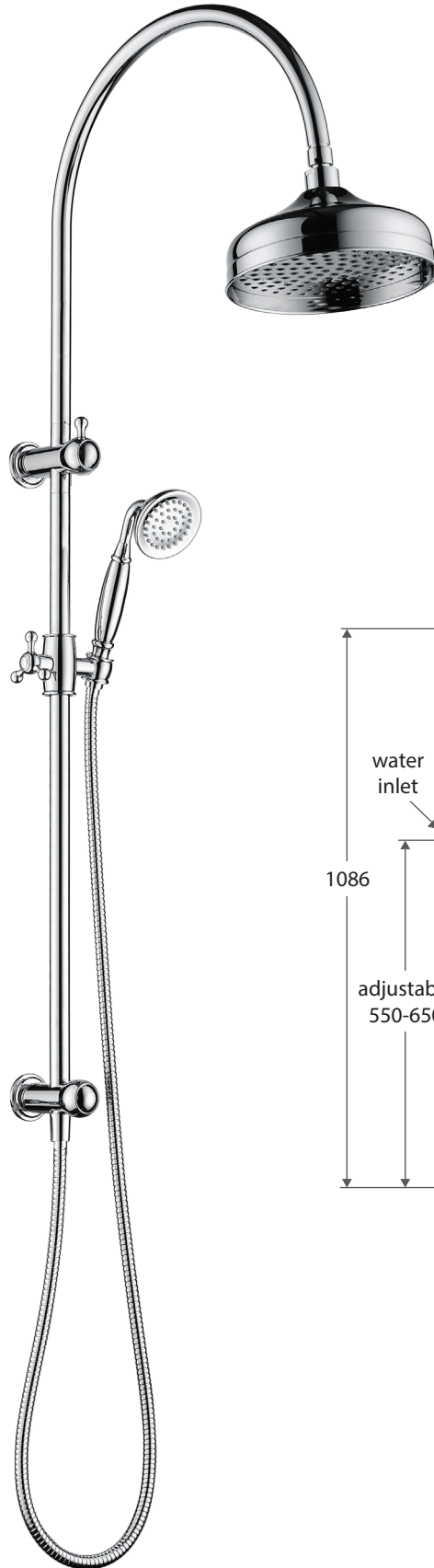
- All brass construction
- Adjustable length between wall fixings: 550-650mm
- Rail thickness: 22mm

Overhead included:

- LILLIAN 208mm rain head (411138)
- Stainless steel construction
- Brass swivel joint

Handheld included:

- LILLIAN single function head (MSH003)
- Brass construction
- Stainless steel flexi-hose



WARRANTIES: DOMESTIC USE

- 15 YEAR WARRANTY** SHOWER HEADS & ARMS
15 YEARS replacement parts or product
- 15 YEAR WARRANTY** TWIN SHOWER RAILS
15 YEARS replacement parts or product, 1 year labour
- 1 YEAR WARRANTY** SHOWER HOSES
1 YEAR replacement parts or product
- 5 YEAR WARRANTY** COLOURED FINISHES
5 YEARS replacement parts or product

WARRANTIES: COMMERCIAL USE

- 7 YEAR WARRANTY** SHOWER HEADS & ARMS
7 YEARS replacement parts or product
- 5 YEAR WARRANTY** TWIN SHOWER RAILS
5 YEARS replacement parts or product, 1 year labour
- 1 YEAR WARRANTY** SHOWER HOSES
1 YEAR replacement parts or product
- 1 YEAR WARRANTY** COLOURED FINISHES
1 YEAR replacement parts or product

