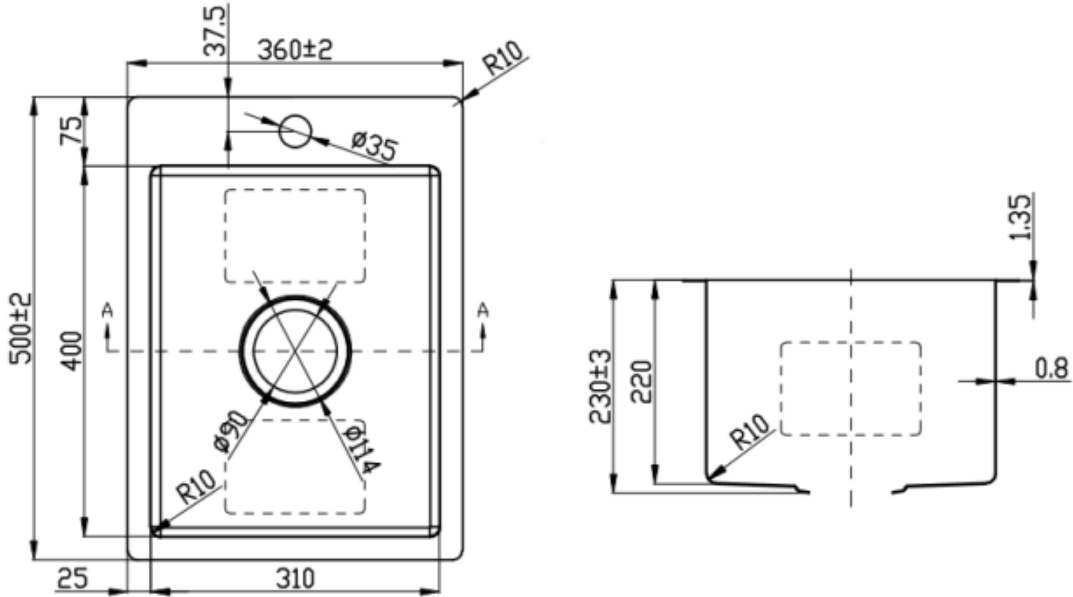


| | |
|----------|-----------------------|
| CODE: | 3140LT |
| SIZE: | 360W X 500D X 230H mm |
| TYPE: | TOP / UNDERMOUNT |
| TAPHOLE: | 1 |

JNK

BATHROOM, PLUMBING
& KITCHEN SUPPLIES



NB: Drawings are not to scale—they are to assist only. All measurements are nominal and are subject to change.