

## Product information sheet NAYA 8 S

Item no. 526823

### Benefits

---



- Generous bowl for multiple works in and around the sink
- Soft internal corners in the bowl for easy cleaning
- Mindful shape that integrates nicely within the kitchen design
- Continuous ledge frames the water area and protects the worktop from water splashes
- Very resistant for daily family use thanks to the qualities of the Silgranit material.

### Colours

---



Available colours:

- anthracite
- rock grey
- black
- white

SILGRANIT anthracite

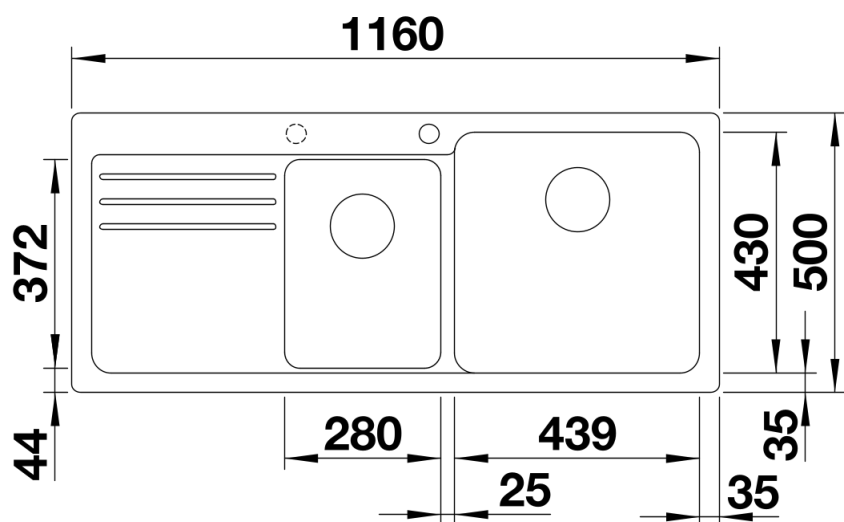
## Scope of supply

---

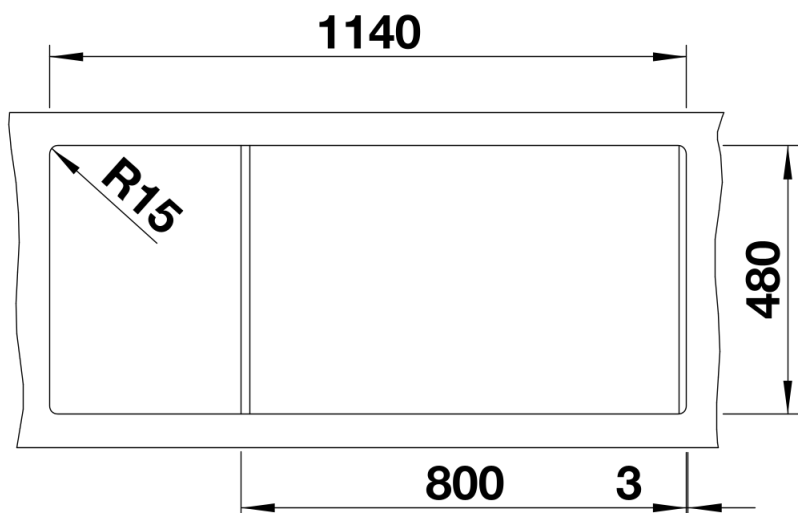
- waste kit
- 2 x 3 1/2" basket strainer

## Details

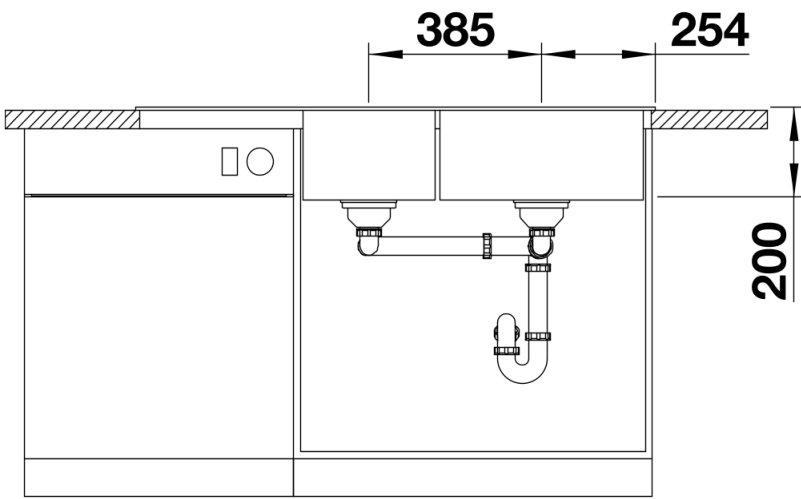
---



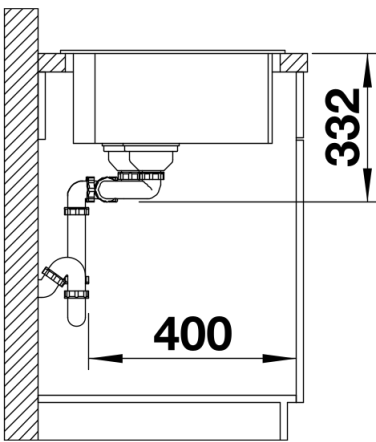
Top view



Cut-out



Front view



Side view