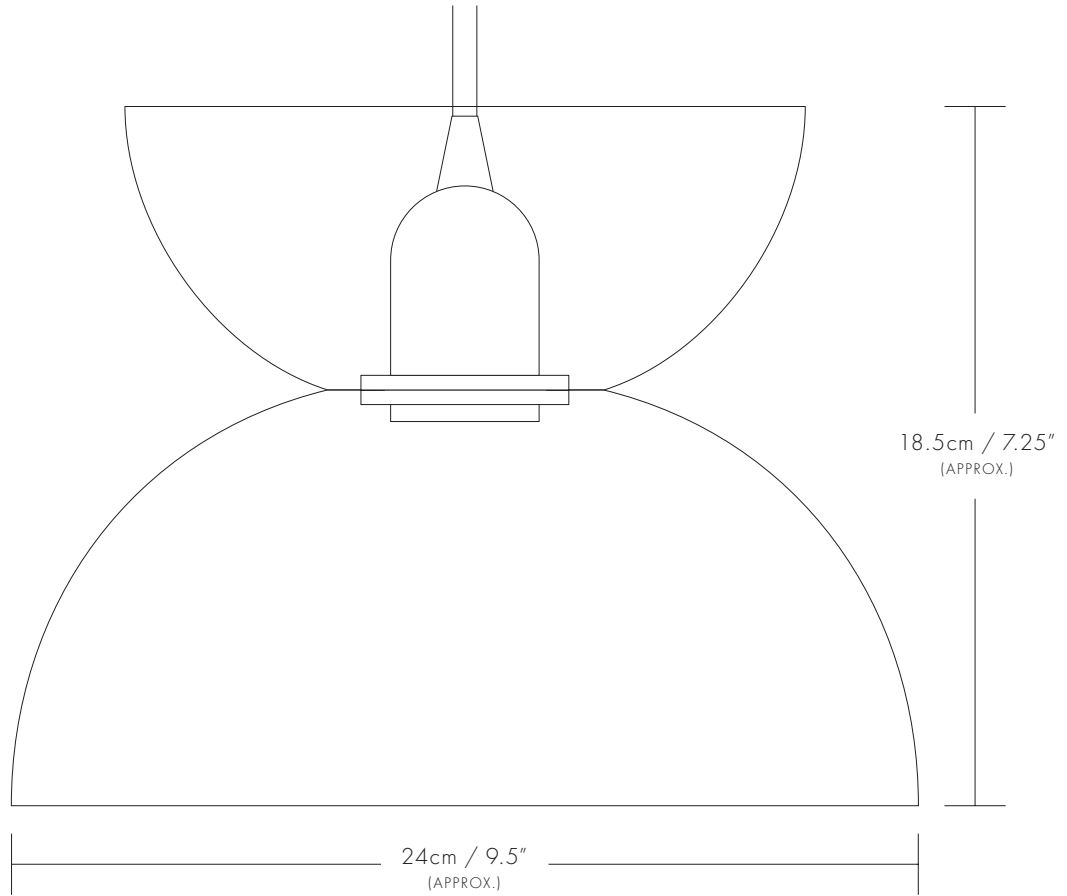




Nova Pendant



MANUFACTURER

AND Ceramic Studio

ORIGIN

Handmade in Saskatchewan, Canada

PRODUCTION

Made to order 6–8 weeks

MATERIALS

Stoneware clay sourced from the Canadian prairies. Every ceramic piece is handmade and may exhibit slight variations in form and colour.

STONEWARE COLOUR OPTIONS



DIMENSIONS

24cm / 9.5" x 18.5cm / 7.25" (approx.)

WIRING – HARDWARE

E26 socket 60W max., 3.05m / 10.0' flexible fabric cord, with ceiling canopy, ETL certified

HARDWARE COLOUR OPTIONS



LED LIGHT BULB RECOMMENDED (NOT INCLUDED)