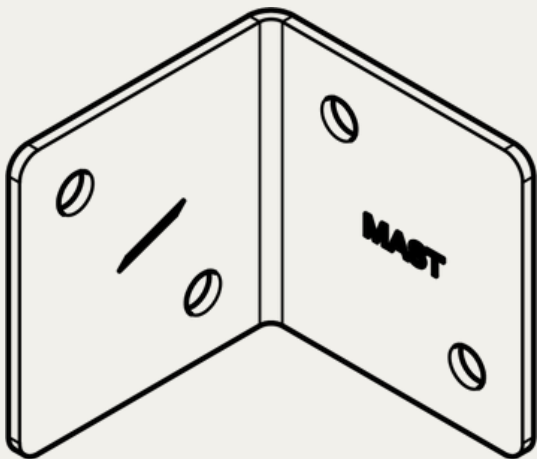


# Title Bed 02 Assembly

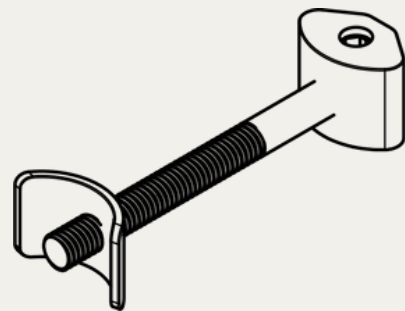
MAST

The interlocking joinery of the Title Bed range has been designed with ease of assembly and longevity in mind. With the addition of high quality hardware, Title Beds can be assembled, disassembled and used without any affect on the structural integrity.

We recommend two people to assemble a bed. Assemble the bed on a soft surface ie. carpet, soft blanket etc. All hardware and tools are supplied.



Corner Bracket x 2



Cam Bolt x 4



Cam Hex Key



Bolt Hex Key



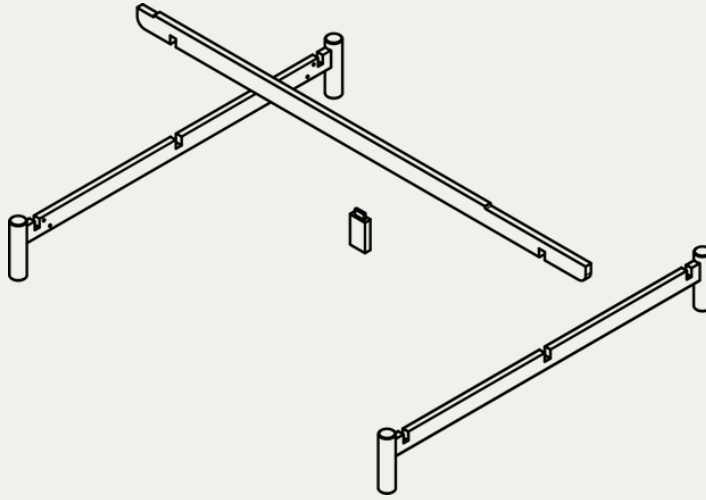
45mm Bolt x 2



16mm Bolt x 16

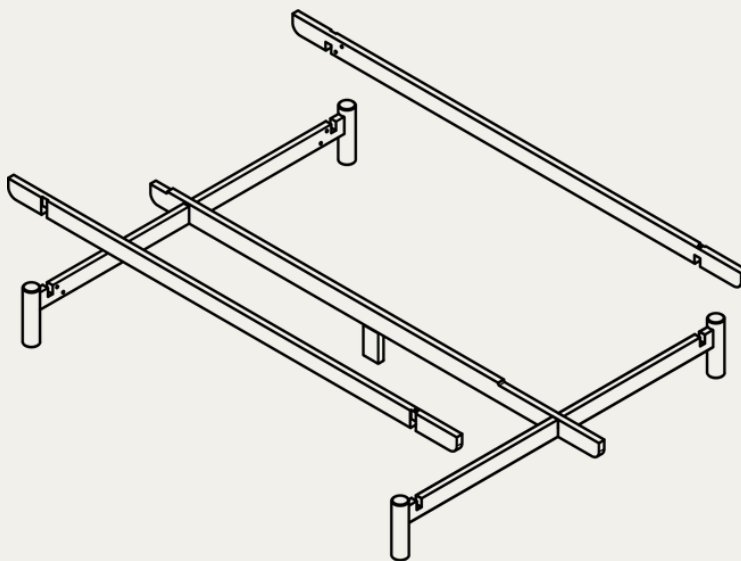
**Step 1:**

Insert the support leg into the underside of the centre rail. Slot the centre rail in to the centre notch of each leg rail. No fixings required.



**Step 2:**

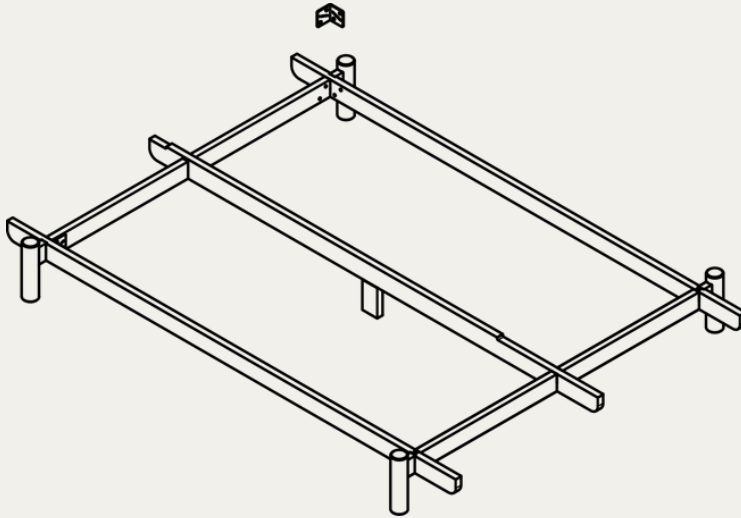
Slot the outside rails into the the leg rails. Ensure the threaded inserts are at the head end and are facing in.



### Step 3:

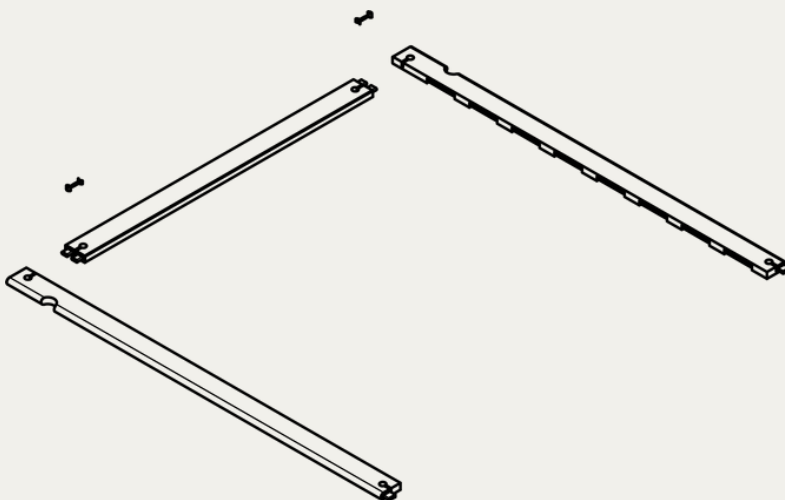
Attach the corner brackets at the head end using the 16mm bolts provided. Use the two 45mm bolts through the top of the rails at the foot end. These should be tightened to a 'snug' fit and not over tightened.

It is best to lift the bed frame into its final position at this point.



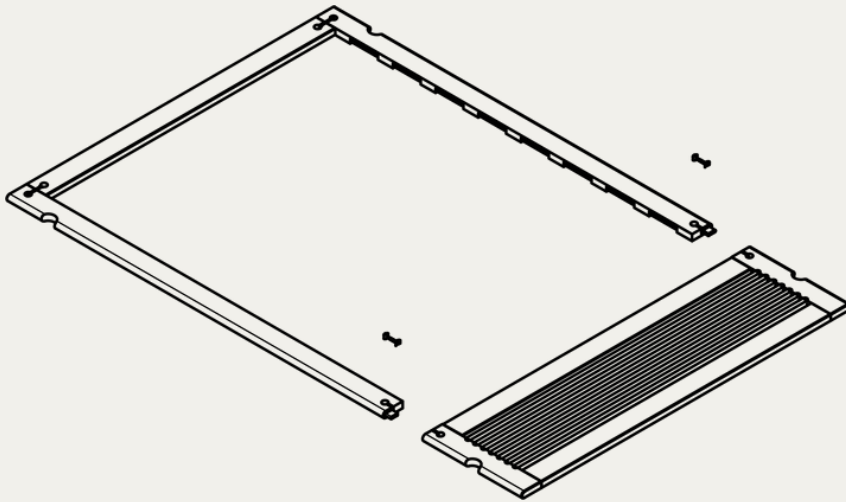
### Step 4:

On a soft surface lay out the platform side rail and short rail. Push together and use the cam bolts to tighten the parts together. These should be tightened to a 'snug' fit and not over tightened.



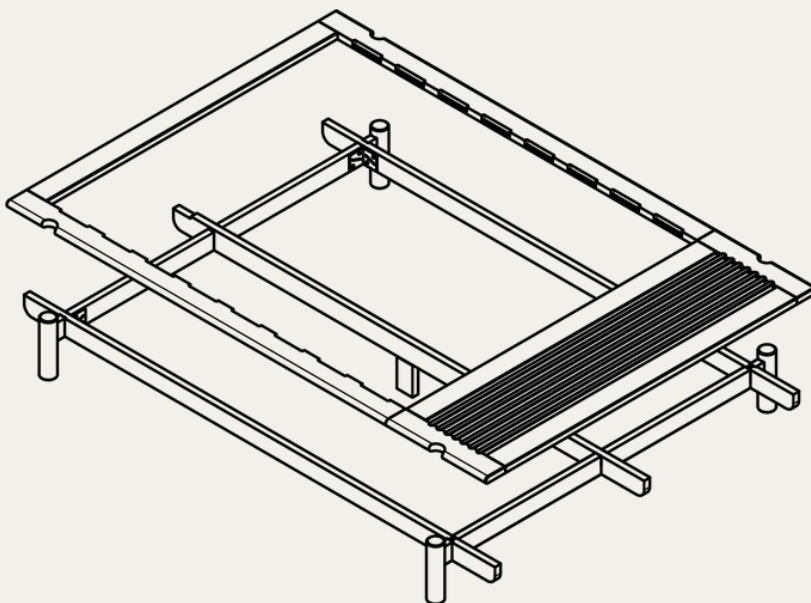
**Step 5:**

Attach the platform rails to the bench using 2 x Cam Bolts.



**Step 6:**

Flip the platform over and place it in the bed frame. No fixings are required.



Step 7:

Place the mattress slats in the platform frame. No fixings are required.

