

FHT-EX® 105TT



THE ALL-NEW CUTTING TORCH

- + HANDHELD
- + MECHANIZED



The high-performing FHT-EX®105TT H/M hand and machine torches meet tough demands during continuous operation. Designed for optimal use with EX-TRAFIRE®85HD and 105HD power supplies for cutting, gouging, grid-cutting and marking. Cut plate thickness of up to 2 ¼ inches quicker and more precisely.

The Thermacut® Torch Connection System (TCS), changing the torch is a quick and easy process. Resulting from decades of experience in the field of plasma cutting, the power supplies features an extremely robust and durable design supported by consumables that can be replaced quick and easily.

BENEFITS

- High-performance torches for mechanized applications and handheld use
- Ergonomic handheld torches that increase time cutting safely in all positions
- Compact and flexible for handheld applications, even in the case of tight radii or gouging of fillet welds
- 100 % duty cycle at 105A for continuous use
- Ideal for plate thicknesses of up to 2 ¼ inches and more with high power reserves
- Consumables with an extended lifetime
- Quick and tool-free replacement of consumables
- Piercing capability up to 1 inch
- Perfectly designed for use with EX-TRAFIRE®85HD and 105HD power supplies

FHT-EX® 105TTH

HAND TORCH ASSEMBLY



Item	Part No.	Description	Pcs
1.	EX-5-133-002	DEMO FHT-EX®105TTH Hand Torch Assembly/TCS13	1
	EX-5-139-001	FHT-EX®105TTH Hand Torch Assembly-w/o consumables w/5m (16.5') Lead/TCS13	1
	EX-5-139-002	FHT-EX®105TTH Hand Torch Assembly w/o consumables w/8m (26') Lead/TCS13	1
	EX-5-139-003	FHT-EX®105TTH Hand Torch Assembly w/o consumables w/15m (50') Lead/TCS13	1
	EX-5-139-004	FHT-EX®105TTH Hand Torch Assembly w/o consumables w/23m (75') Lead/TCS13	1
⊕ 2.	EX-0-321-003	Latch with Key Assembly	1

⊕ LATCH WITH KEY IS NOT CONTENT OF TORCHES ABOVE. IF YOU NEED IT, YOU HAVE TO ORDER SEPARATELY.

FHT-EX® 105TTH

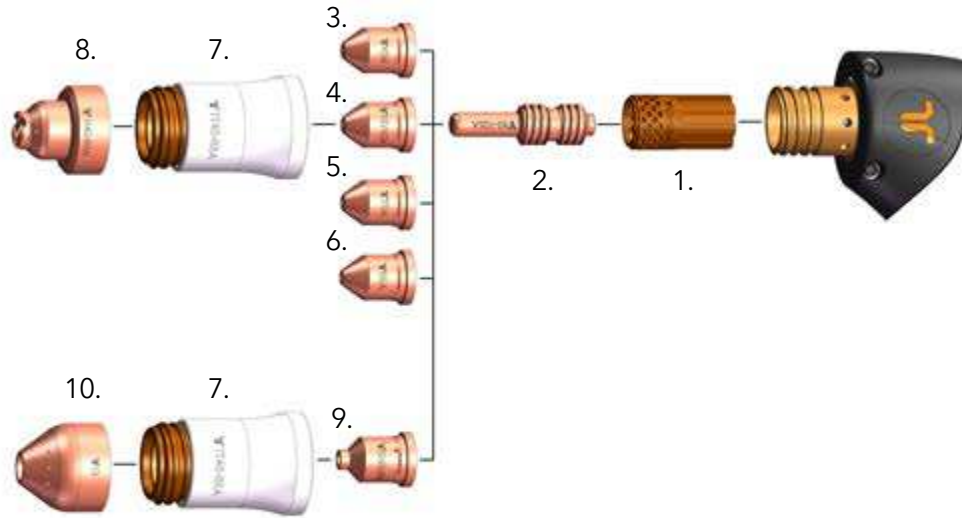
HAND TORCH COMPONENTS



Item	Part No.	Description	Pcs	Item	Part No.	Description	Pcs
1.	EX-5-374-010	FHT-EX®105TTH Hand Torch Lead Replacement 5m (16.5')/TCS13	1	8.	EX-0-325-005	Male Crimp Pin for TCS Plug	1
1.	EX-5-374-011	FHT-EX®105TTH Hand Torch Lead Replacement 8m (26')/TCS13	1	9.	EX-0-323-001	TCS13 Plug Body	1
1.	EX-5-374-012	FHT-EX®105TTH Hand Torch Lead Replacement 15m (50')/TCS13	1	10.	EX-5-302-001	Hand Torch Body Repl. Kit (incl. Torch body & Cap sensor)	2
1.	EX-5-374-013	FHT-EX®105TTH Hand Torch Lead Replacement 23m (75')/TCS13	1	11.	EX-5-431-050	O-Ring (fitted on the torch body) - 2 pcs	1
2.	EX-5-318-001	TCS Plug Spring Strain Relief	1	12.	EX-5-314-001	Hand Torch Handle Replacement Kit	1
3.	EX-0-325-015	TCS Clam Shell Screw Kit (incl. 4 screws)	1	13.	EX-5-305-002	Cap-sensor Replacement Kit with Screws/ Hand Torch	1
4.	EX-0-325-002	TCS Clam Shell Upper	1	14.	EX-5-313-031	Safety Trigger	1
5.	EX-0-325-001	TCS Clam Shell Lower	1	15.	EX-5-308-001	Hand Torch Handle with Screws	1
6.	EX-0-325-010	Retaining Ring (Outer circlip ring)	1	16.	EX-5-372-010	Cathode mounting kit	1
7.	EX-0-325-009	O-Ring (fitted in the TCS plug)	1	17.	EX-0-321-003	Latch w/Key Assembly	
				18.	EX-5-313-030	Safety Trigger Micro-Switch	

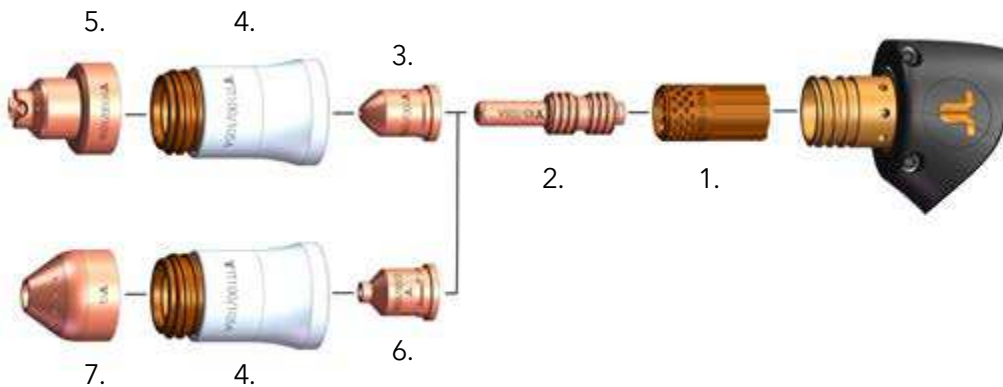
CONSUMABLES

HAND TORCH CONSUMABLES - 45-85 A



Item	Part No.	Description	Pcs	Item	Part No.	Description	Pcs
1.	EX-5-404-051	Swirl Ring 45-105 A	1	6.	EX-5-410-055	Nozzle 85 A	1
2.	EX-5-401-051	Electrode 45-105 A (pkg.5pcs)	1	7.	EX-5-415-050	Nozzle Retaining Cap 45-85 A	1
3.	EX-5-410-051	Nozzle 45 A	1	8.	EX-5-422-031	Hand Shield 45-85 A	1
4.	EX-5-410-053	Nozzle 55/65 A	1	9.	EX-5-440-051	Gouging Nozzle 45-85 A	1
5.	EX-5-410-030	Nozzle 75 A	1	10.	EX-5-440-050	Gouging Shield	1

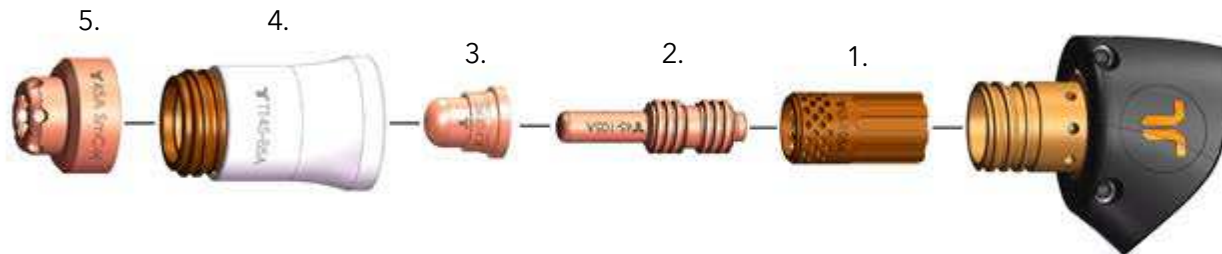
HAND TORCH CONSUMABLES - 100-105 A



Item	Part No.	Description	Pcs	Item	Part No.	Description	Pcs
1.	EX-5-404-051	Swirl Ring 45-105 A	1	5.	EX-5-422-032	Hand Shield 100/105 A	1
2.	EX-5-401-051	Electrode 45-105 A (pkg.5pcs)	1	6.	EX-5-440-052	Gouging Nozzle 100/105 A	1
3.	EX-5-410-056	Nozzle 100/105 A	1	7.	EX-5-440-050	Gouging Shield	1
4.	EX-5-415-051	Nozzle Retaining Cap 100/105 A	1				

CONSUMABLES

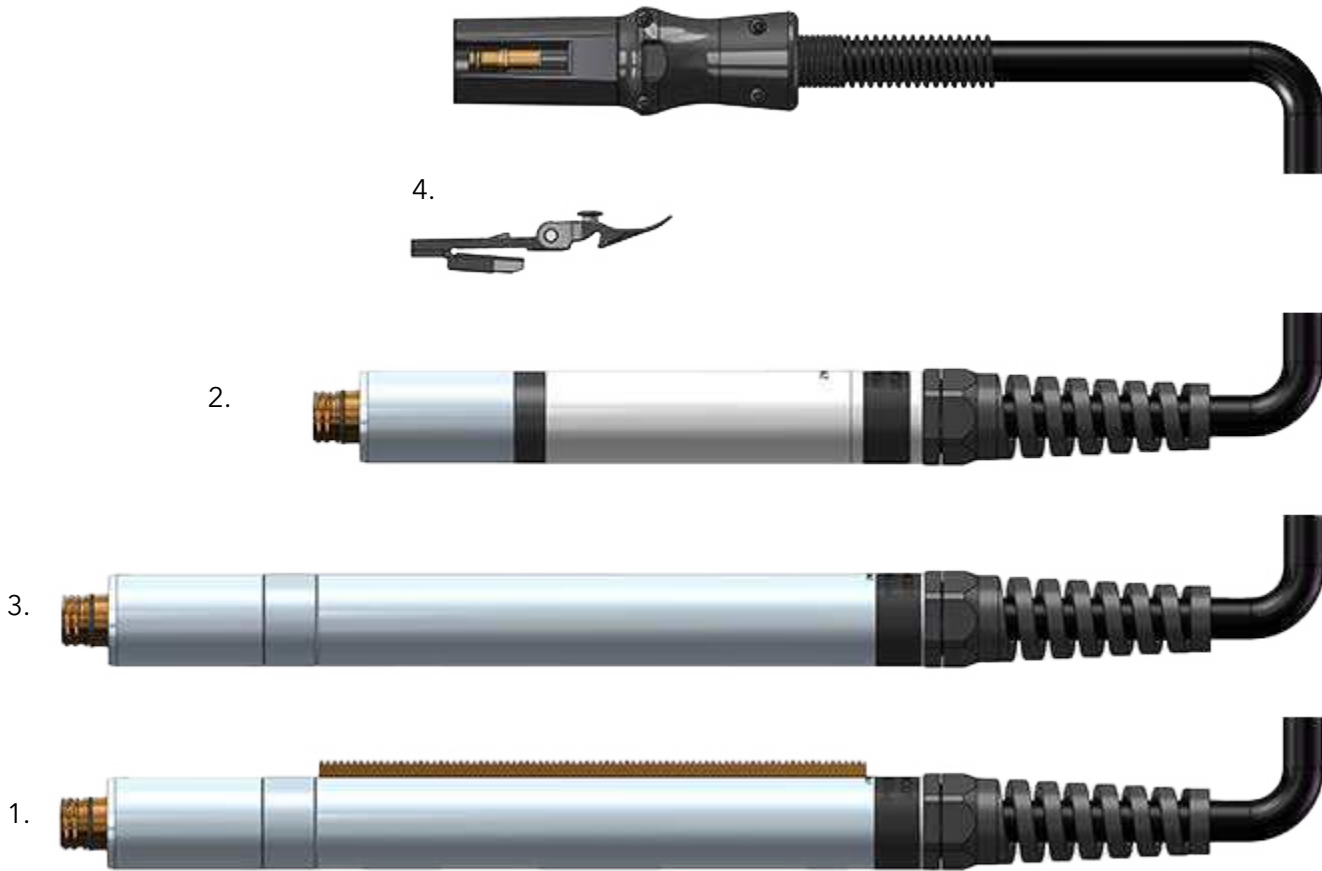
HAND TORCH CONSUMABLES - SMOOTHLINE



Item	Part No.	Description	Pcs
1.	EX-5-404-051	Swirl Ring 45-105 A	1
2.	EX-5-401-051	Electrode 45-105 A (pkg.5pcs)	1
3.	EX-5-410-050	Nozzle Smoothline	1
4.	EX-5-415-050	Nozzle Retaining Cap 45-85 A	1
5.	EX-5-420-050	Hand Shield 40/45 A Smoothline	1

FHT-EX® 105TTM

MACHINE TORCH ASSEMBLY

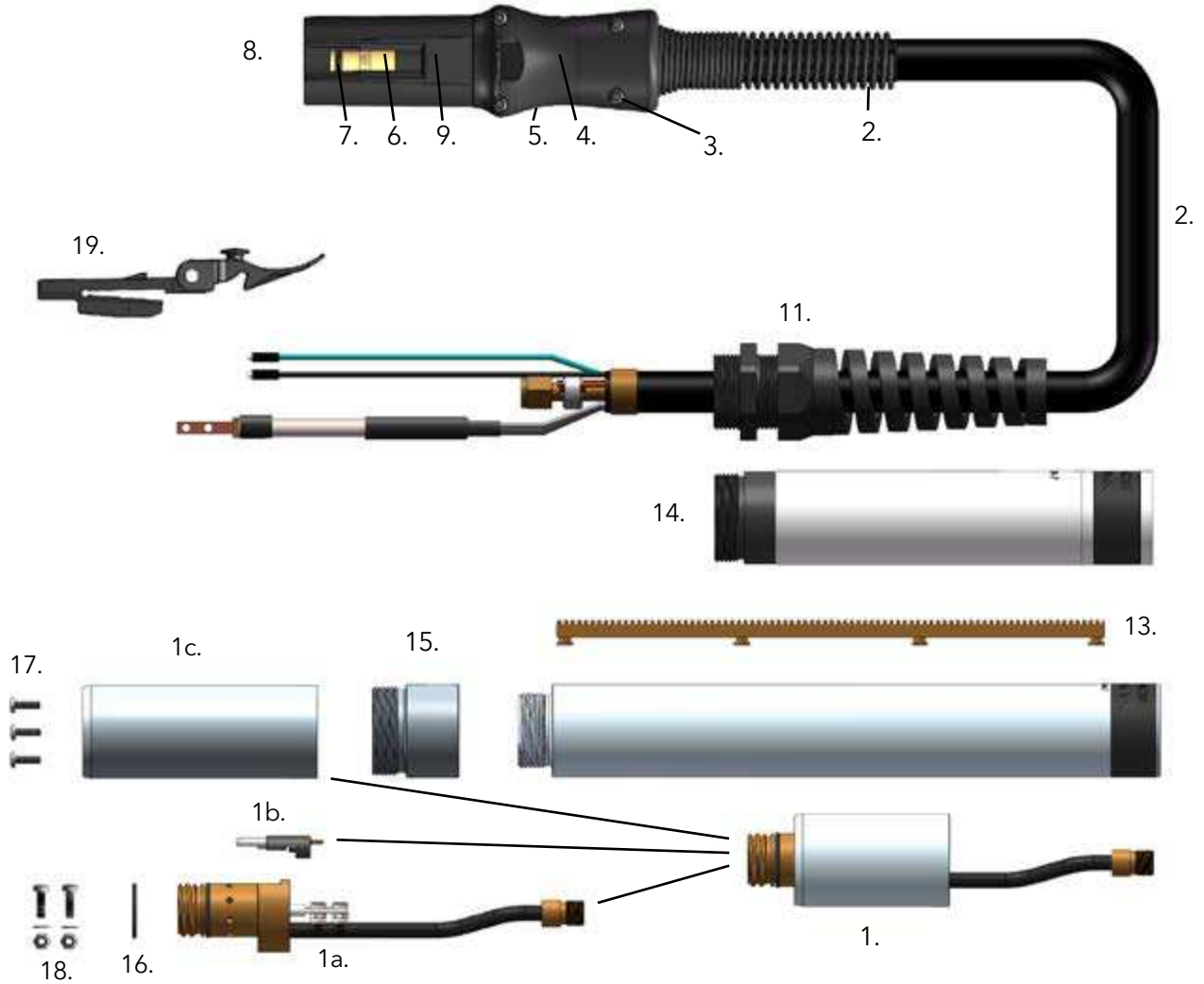


Item	Part No.	Description	Pcs
1.	EX-5-233-020	DEMO FHT-EX®105TTM (STD) Machine Torch w/Rack Assembly/TCS13	1
NS	EX-5-242-021	DEMO FHT-EX®105TTSM Short Machine Torch Assembly/ TCS13	1
2.	EX-5-242-021	FHT-EX®105TTSM Short Machine Torch Assembly-w/o consumables w/5m (16.5') Lead/ TCS13	1
2.	EX-5-244-021	FHT-EX®105TTSM Short Machine Torch Assembly-w/o consumables w/8m (26') Lead/ TCS13	1
2.	EX-5-247-021	FHT-EX®105TTSM Short Machine Torch Assembly-w/o consumables w/15m (50') Lead/ TCS13	1
2.	EX-5-250-021	FHT-EX®105TTSM Short Machine Torch Assembly-w/o consumables w/23m (75') Lead/ TCS13	1
3.	EX-5-202-031	FHT-EX®105TTM M Torch w/o Rack Assy w/o consumables w/5m (16.5')Lead/ TCS13	1
3.	EX-5-204-031	FHT-EX®105TTM M Torch w/o Rack Assy w/o consumables w/8m (26') Lead/ TCS13	1
3.	EX-5-207-032	FHT-EX®105TTM M Torch w/o Rack Assy w/o consumables w/15m (50') Lead/ TCS13	1
3	EX-5-210-034	FHT-EX®105TTM M Torch w/o Rack Assy w/o consumables w/23m (75') Lead/ TCS13	1
⊕	4.	EX-0-321-003 Latch with Key Assembly	1

⊕ LATCH WITH KEY IS NOT CONTENT OF TORCHES ABOVE. IF YOU NEED IT, YOU HAVE TO ORDER SEPARATELY.

FHT-EX® 105TTM

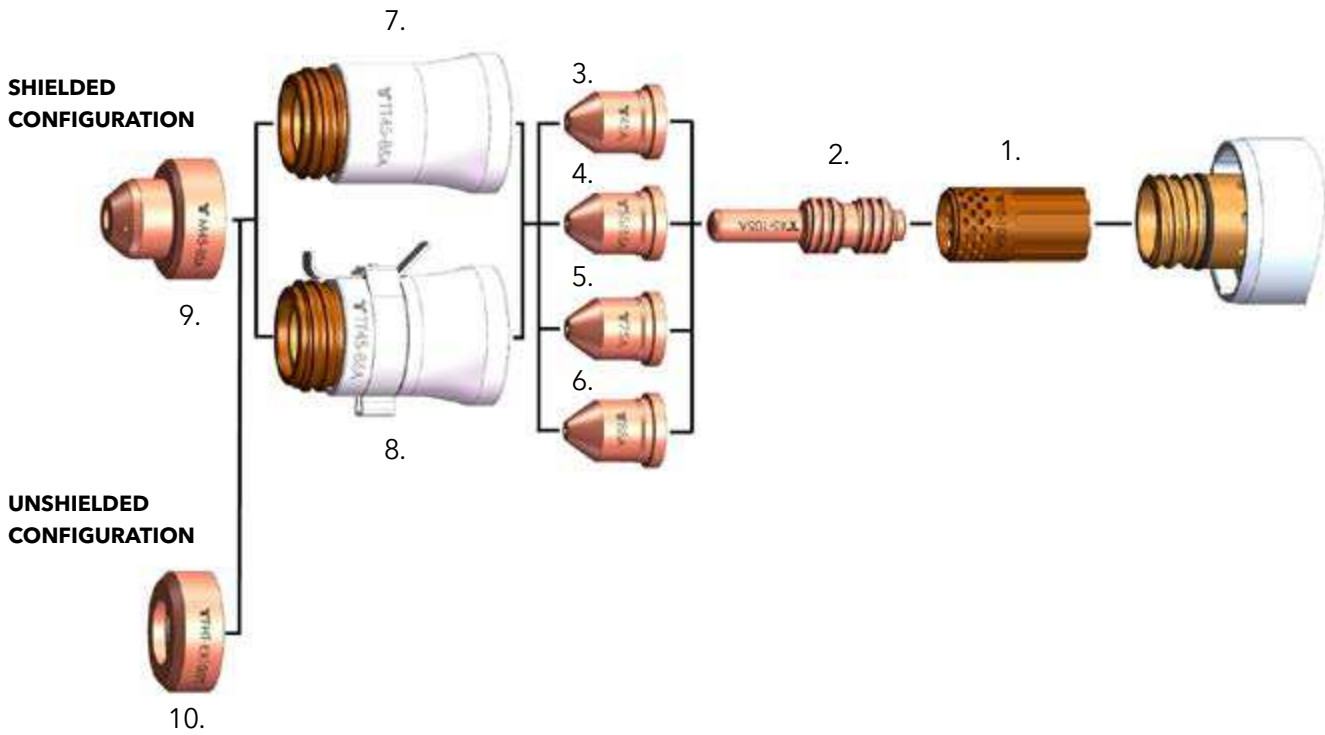
MACHINE TORCH COMPONENTS



Item	Part No.	Description	Pcs	Item	Part No.	Description	Pcs
1.	EX-5-303-011	Machine Torch Body Assembly FHT-EX®105TTM	1	8.	EX-0-325-009	O-Ring (fitted in the TCS plug)	1
1a.	EX-5-303-010	Machine Torch Body FHT-EX®105TTM	1	9.	EX-0-325-005	Male Crimp Pin for TCS Plug	1
1b.	EX-5-304-001	Cap Sensor Replacement Kit with Screws/Machine Torch	1	10.	EX-0-323-001	TCS13 Plug Body	1
1c.	EX-5-306-002	Torch Mounting Sleeve (incl. 3 screws)	1	11.	EX-5-317-021	Machine Torch Strain Relief	1
2.	EX-5-375-010	FHT-EX®105TTM Machine Torch Lead Replacement 5m (16.5')/TCS13	1	12.	EX-5-306-003	Standard Mounting Tube w/o Rack	1
2.	EX-5-375-011	FHT-EX®105TTM Machine Torch Lead Replacement 8m (26')/TCS13	1	13.	EX-5-306-004	Gear Rack	1
2.	EX-5-375-012	FHT-EX®105TTM Machine Torch Lead Replacement 15m (50')/TCS13	1	14.	EX-5-306-009	Short Mounting Tube	1
2.	EX-5-375-013	FHT-EX®105TTM Machine Torch Lead Replacement 23m (75')/TCS13	1	15.	EX-5-306-005	Standard Mounting Tube Reduction Nut	1
3.	EX-5-318-001	TCS Plug Spring Strain Relief	1	16.	EX-5-431-050	O-Ring (fitted on the torch body)	1
4.	EX-0-325-015	TCS Clam Shell Screw Kit (incl. 4 screws)	1	17.	EX-5-372-005	Torch Mounting Screws Kit (incl. 3 screws)	1
5.	EX-0-325-002	TCS Clam Shell Upper	1	18.	EX-5-372-010	Catode Mounting Kit	1
6.	EX-0-325-001	TCS Clam Shell Lower	1	19.	EX-0-321-003	Latch w/Key Assembly	1
7.	EX-0-325-010	Retaining Ring (Outer circlip ring)	1				

CONSUMABLES

STANDARD MACHINE TORCH CONSUMABLES - 45-85 A

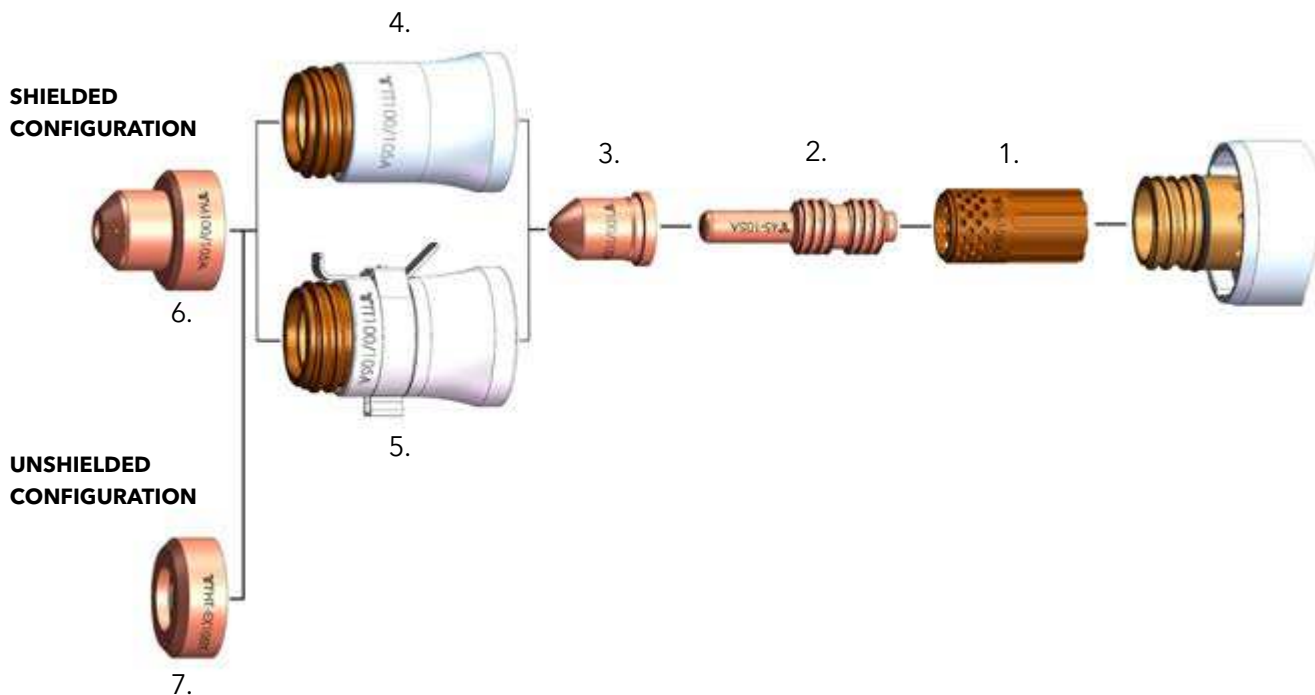


Item	Part No.	Description	Pcs	Item	Part No.	Description	Pcs
1.	EX-5-404-051	Swirl Ring 45-105 A	1	6.	EX-5-410-055	Nozzle 85 A	1
2.	EX-5-401-051	Electrode 45-105 A (pkg.5pcs)	1	7.	EX-5-415-050	Nozzle Retaining Cap 45-85 A	1
3.	EX-5-410-051	Nozzle 45 A	1	8.	EX-5-415-052	Nozzle Retaining Cap 45-85 A w/IHS Tab	1
4.	EX-5-410-053	Nozzle 55/65 A	1	9.	EX-5-422-051	Machine Shield 45-85 A	1
5.	EX-5-410-030	Nozzle 75 A	1	10.	EX-5-423-001	Deflector	1

* IN COUNTRIES FOLLOWING CE STANDARDS, UNSHIELDED CONSUMABLE CONFIGURATION MAY ONLY BE USED IN MECHANIZED TORCH APPLICATIONS.

CONSUMABLES

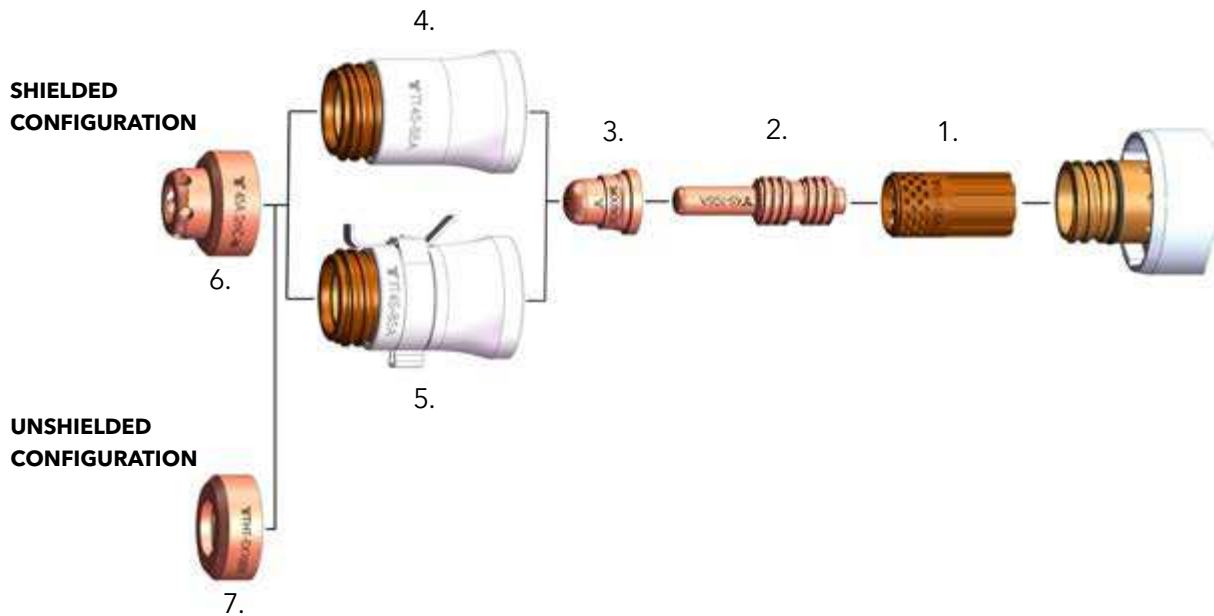
MACHINE TORCH CONSUMABLES - 100-105 A



Item	Part No.	Description	Pcs
1.	EX-5-404-051	Swirl Ring 45-105 A	1
2.	EX-5-401-051	Electrode 45-105 A (pkg. 5pcs)	1
3.	EX-5-410-056	Nozzle 100/105 A	1
4.	EX-5-415-051	Nozzle Retaining Cap 100/105 A	1
5.	EX-5-415-053	Nozzle Retaining Cap 100/105 A w/IHS Tab	1
6.	EX-5-422-052	Machine Shield 100/105 A	1
7.	EX-5-423-001	Deflector	1

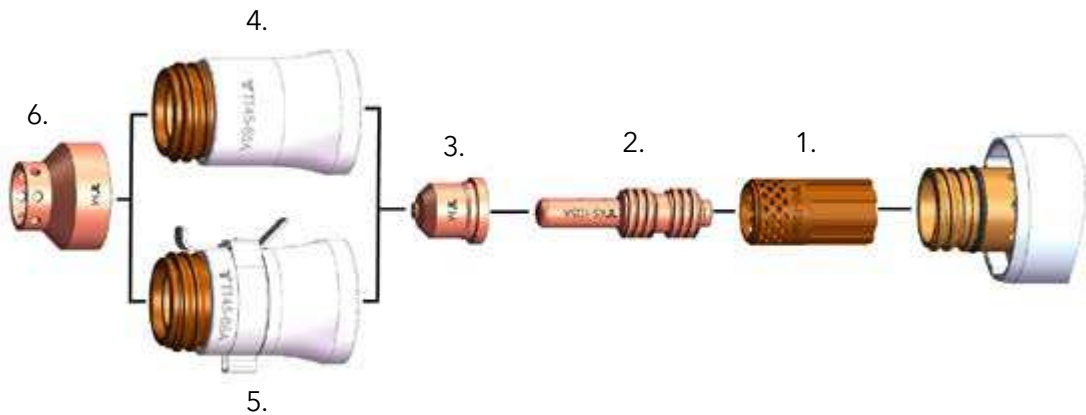
CONSUMABLES

MACHINE TORCH CONSUMABLES - SMOOTHLINE



Item	Part No.	Description	Pcs	Item	Part No.	Description	Pcs
1.	EX-5-404-051	Swirl Ring 45-105 A	1	5.	EX-5-415-052	Nozzle Retaining Cap 45-85 A w/IHS Tab	1
2.	EX-5-401-051	Electrode 45-105 A (pkg.5pcs)	1	6.	EX-5-422-050	Machine Shield 40/45 A Smoothline	1
3.	EX-5-410-050	Nozzle Smoothline	1	7.	EX-5-423-001	Deflector	1
4.	EX-5-415-050	Nozzle Retaining Cap 45-85 A	1				

MACHINE TORCH CONSUMABLES - MARKING



Item	Part No.	Description	Pcs	Item	Part No.	Description	Pcs
1.	EX-5-404-051	Swirl Ring 45-105A	1	4.	EX-5-415-050	Nozzle Retaining Cap 45-85A	1
2.	EX-5-401-051	Electrode 45-105 A (pkg.5pcs)	1	5.	EX-5-415-052	Nozzle Retaining Cap 45-85A w/IHS Tab	1
3.	EX-5-445-001	Marking Nozzle	1	6.	EX-5-445-002	Marking Shield	1