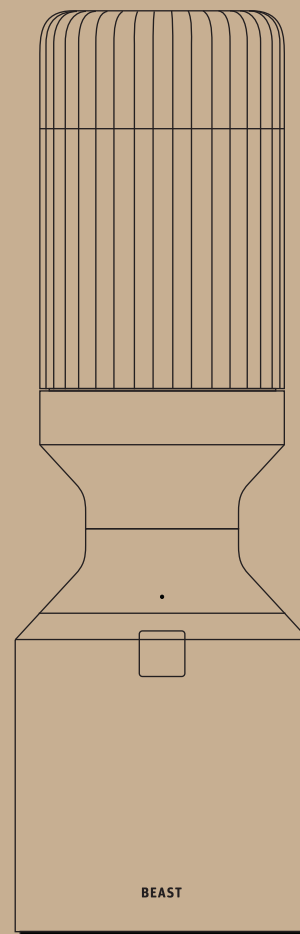


# BLEND

B10 HEALTH BLENDER USER GUIDE

# MALAXAGE

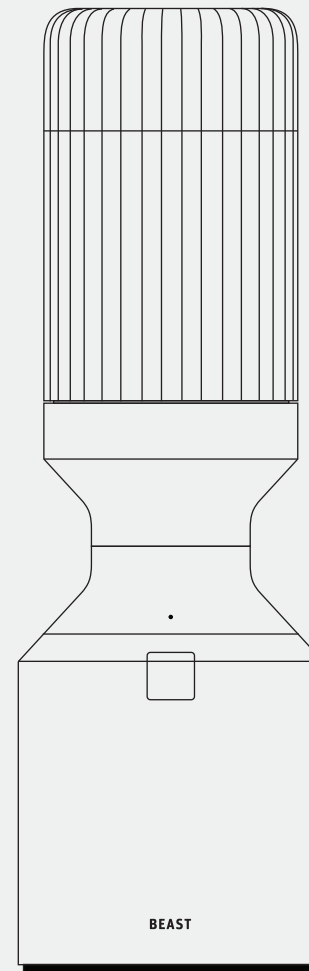
GUÍA PARA EL USUARIO DEL MODELO B10 HEALTH



**BEAST®**

**THIS BOOK COVERS MODEL: B10**

Voltage: 120 VAC | Frequency: 60 Hz | Wattage: Max. 1000 W



**BEAST®**

## **Meet Beast.**

We've always known we were supposed to eat our vegetables.

We've always known we were supposed to drink lots of water.

But didn't...

So we set out to create a blending and hydration system that would make Mom proud.

Beast fuels your body with real food: no processing, no additives, no BS.

From an energy-boosting morning blend, to nutrient-infused hydration throughout the day—and even a blended dessert in the evening—Beast fits seamlessly into your day to make you...

**strong inside.**<sup>TM</sup>

## Contents

Important Safeguards.....	5-8
What's Included.....	9
Before Use.....	10
B10 Blender Light Indicators.....	11-12
How to Use Your B10 Blender.....	13-16
Vessel Fill Example Chart.....	17
Tips & Tricks.....	18
Troubleshooting.....	19-20
Care & Cleaning.....	21
Warranty.....	22

## ⚠️ IMPORTANT SAFEGUARDS

**READ ALL IMPORTANT SAFEGUARDS TO AVOID THE RISK OF SERIOUS INJURY.**

### **FOR HOUSEHOLD USE ONLY**

**WHEN USING ELECTRICAL APPLIANCES, ALWAYS FOLLOW BASIC SAFETY PRECAUTIONS, INCLUDING THE FOLLOWING:**

- To reduce the risk of electric shock, BEAST® BLENDER has a polarized plug (one prong is wider than the other). This plug will fit into a polarized outlet only one way. If the plug does not fit fully into the outlet, reverse the plug. If it still does not fit, contact a qualified electrician to install the proper outlet. DO NOT modify the plug in any way.
- To protect against the risk of electrical shock, do not put cord, plug, or base in water or any other liquid.
- Extension cords are not recommended for use with this product.
- DO NOT abuse the power cord. Never carry the appliance by the power cord or pull on it to disconnect from the electrical outlet. Instead, grasp the plug itself and pull to disconnect.
- DO NOT operate the BEAST® BLENDER with a damaged cord or plug, or after it has been dropped or damaged in any manner. The BEAST® BLENDER has no serviceable parts. Email [help@thebeast.com](mailto:help@thebeast.com) if you have any questions or concerns.
- DO NOT let the power cord hang over the edge of a counter or touch hot surfaces, such as the stove top. Do not place near a hot gas or electric burner.

**TO REDUCE THE RISK OF FIRE, ELECTRIC SHOCK, OR PERSONAL INJURY AND/OR PROPERTY DAMAGE:**

- **BLADES ARE SHARP! HANDLE WITH CARE.** To avoid injury, do not handle or touch any blade edge. Use caution and grasp by the blade assembly.
- To protect against electrical shock, do not submerge the appliance or allow the power cord or blender base to come into contact with water or liquids.
- The BEAST® BLENDER has moving parts. Avoid contact with moving parts. Keep fingers out of the container and away from the blades.
- To reduce the risk of injury, NEVER operate the BEAST® BLENDER without the vessel properly assembled to the blade housing. DO NOT try to defeat the interlock mechanism. Ensure that the vessel is properly installed before operating the appliance.

## ⚠️ IMPORTANT SAFEGUARDS

- Keep hands, hair, clothing, and utensils out of the vessel while powered on to reduce the risk of severe injury to persons and damage to the BEAST® BLENDER. You may use a scraper, but only when the appliance is not running.
- DO NOT operate the BEAST® BLENDER with a damaged blade assembly, if it malfunctions, or has been dropped or damaged in any manner. The BEAST® BLENDER blade assembly has no serviceable parts. Return the appliance to BEAST HEALTH, LLC for examination, replacement, and/or adjustment.
- To reduce the risk of injury, never place the blade assembly on the base without the blending vessel properly attached. Always wait until the motor has stopped completely before removing the blending vessel.
- Remember to **TURN THE POWER SWITCH OFF** when the BEAST® BLENDER is not in use, before assembling or disassembling parts, and before cleaning. You will know that it has successfully turned off when the light goes out. To unplug the BEAST® BLENDER, grasp the plug and pull from the electrical outlet. Never pull from the power cord.
- DO NOT remove the blending vessel from the Blender Base while it is operating. Wait until the motor powers down completely, the blades stop spinning, and the ingredients settle to remove the vessel and then **POWER OFF**.
- **NEVER BLEND HOT INGREDIENTS AND LIQUIDS.** Doing so may cause excessive steam and pressure to build up in the vessel, resulting in the potential risk of the vessel and blender base separating and thereby possibly resulting in personal injury and/or property damage.
- Never operate the unit for longer than one minute. Blade friction for prolonged periods can cause heat and related pressure buildup in a closed vessel, with the danger of personal injury and/or property damage.
- Ensure the ventilation holes on the rear of the blender base are kept clean and never obstructed.
- **NEVER BLEND CARBONATED INGREDIENTS OR RISING AGENTS (LEAVENS) IN THE BEAST® BLENDER.** These ingredients incorporate air bubbles that produce foam and cause breads and cakes to rise. Blending these ingredients may cause excessive pressure buildup in the container and may cause personal injury to the user or property damage. Common leavening agents such as baking powder, baking soda, cream of tartar, cultured or fermented ingredients, egg whites, salt of tartar, whey protein, sea moss, and yeast should not be blended in the BEAST® BLENDER.

**IMPORTANT SAFEGUARDS CONTINUE ON NEXT PAGE → 6**

## ⚠ IMPORTANT SAFEGUARDS

- NEVER store ingredients in the blending vessel with the blade assembly attached, both before and after blending. Some foods may contain active ingredients or release gases that will expand in the container. If the ingredients are left in the sealed container, excessive pressure can build up and pose a risk of personal injury. To safely store ingredients in the container, first remove the lid to allow the blend to rest for a few minutes and allow excess gases to escape. Then use the Storage Lid to cover and store in the refrigerator, which will release any built-up gases daily.
- The BEAST<sup>™</sup> BLENDER should not be used to grind hard spices or beans, as this may cause damage to the blades and/or blending vessels.
- This appliance is not intended for use by persons (including children) with reduced physical, sensory, or mental capabilities, or lack of experience and knowledge, unless they are closely supervised and instructed concerning use of the appliance by a person responsible for their safety. Close supervision is necessary when any appliance is used by or near children. Children should be supervised to ensure that they do not play with the appliance.
- Do not use your BEAST<sup>™</sup> BLENDER under the influence of drugs or alcohol.
- NEVER leave the BEAST<sup>™</sup> BLENDER unattended while in use.
- BEAST<sup>™</sup> accessories are not intended to be used in the microwave, which may result in damage to the accessories.
- ALWAYS use the BEAST<sup>™</sup> BLENDER on a dry, stable, level surface.
- DO NOT use the BEAST<sup>™</sup> BLENDER within 12 inches of the edge of the work surface or counter.
- DO NOT operate the BEAST<sup>™</sup> BLENDER on or near any hot surfaces (such as a gas or electric burner or in a heated oven).
- DO NOT use attachments or accessories (including canning jars) not recommended or sold by the manufacturer with the BEAST<sup>™</sup> BLENDER. Use of these items may result in fire, electric shock, or personal injury. It may also void the warranty.
- DO NOT overfill the blending vessel. Fill only to the MAX line, as ingredients need space to ensure complete and thorough blending and to avoid damaging the motor.
- DO NOT operate the BEAST<sup>™</sup> BLENDER with an empty vessel, as this may cause damage to the motor.
- If the BEAST<sup>™</sup> BLENDER overheats, a thermal switch will activate and shut off the motor. To reset, power off the BEAST<sup>™</sup> BLENDER and let it cool down for approximately one hour before using again.

## ⚠ IMPORTANT SAFEGUARDS

- DO NOT use the BEAST<sup>™</sup> BLENDER for anything other than its intended use.
- DO NOT use the BEAST<sup>™</sup> BLENDER outdoors.
- DO NOT wash the blade assembly in the dishwasher, as extreme heat and harsh detergents may cause damage to these parts. Wash Blending Vessels on the top rack of the dishwasher only.
- DO NOT remove gasket from blade assembly.
- DO NOT remove the trademarks, serial numbers, or bar codes from the BEAST<sup>™</sup> BLENDER.
- DO NOT use the BEAST<sup>™</sup> BLENDER with a voltage or electricity converter.
- DO NOT modify the BEAST<sup>™</sup> BLENDER in any way.
- This appliance has important markings on the plug blade. The attachment plug or entire cordset (if plug is molded onto cord) is not suitable for replacement. If damaged, the appliance should be replaced.

## What's Included

### Parts Included With B10:

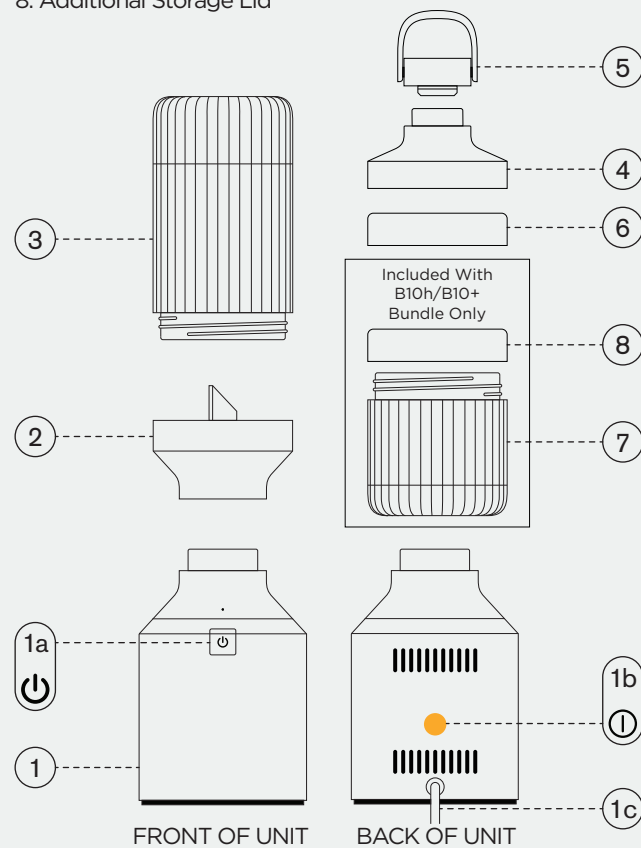
1. B10 Blender Base
  - 1a. Standby Switch on Blender Base
  - 1b. Power Switch on Blender Base
  - 1c. Power Cord on Blender Base
2. Blade Assembly
3. 1000mL Blending Vessel
4. Vessel Drinking Lid
5. Carry Cap
6. Storage Lid

### Parts Included With B10+ Bundle Only:

7. 500mL Blending Vessel
8. Additional Storage Lid



Looking for more accessories, scan code to build out your Beast!



## ⚠ Before Use

**Before using the product for the first time, disassemble and wash as follows:**

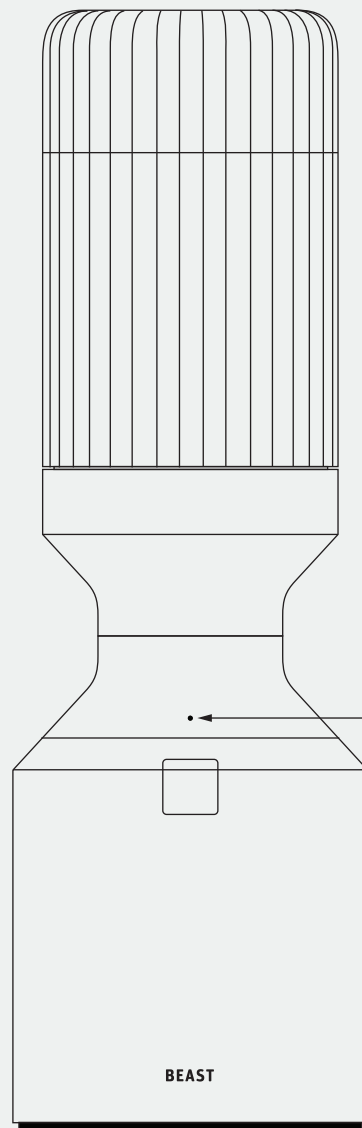
1. Remove the Blade Assembly (2) from the Blending Vessel (3) by turning the Blade Assembly (2) counterclockwise.

**CAUTION:** Use caution when handling the Blade Assembly, as blades are extremely sharp.

2. Hand wash all parts except the B10 Blender Base (1) and Power Cord (1c) in warm, soapy water. Rinse and dry thoroughly.

**NOTICE:** Do not immerse the B10 Blender Base (1) or Power cord (1c) in water or other liquids. Do not place the Blender Base or Blade Assembly into a dishwasher or extremely hot water. Do not use abrasive cleaners to clean any part of the product.

## B10 Blender Light Indicators



## B10 Blender Light Indicators (Cont)

LED BEHAVIOR	MEANING
● Light Off	Unit Off
☀ Amber - Solid	Unit On, No Blade and/or Vessel Connected
☀ White - Solid	Unit On, Ready to Blend
☀ Green - Solid	Unit On, Blending In Progress
☀ Amber - Flashing	Motor Overload
☀ Red - Flashing	Vessel Contents Too Hot to Safely Blend



## Blending Features

There are two blending features on your Beast Blender

### 1. Blend Cycle

The 1-minute timed blend cycle is intelligently programmed to efficiently blend your ingredients. Best for: This method is best for blending smoothies, sauces, dips, cocktails, and spreads.

### 2. Pulse Cycle

The Pulse Cycle allows you to have control over chopping, grinding and pulsing your ingredients while keeping them whole without emulsifying.

**Best for:** This method is particularly useful for grinding coffee beans, making chunky salsa, chopping onions, and adding chunks of ingredients to an already smooth mixture for texture.

**Tip:** Use this Cycle for your Hydration System (sold separately and available with B10+ bundles).

## How to Use Your B10 Blender

1. Plug the B10 Blender Base into a standard 120-volt AC electrical outlet.

2. Press the orange power switch at rear of Blender Base to turn ON power to the Blender Base.

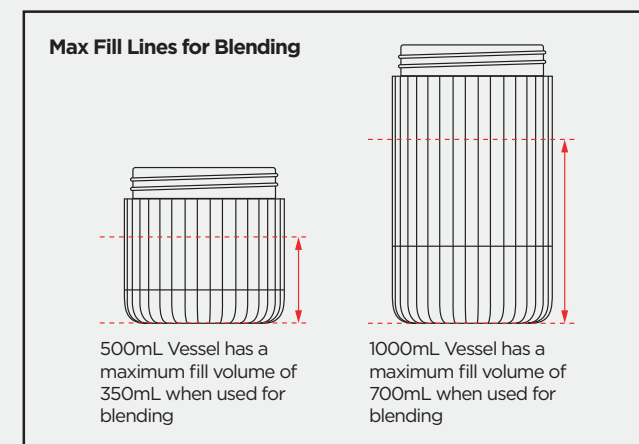
3. Fill the Blending Vessel with food contents. Chop any large ingredients into small pieces to help prevent overloading the motor. Your Blender Vessel should contain at least 1/3 liquid for best results.

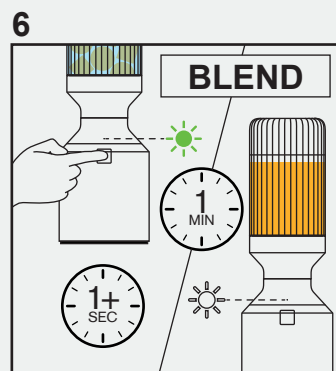
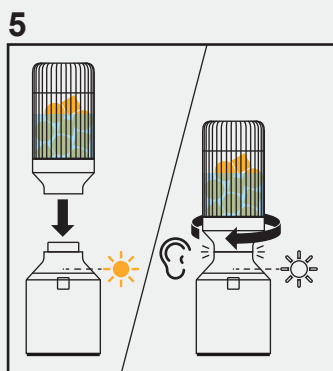
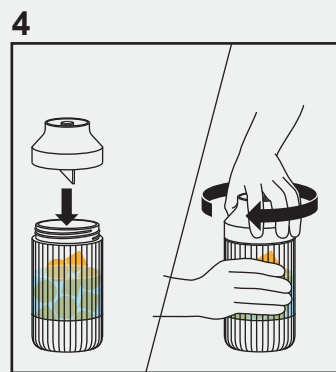
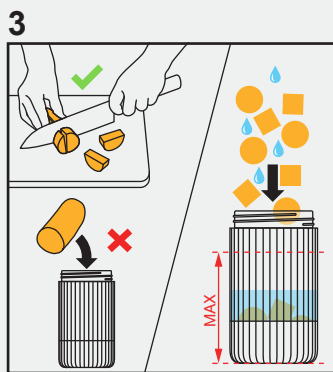
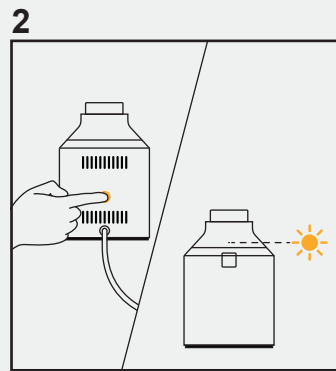
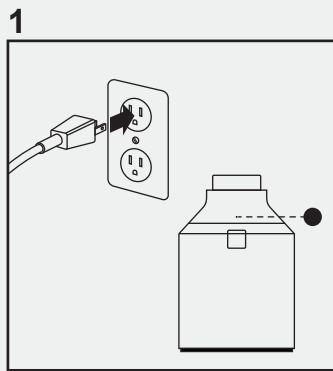
**Pro Tip:** Refer to “The Perfect Blend” insert card for helpful filling information.

4. Attach the Blade Assembly to the Blending Vessel by turning the Blade Assembly clockwise until firmly secured to the Blade Assembly.

5. Mount the Blending Vessel with Blade Assembly onto the Blender Base by twisting clockwise until the Blade Assembly clicks into place.

6. Press the Standby Switch for >1 second to begin the timed blend cycle OR Press the Standby Switch for <1 second to manually pulse the blades.





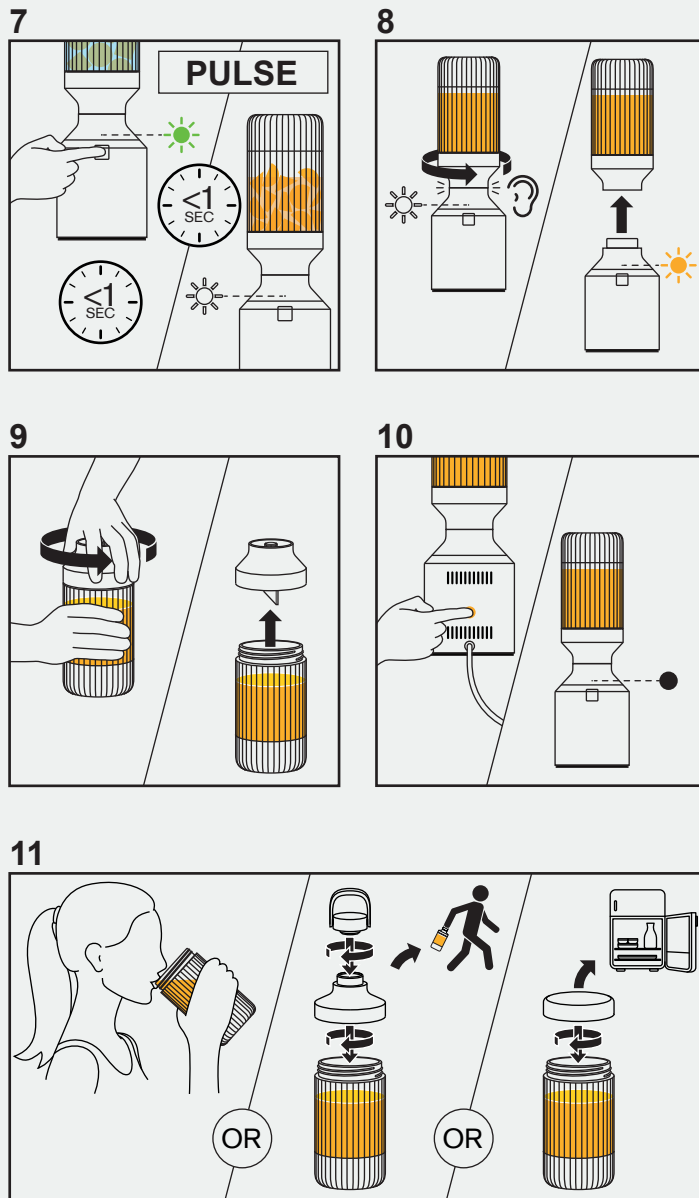
## How to Use Your B10 Blender (Cont)

7. Once unit has completed blending cycle and light has changed from Green to White, unmount the Blending Vessel with Blade Assembly from the Blender Base by twisting counter-clockwise.

8. Remove the Blade Assembly from the Blending Vessel by turning the Blade Assembly counter-clockwise until the Blade Assembly can be removed.

9. Press the Power Switch at rear of Blender Base to turn OFF power to the unit.

10. Drink blend directly from the Blend Vessel, add the Vessel Drinking Lid and Carry Cap to take your blend on-the-go, or use the Storage Lid to blend for later in the refrigerator.



## Vessel Fill Example Chart

The below chart provides examples of ingredient types, amounts, and time required to blend/grind in each vessel.

	TYPE LOAD	ATTACHMENT	CAPACITY	OPERATING TIME
<b>BLENDING</b>	Carrots & Water	1000mL Blending Vessel (700mL Max Fill) with Blade Assembly	280g Carrots 420g Water	60s
<b>GRINDING</b>	Wheat, Rice, Corn	1000mL Blending Vessel (700mL Max Fill) with Blade Assembly	600g	60s
<b>BLENDING</b>	Carrots & Water	500mL Blending Vessel (350mL Max Fill) with Blade Assembly	140g Carrots 210g Water	60s
<b>GRINDING</b>	Coffee Beans, Spices	500mL Blending Vessel (350mL Max Fill) with Blade Assembly	100g	20s

## Tips & Tricks

### Shake Method to Loosen Stuck Ingredients

*When blending tough foods, large ingredients, or with a limited amount of liquid in the vessel, the contents of the Blending Vessel may become stuck and require a manual method of freeing up the contents in order to continue blending.*

1. Remove the Blade Assembly with Blending Vessel from the Blender Base.
2. With the Blade Assembly and Blending Vessel in hand, shake it up and down thoroughly.
3. Reattach to the Blender Base to finish blending.

### How to Crush Frozen Fruit

*Pulsing is a useful way to coarsely chop ingredients without totally emulsifying them.*

1. Pulse 5-7 times to chop up and soften ingredients, and then use the full Blend Cycle
2. Make sure your blend has at least 1/3 liquid as this is the optimal ratio for the best blending experience!

## Troubleshooting

Please refer to LED Light Behavior in the “Using Your B10 Blender” section.

- If the LED light indicator displays:  **No Visible Light**

**That Means:** Your blender unit is not powered on.

**Try:** Make sure that the Blender Base is plugged into a functioning standard 120-volt AC electrical outlet. Then power ON the unit by pressing the Power Switch at the back of the unit.

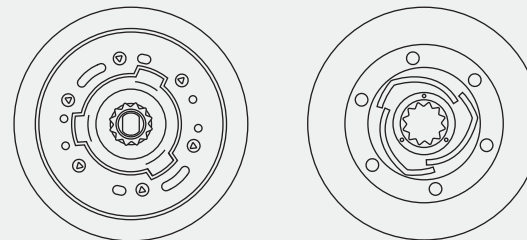
- If the LED light indicator displays:  **Solid-Amber Color Light**

**That Means:** Your blender unit is powered on, but the Blade Assembly and/or Blending Vessel is not properly connected.

**Try:** Confirm that the Blade Assembly is firmly threaded onto the Blending Vessel. Then confirm that the Blade Assembly and Blending Vessel are twisted onto the base until it clicks into place and the LED indicator displays a Solid-White color light.

Then:

1. If the light is still flashing amber, press the orange switch button on the back of the base to turn off the blender and unplug for 24 hours to reset the unit.
2. While the unit is unplugged from the outlet, use a damp towel to wipe down the contact points on the base of the unit and blade assembly. Reference below diagram for contact points on blender base.
3. Finally, use a dry towel to wipe down the contact points to ensure it is completely dry and ready to be connected.



## Troubleshooting

• **If the LED light indicator displays:  
Flashing-Amber Color Light**



**That Means:** The motor is overloaded.

**Try:** Power OFF the unit by pressing the Power Switch on the back of the unit. Wait 30 seconds for the unit to reset.

Then:

1. If the contents of the Blending Vessel appear to be stuck in place, perform the “Shake Method” listed in the “Tips & Tricks” section to free up the ingredients before continuing blending.
2. If the Blending Vessel is filled beyond the Max Fill line, remove the Blade Assembly from the Blending Vessel. Remove enough contents to bring the fill level down to or below the Max Fill line. Then go to step 4 of the “How to Use Your B10 Blender” section to continue blending.
3. If the LED light indicator continues to display a Flashing Amber light, the motor itself may be overheated and will require time to cool down. Power OFF the unit, and allow to cool for one hour before attempting to blend again.

## Troubleshooting

**If the Blade Assembly is stuck on the Blending Vessel after blending:**

**That Means:** Your Blade Assembly may not be screwed on tightly, which will cause the ingredients to spill into the threading at the beginning of the blending cycle.

**Try:**

1. Let the Blending Vessel and the Blade Assembly sit in the fridge overnight - try to detach once it is very cool.
2. After removing from the fridge, try to run hot water over the area where the threads to expand the materials to make it easier to loosen the Assembly Blade.
3. You may also try lightly tapping the threaded part of the vessel + blade at an angle on the countertop to loosen the blade. This may be unconventional but it works like a charm!

## Troubleshooting

• **If the LED light indicator displays:  
Flashing-Red Color Light**



**That Means:** The contents of the Blending Vessel are too hot to safely blend.

**Try:**

1. Power OFF the unit by pressing the Power Switch on the back of the unit. Wait for 30 seconds for the unit to reset before powering back on.
2. Make sure that the contents of the Blending Vessel are at or below room temperature before continuing to blend.

• **If your Beast Blender motor sounds like it is laboring and blending is not efficient**

**That Means:** Your Blending Vessel may be overfilled, or Blending Vessel contents may be stuck.

**Try:**

1. If the contents of the Blending Vessel appear to be stuck in place, perform the “Shake Method” listed in the “Tips & Tricks” section to free up the ingredients before continuing blending.
2. If the Blending Vessel is filled beyond the Max Fill line, remove the Blade Assembly from the Blending Vessel. Remove enough contents to bring the fill level down to or below the Max Fill line. Then go to step 4 of the “How to Use Your B10 Blender” section to continue blending.

If you are still not able to get your unit working properly, please reach out to [help@thebeast.com](mailto:help@thebeast.com) and we will be happy to help you.

## Care & Cleaning

**CAUTION:** Always ensure the product is unplugged from the electrical outlet before relocating, assembling, disassembling, or cleaning it.

- Clean the product (as instructed under the "Before Use" section) immediately after each use.
- Use the Beast Cleaning Brush (sold separately) after each use. Use the main cleaning head to clean larger items, and use the detailing tool to clean around the gasket on the Blade Assembly to remove particles of food lodged underneath the blades after each use.
- Rinse Blade Assembly under tap water to clean, using a soapy sponge if necessary. Do not place the Blade Assembly in the dishwasher. Dry the Blade Assembly on a drying rack.
- For a deeper wash, place Blending Vessels on the top rack of the dishwasher only.
- Never remove the gasket from the Blade Assembly.
- Clean Blender Base periodically with a damp towel or sponge.
- Once a week, make a simple blend in a vessel with 2/3 of water and a couple drops of dish soap on the Blend Cycle.
- Once a month, clean the vessel with 1/2 vinegar and 1/2 water. Let it sit in the vessel for 30 minutes, and then let it run on a Blend Cycle. Finish the process by using Beast Cleaning Brush on the Blade Assembly and Blending vessel.
- Make sure all components are completely dry before assembling and storing as any damp residue can result in foul smells.
- Store the product in a cool, dry place.

**PLEASE NOTE:** The White and Grey colored components are susceptible to staining, and should not come in direct contact with ingredients prone to causing stains, such as: turmeric, beets, carrots, or other bright colored ingredients. If these ingredients do come in contact with light-colored components, immediately follow the cleaning instructions listed above.

## Warranty

### BEAST BLENDER 2-YEAR LIMITED WARRANTY

This warranty applies to Beast Health, LLC authentic products purchased and used in the United States and Canada. This is the only express warranty for this product and is in lieu of any other warranty or condition.

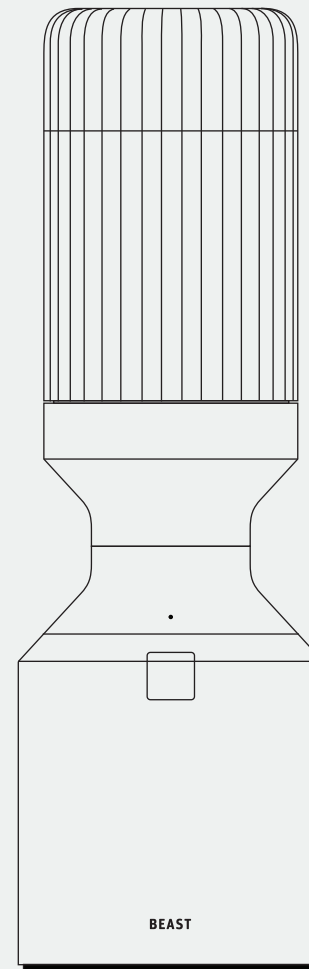
This product is warranted to be free from defects in material and workmanship for a period of two (2) years from date of purchase in the USA or Canada and comes with the product at no extra charge. Proof of purchase must be provided. During this period, your exclusive remedy is repair or replacement of this product or any component found to be defective, at our discretion. However, you are responsible for all shipping and processing costs associated with returning the product to us and our return of a replacement, product, or component under this warranty to you. If the product or component is no longer available, we will replace it with a similar one of equal or greater value. This limited warranty is void and invalid if the unit has been damaged by abuse or misuse, if the product has not been maintained properly, and if safeguards or warnings have not been followed.

We exclude all claims for special, incidental, and consequential damages caused by breach of express or implied warranty. We exclude normal wear and tear. This limited warranty applies to consumer use only. All liability is limited to the amount of the purchase price. **Every implied warranty, including any statutory warranty or condition of merchantability or fitness for a particular purpose, is disclaimed except to the extent prohibited by law, in which case such warranty or condition is limited to the duration of this written warranty.** This warranty gives you specific legal rights. You may have other legal rights that vary depending on where you live. Some states or provinces do not allow limitations on implied warranties or special, incidental, or consequential damages, so the foregoing limitations may not apply to you.

To make a warranty claim, do not return this appliance to the store. Instead, email [help@thebeast.com](mailto:help@thebeast.com). For faster service, locate the model, type, and series numbers on your appliance.

**ESTE LIBRO ES PARA EL MODELO: B10**

Voltaje: 120 VCA | Frecuencia: 60 Hz | Vatios: Máx. 1000 W



**BEAST®**

## **Le presentamos a Beast.**

Siempre supimos que debíamos comer nuestras verduras.

Siempre supimos que debíamos beber mucha agua.

Pero yo no lo hacía...

En consecuencia, decidimos crear un sistema de licuado e hidratación para que mamá se sienta orgullosa.

Beast aporta alimentos verdaderos al cuerpo: sin procesar, sin aditivos, sin mentiras.

Desde un licuado matinal para obtener energía hasta una hidratación llena de nutrientes a lo largo del día, e incluso un postre licuado por la tarde, Beast encaja en su jornada de manera ideal para que sea...

# **fuerte por dentro.**<sup>TM</sup>



## Contenido

Indicaciones de protección importantes.....	5-8
Qué se incluye.....	9
Antes del uso.....	10
Indicadores luminosos de la licuadora B10.....	11-12
Cómo utilizar la licuadora B10.....	13-16
Tabla con ejemplos de llenado del vaso.....	17
Sugerencias y trucos.....	18
Resolución de problemas.....	19-20
Cuidado y limpieza.....	21
Garantía.....	22

## INDICACIONES DE PROTECCIÓN IMPORTANTES

**LEA TODAS LAS INDICACIONES DE PROTECCIÓN IMPORTANTES PARA EVITAR EL RIESGO DE LESIONES GRAVES.**

### **PARA USO DOMÉSTICO ÚNICAMENTE**

**AL UTILIZAR APARATOS ELÉCTRICOS, SIGA SIEMPRE LAS PRECAUCIONES BÁSICAS DE SEGURIDAD, INCLUIDAS LAS SIGUIENTES:**

- Para reducir el riesgo de descargas eléctricas, la LICUADORA BEAST<sup>™</sup> tiene un enchufe polarizado (una pata es más ancha que la otra). Este enchufe encajará en una toma polarizada únicamente de una manera. Si el enchufe no encaja completamente en la toma, inviértalo. Si aún no encaja, comuníquese con un electricista cualificado para instalar la toma correcta. NO modifique el enchufe de ningún modo.
- Como protección contra el riesgo de descargas eléctricas, no ponga el cable, el enchufe ni la base en agua ni en ningún otro líquido.
- No se recomienda el uso de cables prolongadores con este producto.
- NO abuse del cable de alimentación. Nunca traslade el aparato por el cable de alimentación ni tire del cable de alimentación para desconectarlo de la toma de electricidad. Debe tomar el enchufe y tirar de él para desconectarlo.
- NO opere la LICUADORA BEAST<sup>™</sup> con un cable o enchufe dañados, ni después de que se haya caído o dañado de cualquier modo. La LICUADORA BEAST<sup>™</sup> no tiene piezas a las que pueda darse servicio. Escriba a [help@thebeast.com](mailto:help@thebeast.com) si tiene alguna pregunta o inquietud.
- NO permita que el cable de alimentación cuelgue sobre el borde de la encimera ni que esté en contacto con superficies calientes, como la parte superior de la cocina. No lo coloque cerca del gas caliente ni de un quemador eléctrico.

### **PARA REDUCIR EL RIESGO DE INCENDIOS, DESCARGAS ELÉCTRICAS O LESIONES PERSONALES Y DAÑOS MATERIALES:**

- ¡LAS HOJAS DE LA CUCHILLA SON FILOSAS! TENGA CUIDADO AL MANIPULAR. Para evitar lesiones, no manipule ni toque los bordes de las hojas de la cuchilla. Tenga precaución y sujete por el conjunto de la cuchilla.
- Como protección contra las descargas eléctricas, no sumerja el aparato ni permita que el cable de alimentación o la base de la licuadora entren en contacto con agua o líquidos.
- La LICUADORA BEAST<sup>™</sup> tiene piezas móviles. Evite el contacto con las piezas móviles. Mantenga los dedos fuera del recipiente y alejados de las hojas de la cuchilla.
- Para reducir el riesgo de lesiones, NUNCA opere la LICUADORA BEAST<sup>™</sup> sin el vaso ensamblado correctamente en el alojamiento de las cuchillas. NO intente alterar el mecanismo de interbloqueo. Asegúrese de que el vaso esté instalado correctamente antes de operar el aparato.

## INDICACIONES DE PROTECCIÓN IMPORTANTES

- Mantenga las manos, el cabello, la ropa y los utensilios fuera del vaso cuando el aparato esté encendido para reducir el riesgo de lesiones personales graves y daños en la LICUADORA BEAST<sup>™</sup>. Es posible utilizar un elemento para raspar, pero únicamente cuando el aparato no está en funcionamiento.
- NO opere la LICUADORA BEAST<sup>™</sup> con un conjunto de la cuchilla dañado, si funciona inadecuadamente o si se cayó o dañó de cualquier modo. El conjunto de la cuchilla de la LICUADORA BEAST<sup>™</sup> no tiene piezas a las que pueda darse servicio. Regrese el aparato a BEAST HEALTH, LLC para que lo examinemos, reemplacemos o ajustemos.
- Para reducir el riesgo de lesiones, nunca coloque el conjunto de la cuchilla en la base sin que el vaso esté conectado correctamente. Siempre espere que el motor se haya detenido por completo antes de retirar el vaso.
- Recuerde APAGAR EL APARATO DESDE EL INTERRUPTOR DE ALIMENTACIÓN cuando la LICUADORA BEAST<sup>™</sup> no esté en uso, antes de ensamblar o desmontar piezas y antes de limpiarlo. Sabrá que el aparato se apagó correctamente cuando la luz se apague. Para desenchufar la LICUADORA BEAST<sup>™</sup>, tome el enchufe y tire para retirarlo de la toma de electricidad. Nunca tire del cable de alimentación.
- NO retire el vaso de la base de la licuadora cuando el aparato esté en funcionamiento. Espere que el motor se apague del todo, que las hojas de la cuchilla dejen de girar y que los ingredientes se asienten para retirar el vaso. A continuación, APAGUE EL APARATO.
- **NUNCA LICUE INGREDIENTES NI LÍQUIDOS CALIENTES.** Si lo hace, pueden producirse un vapor excesivo y la acumulación de presión en el vaso, con el potencial riesgo de que el vaso y la base de la licuadora se separen, lo que puede resultar en lesiones personales y daños materiales.
- Nunca opere la unidad durante más de un minuto. La fricción de la cuchilla durante periodos prolongados puede provocar calor y la acumulación de presión relacionada en el vaso cerrado, con peligro de lesiones personales y daños materiales.
- Asegúrese de que los orificios de ventilación de la parte posterior de la base de la licuadora permanezcan limpios y nunca tengan obstrucciones.
- **NUNCA LICUE INGREDIENTES GASIFICADOS NI AGENTES PARA ELEVAR (LEVADURAS) EN LA LICUADORA BEAST<sup>®</sup>.** Estos ingredientes incorporan burbujas de aire que producen espuma y hacen que los panes y los pasteles se eleven. Si se licuan estos ingredientes, puede acumularse una presión excesiva en el recipiente, lo cual puede provocar lesiones personales al usuario o daños materiales. No deben licuarse levaduras comunes ni polvo para hornear, bicarbonato de sodio, cremor tártaro, ingredientes cultivados o fermentados, clara de huevo, sal hartshorn, proteína de suero ni musgo marino en la LICUADORA BEAST<sup>™</sup>.

**LAS INDICACIONES DE PROTECCIÓN IMPORTANTES CONTINÚAN EN LA PRÓXIMA PÁGINA**

## INDICACIONES DE PROTECCIÓN IMPORTANTES

- NUNCA guarde ingredientes en el vaso con el conjunto de la cuchilla colocado, ni antes ni después de licuarlos. Algunos alimentos pueden contener ingredientes activos o liberar gases que se expandirán en el recipiente. Si se dejan los ingredientes en el recipiente sellado, es posible que se acumule una presión excesiva, lo que representa el riesgo de sufrir lesiones personales. Para guardar de manera segura ingredientes en el recipiente, en primer lugar retire la tapa para permitir que el licuado repose unos minutos y que escapen los gases excesivos. A continuación, utilice la tapa de almacenamiento y guárdelo en el refrigerador. Así, los gases acumulados se liberarán a diario.
- La LICUADORA BEAST™ no debe utilizarse para moler especias duras ni frijoles. Esto podría provocar daños en las hojas de la cuchilla o en el vaso.
- Este aparato no está destinado para que lo utilicen personas (incluidos niños) con capacidades físicas, sensoriales o mentales reducidas, o falta de experiencia y conocimientos, a no ser que cuenten con una supervisión cercana y que una persona responsable por su seguridad las instruya en relación con la utilización del aparato. Es necesaria una supervisión cercana cuando cualquier aparato es utilizado por niños o en la proximidad de niños. Debe supervisarse a los niños para asegurar que no jueguen con el aparato.
- No utilice la LICUADORA BEAST™ bajo la influencia de drogas o alcohol.
- NUNCA deje de prestar atención a la LICUADORA BEAST™ cuando esté en uso.
- Los accesorios BEAST™ no deben utilizarse en el microondas. Esto podría resultar en daños en los accesorios.
- SIEMPRE utilice la LICUADORA BEAST™ en una superficie seca, estable y nivelada.
- NO utilice la LICUADORA BEAST™ a menos de 12 pulgadas del borde de la superficie de trabajo o de la encimera.
- NO opere la LICUADORA BEAST™ en ninguna superficie caliente ni cerca en su proximidad (como en el caso de las hornallas a gas o eléctricas, o de un horno caliente).
- NO utilice elementos conectados ni accesorios (como frascos para guardar) que no sean recomendados o vendidos por el fabricante con la LICUADORA BEAST™. La utilización de estos elementos conectados o accesorios puede resultar en incendios, descargas eléctricas o lesiones personales. También puede anular la garantía.
- NO llene el vaso en exceso. Llene el vaso solo hasta la línea MÁX. Es necesario que los ingredientes tengan espacio para asegurar un licuado completo y exhaustivo, y para evitar daños en el motor.
- NO opere la LICUADORA BEAST™ con el vaso vacío. Esto podría provocar daños en el motor.
- Si la LICUADORA BEAST™ se sobrecalienta, se activará un interruptor térmico que apagará el motor. Para restablecer la LICUADORA BEAST™, apáguela y déjela enfriar durante aproximadamente una hora antes de volver a utilizarla.

## INDICACIONES DE PROTECCIÓN IMPORTANTES

- NO utilice la LICUADORA BEAST™ para ningún uso que no sea el previsto.
- NO utilice la LICUADORA BEAST™ al aire libre.
- NO lave el conjunto de la cuchilla en el lavavajillas. El calor extremo y los detergentes intensos pueden provocar daños en estas piezas. Lave el vaso de la licuadora en el bastidor superior del lavavajillas.
- NO retire la junta del conjunto de la cuchilla.
- NO retire las marcas, los números de serie ni los códigos de barras de la LICUADORA BEAST™.
- NO utilice la LICUADORA BEAST™ con ningún convertidor de voltaje o electricidad.
- NO modifique la LICUADORA BEAST™ de ningún modo.
- Este aparato tiene marcas importantes en la pata del enchufe. No pueden reemplazarse el enchufe de conexión ni el conjunto del cable (si el enchufe está moldeado en el cable). Si se producen daños, debe reemplazarse el aparato.

## Qué se incluye

### Piezas que se incluyen con B10:

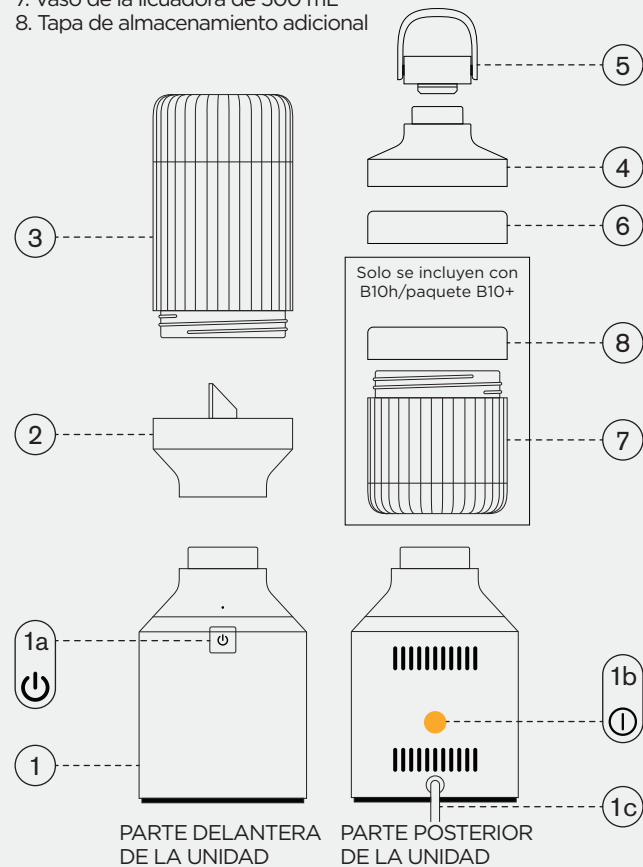
1. Base de la licuadora B10
  - 1a. Interruptor de espera de la base de la licuadora
  - 1b. Interruptor de alimentación de la base de la licuadora
  - 1c. Cable de alimentación de la base de la licuadora
2. Conjunto de la cuchilla
3. Vaso de la licuadora de 1000 mL
4. Tapa para beber del vaso
5. Tapa de traslado
6. Tapa de almacenamiento

### Piezas que se incluyen solo con el paquete B10+:

7. Vaso de la licuadora de 500 mL
8. Tapa de almacenamiento adicional



¿Busca más accesorios?  
¡Escanee el código para crear su propia Beast!



## ⚠ Antes del uso

### Antes de utilizar el producto por primera vez, desmóntelo y lávelo de la manera siguiente:

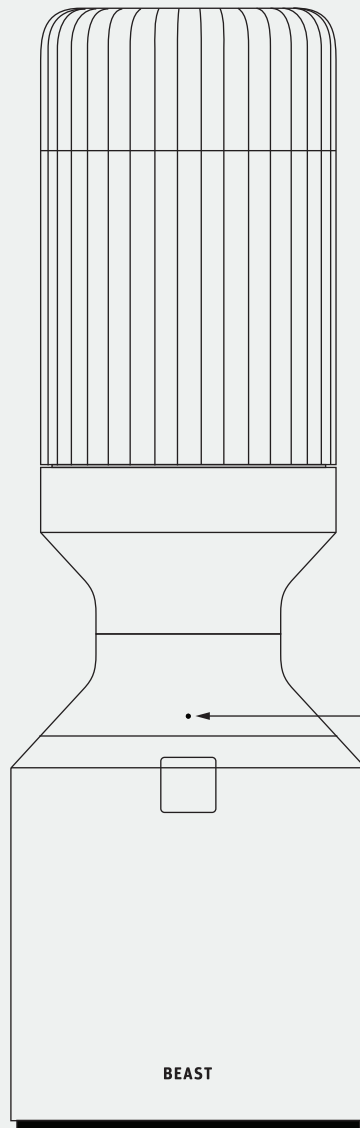
1. Extraiga el conjunto de la cuchilla (2) del vaso (3). Para ello, gire el conjunto de la cuchilla (2) en sentido antihorario.

**PRECAUCIÓN:** Tenga precaución al manipular el conjunto de la cuchilla, ya que las hojas son extremadamente filosas.

2. Lave todas las piezas con la mano, excepto la base de la licuadora B10 (1) y el cable de alimentación (1c), en agua jabonosa tibia. Enjuáguelas y séquelas bien.

**AVISO:** No sumerja la base de la licuadora B10 (1) ni el cable de alimentación (1c) en agua ni en ningún otro líquido. No coloque la base de la licuadora ni el conjunto de la cuchilla en el lavavajillas ni en agua extremadamente caliente. No utilice limpiadores abrasivos para limpiar ninguna pieza del producto.

## Indicadores luminosos de la licuadora B10



## Indicadores luminosos de la licuadora B10 (cont.)

ESTADO DE LA LUZ LED	SIGNIFICADO
● Luz apagada	Unidad apagada
☀ Ámbar, fija	Unidad encendida, la cuchilla o el vaso no están conectados
☀ Blanco, fija	Unidad encendida, lista para licuar
☀ Verde, fija	Unidad encendida, licuando
☀ Ámbar, parpadeante	Sobrecarga del motor
☀ Rojo, parpadeante	Contenido del vaso demasiado calientes para licuar de manera segura

## Funciones de licuado

La licuadora Beast incluye dos funciones

### 1. Ciclo de licuado

El ciclo de licuado temporizado de 1 minuto está programado de manera inteligente para licuar los ingredientes con eficiencia.

Es mejor para: Este método se recomienda para hacer licuados, salsas, tragos y untables.

### 2. Ciclo de pulsos

El ciclo de pulsos le permite controlar cómo se cortan, muelen y pulsan los ingredientes, que se mantienen sin emulsificar.

**Es mejor para:** Este método es particularmente útil para moler granos de café, hacer salsa trozada, cortar cebolla y agregar trozos de ingredientes a una mezcla ya suave para aportar textura.

**Sugerencia:** Utilice este ciclo para su sistema de hidratación (se vende por separado y está disponible con los paquetes B10+).

## Cómo utilizar la licuadora B10

1. Enchufe la base de la licuadora B10 en una toma de electricidad estándar de 120 voltios de CA.

2. Presione el interruptor de alimentación anaranjado de la parte posterior de la base de la licuadora para encender la base de la unidad.

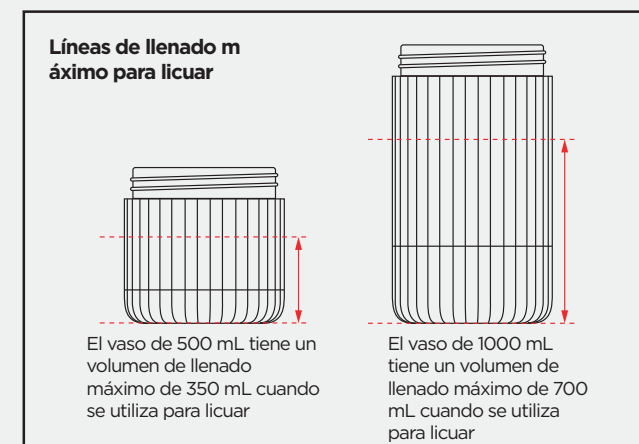
3. Llene el vaso con alimento. Corte los ingredientes de mayor tamaño en piezas más pequeñas para ayudar a evitar la sobrecarga del motor. El vaso debe contener al menos 1/3 de líquido para obtener los mejores resultados.

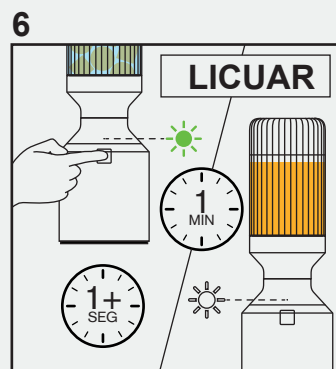
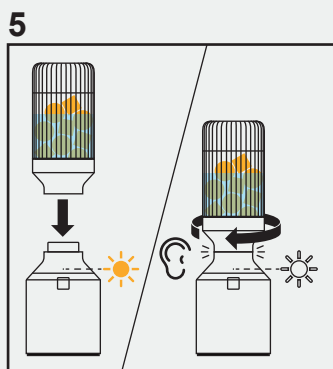
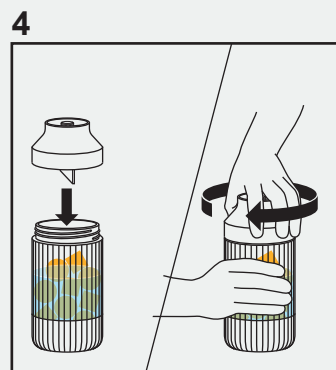
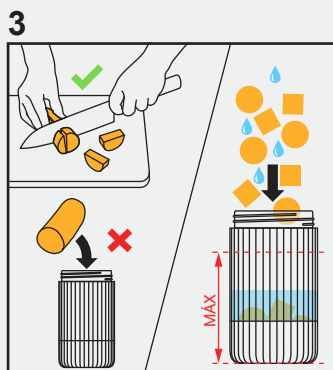
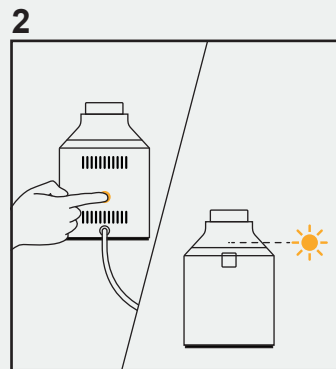
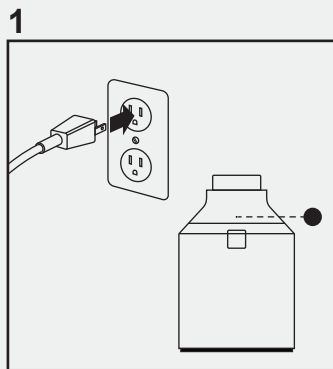
**Sugerencia especial:** Consulte la tarjeta "El licuado perfecto" para obtener información útil sobre el llenado.

4. Conecte el conjunto de la cuchilla al vaso. Para ello, gire el conjunto de la cuchilla en sentido horario hasta que quede bien fijo.

5. Monte el vaso con el conjunto de la cuchilla en la base de la licuadora. Para ello, gire en sentido horario hasta que el conjunto de la cuchilla haga clic al calzar en su lugar.

6. Presione el interruptor de espera durante > 1 segundo para comenzar el ciclo de licuado temporizado, O BIEN, presione el interruptor de espera durante < 1 segundo para pulsar las hojas de la cuchilla.





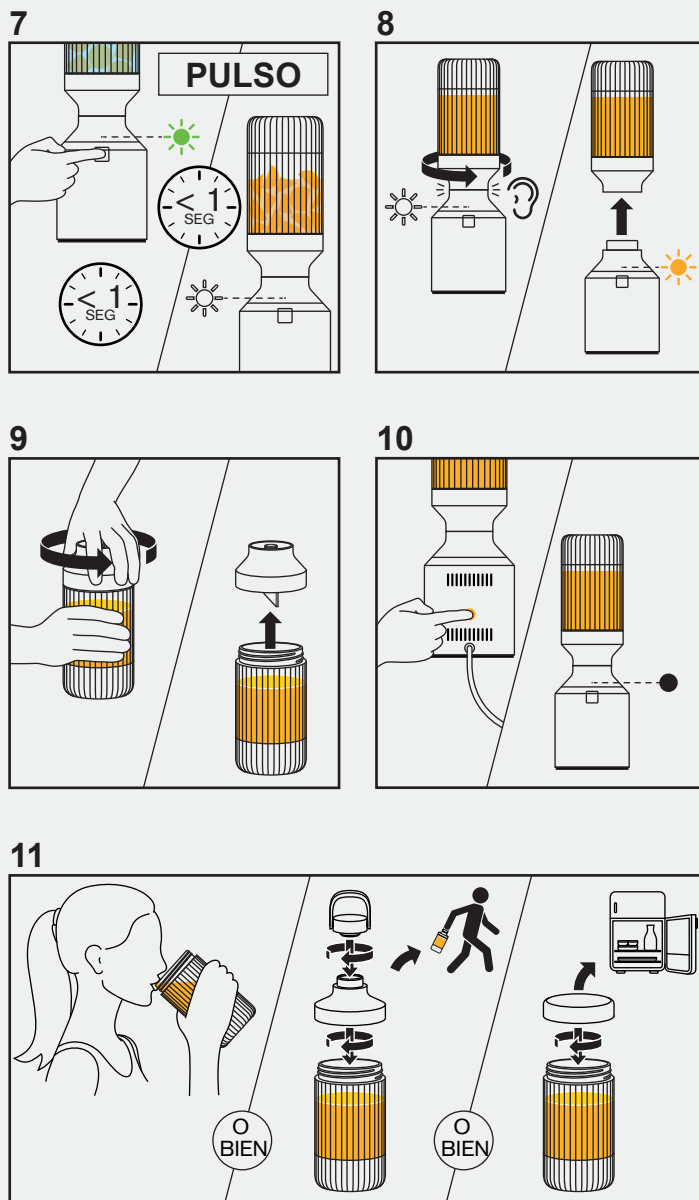
## Cómo utilizar la licuadora B10 (cont.)

7. Después de que la unidad haya finalizado el ciclo de licuado y la luz haya pasado de verde a blanco, retire el vaso con el conjunto de la cuchilla de la base. Para ello, gire en sentido antihorario.

8. Retire el conjunto de la cuchilla del vaso. Para ello, gire el conjunto de la cuchilla en sentido antihorario hasta poder retirarlo.

9. Presione el interruptor de alimentación de la parte posterior de la base de la licuadora para apagar la unidad.

10. Beba el licuado directamente del vaso, agregue la tapa para beber del vaso y la tapa de traslado para llevarse el licuado o use la tapa de almacenamiento para guardar el licuado para después en el refrigerador.



### Tabla con ejemplos de llenado del vaso

La siguiente tabla ofrece ejemplos de tipos de ingredientes, cantidades y tiempo para licuar/moler en cada vaso.

	TIPO DE CARGA	ACCESORIO	CAPACIDAD	TIEMPO EN FUNCIONAMIENTO
LICUAR	Zanahorias y agua	Vaso de la licuadora de 1000 mL (llenado máximo de 700 mL) con conjunto de la cuchilla	280 g de zanahorias 420 g de agua	60 s
MOLER	Trigo, arroz, maíz	Vaso de la licuadora de 1000 mL (llenado máximo de 700 mL) con conjunto de la cuchilla	600 g	60 s
LICUAR	Zanahorias y agua	Vaso de la licuadora de 500 mL (llenado máximo de 350 mL) con conjunto de la cuchilla	140 g de zanahorias 210 g de agua	60 s
MOLER	Granos de café, especias	Vaso de la licuadora de 500 mL (llenado máximo de 350 mL) con conjunto de la cuchilla	100 g	20 s



## Sugerencias y trucos

### Método de agitar para aflojar los ingredientes atascados

*Al licuar alimentos firmes, ingredientes de gran tamaño o con una cantidad limitada de líquido en el vaso, es posible que el contenido del vaso se atasque y que se requiera un método manual para liberarlo y continuar licuando.*

1. Retire el conjunto de la cuchilla con el vaso de la base de la licuadora.
2. Con el conjunto de la cuchilla y el vaso en la mano, agite bien hacia arriba y hacia abajo.
3. Vuelva a colocar el conjunto de la cuchilla y el vaso en la base de la licuadora para terminar de licuar.

### Cómo procesar fruta congelada

*Los pulsos constituyen una manera útil de cortar en trozos los ingredientes sin emulsificarlos completamente.*

1. Pulse de 5 a 7 veces para cortar y ablandar los ingredientes, y a continuación utilice el ciclo de licuado completo.
2. Asegúrese de que el licuado tenga al menos 1/3 de líquido, ya que esta es la proporción óptima para la mejor experiencia al licuar.

## Resolución de problemas

Consulte el comportamiento de las luces LED en la sección "Cómo usar la licuadora B10".

- Si el indicador LED exhibe:  
**Ninguna luz visible**



**Eso significa que:** La licuadora no está encendida.

**Intente lo siguiente:** Asegúrese de que la base de la licuadora esté enchufada a una toma de electricidad estándar de 120 voltios de CA. A continuación, encienda la unidad. Para ello, presione el interruptor de alimentación de la parte posterior de la unidad.

- Si el indicador LED exhibe:  
**Luz de color ámbar fija**

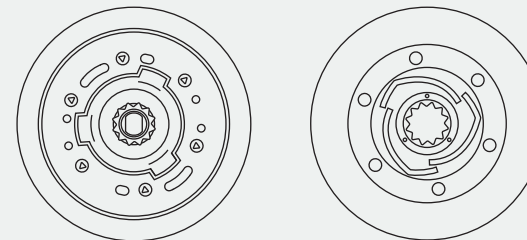


**Eso significa que:** La licuadora está encendida, pero el conjunto de la cuchilla o el vaso no están colocados correctamente.

**Intente lo siguiente:** Confirme que el conjunto de la cuchilla esté enroscado firmemente en el vaso. A continuación, confirme que la cuchilla y el vaso se giren en la base hasta que calcen con un clic y el indicador LED exhiba una luz de color blanco fija.

A continuación:

1. Si la luz continúa parpadeando en ámbar, presione el botón del interruptor anaranjado de la parte posterior de la base para apagar la licuadora y desenchúfela durante 24 horas para restablecerla.
2. Con la unidad desenchufada de la toma, utilice un paño húmedo y frote los puntos de contacto de la base de la unidad y el conjunto de la cuchilla.
3. Finalmente, utilice un paño seco para frotar los puntos de contacto a fin de asegurarse de que estén completamente secos y listos para conectarse.



## Resolución de problemas

• **Si el indicador LED exhibe:  
Luz de color ámbar que parpadea**



**Eso significa que:** El motor está sobrecargado.

**Intente lo siguiente:** Apague la unidad. Para ello, presione el interruptor de alimentación de la parte posterior de la unidad. Espere 30 segundos para que se restablezca la unidad.

A continuación:

1. Si el contenido del vaso parece estar atascado, lleve a cabo el método de agitar detallado en la sección "Sugerencias y trucos" para liberar los ingredientes antes de continuar licuando.
2. Si el vaso está lleno por arriba de la línea que indica el máximo, retire la cuchilla del vaso. Retire una cantidad suficiente de contenido para reducir el nivel por debajo de la línea de llenado máximo. A continuación, diríjase al paso 4 de la sección "Cómo utilizar la licuadora B10" para continuar licuando.
3. Si el indicador LED continúa exhibiendo una luz ámbar que parpadea, el motor puede haberse sobrecalentado y requerirá tiempo para enfriarse. Apague la unidad y espere una hora hasta que se enfríe antes de intentar licuar nuevamente.

## Resolución de problemas

**Si el conjunto de la cuchilla está atascado en el vaso después de licuar:**

**Eso significa que:** Es posible que el conjunto de la cuchilla no esté firmemente atornillado, lo que provoca que los ingredientes se escurran por la rosca al comenzar el ciclo de licuado.

**Intente lo siguiente:**

1. Deje el vaso y el conjunto de la cuchilla en el refrigerador durante toda la noche. Intente desconectarlos cuando estén bien fríos.
2. Después de retirarlos del refrigerador, pruebe con hacer correr agua caliente sobre el área donde están las roscas para expandir los materiales y que sea más fácil desprender el conjunto de la cuchilla.
3. También puede probar con golpear levemente la parte roscada del vaso + cuchilla en ángulo sobre la encimera para aflojar la cuchilla. Eso puede resultar poco convencional, pero ¡funciona muy bien!

## Resolución de problemas

• **Si el indicador LED exhibe:  
Luz de color roja que parpadea**



**Eso significa que:** El contenido del vaso está demasiado caliente como para licuar de manera segura.

**Intente lo siguiente:**

1. Apague la unidad. Para ello, presione el interruptor de alimentación de la parte posterior de la unidad. Espere 30 segundos que la unidad se restablezca antes de volver a encenderla.

2. Asegúrese de que el contenido del vaso esté a temperatura ambiente, o por debajo, antes de continuar licuando.

• **Si el motor de la licuadora Beast hace un ruido trabajoso y no licua de manera eficiente**

**Eso significa que:** Es posible que el vaso esté demasiado lleno o que el contenido del vaso esté atascado.

**Intente lo siguiente:**

1. Si el contenido del vaso parece estar atascado, lleve a cabo el método de agitar detallado en la sección "Sugerencias y trucos" para liberar los ingredientes antes de continuar licuando.

2. Si el vaso está lleno por arriba de la línea que indica el máximo, retire la cuchilla del vaso. Retire una cantidad suficiente de contenido para reducir el nivel por debajo de la línea de llenado máximo. A continuación, diríjase al paso 4 de la sección "Cómo utilizar la licuadora B10" para continuar licuando.

Si todavía no puede hacer que la unidad funcione correctamente, escriba a [help@thebeast.com](mailto:help@thebeast.com) y nos complacerá ofrecerle ayuda.

## Cuidado y limpieza

**PRECAUCIÓN:** Asegúrese siempre de que el producto esté desenchufado de la toma de electricidad antes de reubicarlo, ensamblarlo, desmontarlo o limpiarlo.

- Limpie el producto (según se indica en la sección "Antes de usar") inmediatamente después de cada uso.
- Utilice el cepillo de limpieza Beast (se vende por separado) después de cada uso. Utilice el cabezal de limpieza principal para limpiar los elementos más grandes y utilice la herramienta para detalles para limpiar la junta del conjunto de la cuchilla a fin de eliminar partículas de alimento alojadas debajo después de cada uso.
- Enjuague el conjunto de la cuchilla debajo del agua para limpiarlo. Si es necesario, utilice una esponja con jabón. No coloque el conjunto de la cuchilla en el lavavajillas. Deje secar el conjunto de la cuchilla en un escurridor.
- Para un lavado más profundo, únicamente coloque el vaso de la licuadora en el bastidor superior del lavavajillas.
- Nunca extraiga la junta del conjunto de la cuchilla.
- Limpie la base de la licuadora periódicamente con una esponja o con un paño húmedos.
- Una vez por semana, procese sencillamente 2/3 de agua y un par de gotas de detergente en el vaso con el ciclo de licuado.
- Una vez por mes, limpie el vaso con 1/2 de vinagre y 1/2 de agua. Permita que repose en el vaso durante 30 minutos y después ejecute un ciclo de licuado. Para terminar el proceso, utilice el cepillo de limpieza Beast en el conjunto de la cuchilla y en el vaso.
- Asegúrese de que todos los componentes estén completamente secos antes de ensamblar y guardar la licuadora. Los residuos húmedos pueden provocar mal olor.
- Guarde el producto en un lugar fresco y seco.

**OBSERVACIÓN:** Los componentes de color blanco y gris pueden mancharse. No deben entrar en contacto directo con ingredientes que puedan provocar manchas, como cúrcuma, remolacha, zanahoria u otros ingredientes de colores intensos. Si estos ingredientes entran en contacto con los componentes de color claro, siga de inmediato las instrucciones de limpieza mencionadas más arriba.

## Garantía

### **GARANTÍA LIMITADA DE 2 AÑOS DE LA LICUADORA BEAST**

La presente garantía se aplica a los productos originales de Beast Health, LLC adquiridos y utilizados en los Estados Unidos y en Canadá. Esta es la única garantía explícita para este producto y prevalece sobre cualquier otra garantía o condición.

Se garantiza que este producto está libre de defectos de material y fabricación durante un período de dos (2) años a partir de la fecha de compra en los EE. UU. o en Canadá. Esta garantía se incluye con el producto sin cargo adicional. Debe suministrarse un comprobante de compra. Durante este período, su recurso exclusivo es la reparación o el reemplazo de este producto o de cualquier componente que se determine defectuoso, a nuestro criterio. No obstante, usted es responsable de todos los costos de envío y procesamiento relacionados con la devolución del producto a nosotros y con el envío de nuestra parte a usted de un reemplazo, producto o componente en virtud de esta garantía. Si el producto o el componente ya no están disponibles, los reemplazaremos con uno similar de valor equivalente o mayor. Esta garantía limitada es nula y no tiene validez si la unidad se dañó por abuso o uso indebido, si el producto no tuvo un mantenimiento correcto y si no se siguieron las indicaciones de protección o las advertencias.

Excluimos todos los reclamos por daños especiales, incidentales y emergentes provocados por la infracción a las garantías explícitas o implícitas. Excluimos el desgaste normal. Esta garantía se aplica únicamente al uso por parte de un consumidor. Toda responsabilidad se limita al importe del precio de compra. **Renunciamos a toda garantía implícita, incluida cualquier garantía por ley o condición de comerciabilidad o aptitud para un propósito en particular, excepto en la medida que las leyes lo prohíban, en cuyo caso tal garantía o condición se limita a la duración de la presente garantía por escrito.** Esta garantía le concede derechos legales específicos. Puede tener otros derechos legales que varíen según el lugar donde resida. Algunos estados o provincias no permiten limitaciones en las garantías implícitas o en los daños especiales, incidentales o emergentes, y en consecuencia es posible que las limitaciones precedentes no se apliquen a su caso.

Para presentar un reclamo en virtud de la garantía, no devuelva este aparato a la tienda. Debe escribir a [help@thebeast.com](mailto:help@thebeast.com). Para un servicio más rápido, busque el modelo, el tipo y los números de serie en su aparato.

**strong inside.**<sup>TM</sup>

**fuerte por dentro.**<sup>TM</sup>



Designed in Los Angeles  
Diseñado en Los Angeles

[thebeast.com](http://thebeast.com)  
[thebeast.com/patents](http://thebeast.com/patents)

BEAST® is a registered trademark of Beast Health, LLC  
BEAST® es una marca registrada de Beast Health, LLC  
Copyright© 2020 Beast Health, LLC Los Angeles, CA 90272 | All rights reserved  
Copyright© 2020 Beast Health, LLC Los Angeles, California 90272 | Todos los derechos reservados