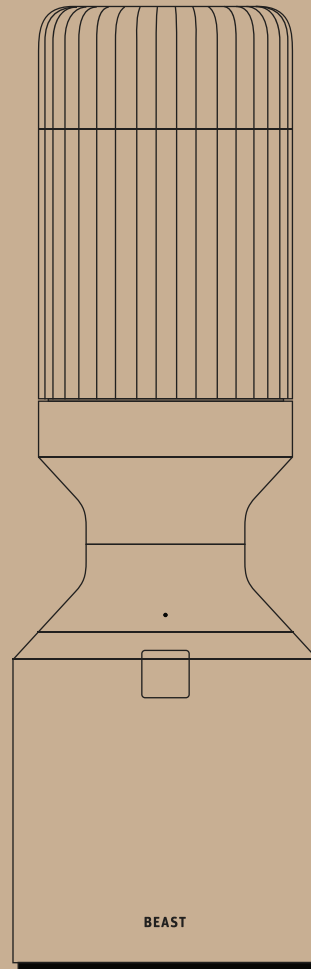


# BLEND

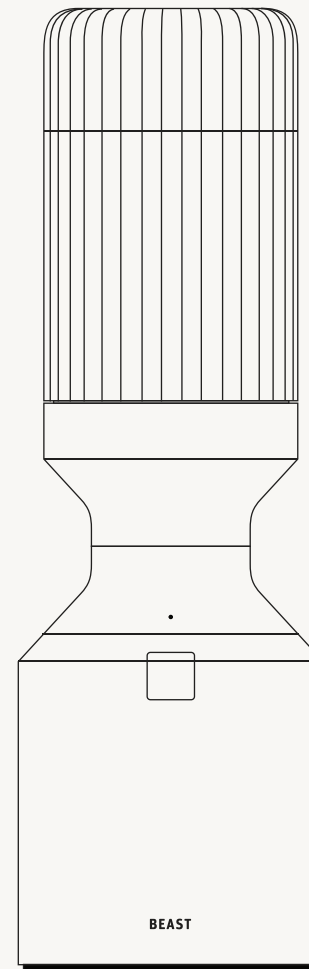
B10 HEALTH BLENDER USER GUIDE



**BEAST®**

**THIS BOOK COVERS MODEL: B10**

Voltage: 120 VAC | Frequency: 60 Hz | Wattage: Max. 1000 W



**BEAST®**

## **Meet Beast.**

We've always known we were supposed to eat our vegetables.

We've always known we were supposed to drink lots of water.

But didn't...

So we set out to create a blending and hydration system that would make Mom proud.

Beast fuels your body with real food: no processing, no additives, no BS.

From an energy-boosting morning blend, to nutrient-infused hydration throughout the day—and even a blended dessert in the evening—Beast fits seamlessly into your day to make you...

# **Strong inside.**<sup>™</sup>

## Contents

Important Safeguards.....	5-8
What's Included.....	9
Before Use.....	10
B10 Blender Light Indicators.....	11-12
How to Use Your B10 Blender.....	13-16
Vessel Fill Example Chart.....	17
Tips & Tricks.....	18
Troubleshooting.....	19-20
Care & Cleaning.....	21
Warranty.....	22

## **⚠ IMPORTANT SAFEGUARDS**

**READ ALL IMPORTANT SAFEGUARDS TO AVOID THE RISK OF SERIOUS INJURY.**

### **FOR HOUSEHOLD USE ONLY**

**WHEN USING ELECTRICAL APPLIANCES, ALWAYS FOLLOW BASIC SAFETY PRECAUTIONS, INCLUDING THE FOLLOWING:**

- To reduce the risk of electric shock, BEAST® BLENDER has a polarized plug (one prong is wider than the other). This plug will fit into a polarized outlet only one way. If the plug does not fit fully into the outlet, reverse the plug. If it still does not fit, contact a qualified electrician to install the proper outlet. DO NOT modify the plug in any way.
- To protect against the risk of electrical shock, do not put cord, plug, or base in water or any other liquid.
- Extension cords are not recommended for use with this product.
- DO NOT abuse the power cord. Never carry the appliance by the power cord or pull on it to disconnect from the electrical outlet. Instead, grasp the plug itself and pull to disconnect.
- DO NOT operate the BEAST® BLENDER with a damaged cord or plug, or after it has been dropped or damaged in any manner. The BEAST® BLENDER has no serviceable parts. Email customerservice@thebeast.com if you have any questions or concerns.
- DO NOT let the power cord hang over the edge of a counter or touch hot surfaces, such as the stove top. Do not place near a hot gas or electric burner.

**TO REDUCE THE RISK OF FIRE, ELECTRIC SHOCK, OR PERSONAL INJURY AND/OR PROPERTY DAMAGE:**

- **BLADES ARE SHARP! HANDLE WITH CARE.** To avoid injury, do not handle or touch any blade edge. Use caution and grasp by the blade assembly.
- To protect against electrical shock, do not submerge the appliance or allow the power cord or blender base to come into contact with water or liquids.
- The BEAST® BLENDER has moving parts. Avoid contact with moving parts. Keep fingers out of the container and away from the blades.
- To reduce the risk of injury, NEVER operate the BEAST® BLENDER without the vessel properly assembled to the blade housing. DO NOT try to defeat the interlock mechanism. Ensure that the vessel is properly installed before operating the appliance.

## **⚠ IMPORTANT SAFEGUARDS**

- Keep hands, hair, clothing, and utensils out of the vessel while powered on to reduce the risk of severe injury to persons and damage to the BEAST® BLENDER. You may use a scraper, but only when the appliance is not running.
- DO NOT operate the BEAST® BLENDER with a damaged blade assembly, if it malfunctions, or has been dropped or damaged in any manner. The BEAST® BLENDER blade assembly has no serviceable parts. Return the appliance to BEAST HEALTH, LLC for examination, replacement, and/or adjustment.
- To reduce the risk of injury, never place the blade assembly on the base without the blending vessel properly attached. Always wait until the motor has stopped completely before removing the blending vessel.
- Remember to **TURN THE POWER SWITCH OFF** when the BEAST® BLENDER is not in use, before assembling or disassembling parts, and before cleaning. You will know that it has successfully turned off when the light goes out. To unplug the BEAST® BLENDER, grasp the plug and pull from the electrical outlet. Never pull from the power cord.
- DO NOT remove the blending vessel from the Blender Base while it is operating. Wait until the motor powers down completely, the blades stop spinning, and the ingredients settle to remove the vessel and then **POWER OFF**.
- **NEVER BLEND HOT INGREDIENTS.** Doing so may cause excessive steam and pressure to build up in the vessel, resulting in the potential risk of the vessel and blender base separating and thereby possibly resulting in personal injury and/or property damage.
- Never operate the unit for longer than one minute. Blade friction for prolonged periods can cause heat and related pressure buildup in a closed vessel, with the danger of personal injury and/or property damage.
- Ensure the ventilation holes on the rear of the blender base are kept clean and never obstructed.
- **NEVER BLEND CARBONATED INGREDIENTS OR RISING AGENTS (LEAVENS) IN THE BEAST® BLENDER.** These ingredients incorporate air bubbles that produce foam and cause breads and cakes to rise. Blending these ingredients may cause excessive pressure buildup in the container and may cause personal injury to the user or property damage. Common leavening agents such as baking powder, baking soda, cream of tartar, cultured or fermented ingredients, egg whites, salt of hartshorn, whey protein, sea moss, and yeast should not be blended in the BEAST® BLENDER.

**IMPORTANT SAFEGUARDS CONTINUE ON NEXT PAGE → 6**

## **⚠ IMPORTANT SAFEGUARDS**

- NEVER store ingredients in the blending vessel with the blade assembly attached, both before and after blending. Some foods may contain active ingredients or release gases that will expand in the container. If the ingredients are left in the sealed container, excessive pressure can build up and pose a risk of personal injury. To safely store ingredients in the container, first remove the lid to allow the blend to rest for a few minutes and allow excess gases to escape. Then use the Storage Lid to cover and store in the refrigerator, which will release any built-up gases daily.
- The BEAST® BLENDER should not be used to grind hard spices or beans, as this may cause damage to the blades and/or blending vessels.
- This appliance is not intended for use by persons (including children) with reduced physical, sensory, or mental capabilities, or lack of experience and knowledge, unless they are closely supervised and instructed concerning use of the appliance by a person responsible for their safety. Close supervision is necessary when any appliance is used by or near children. Children should be supervised to ensure that they do not play with the appliance.
- Do not use your BEAST® BLENDER under the influence of drugs or alcohol.
- NEVER leave the BEAST® BLENDER unattended while in use.
- BEAST® accessories are not intended to be used in the microwave, which may result in damage to the accessories.
- ALWAYS use the BEAST® BLENDER on a dry, stable, level surface.
- DO NOT use the BEAST® BLENDER within 12 inches of the edge of the work surface or counter.
- DO NOT operate the BEAST® BLENDER on or near any hot surfaces (such as a gas or electric burner or in a heated oven).
- DO NOT use attachments or accessories (including canning jars) not recommended or sold by the manufacturer with the BEAST® BLENDER. Use of these items may result in fire, electric shock, or personal injury. It may also void the warranty.
- DO NOT overfill the blending vessel. Fill only to the MAX line, as ingredients need space to ensure complete and thorough blending and to avoid damaging the motor.
- DO NOT operate the BEAST® BLENDER with an empty vessel, as this may cause damage to the motor.
- If the BEAST® BLENDER overheats, a thermal switch will activate and shut off the motor. To reset, power off the BEAST® BLENDER and let it cool down for approximately one hour before using again.

## **⚠ IMPORTANT SAFEGUARDS**

- DO NOT use the BEAST® BLENDER for anything other than its intended use.
- DO NOT use the BEAST® BLENDER outdoors.
- DO NOT wash the blade assembly in the dishwasher, as extreme heat and harsh detergents may cause damage to these parts. Wash Blending Vessels on the top rack of the dishwasher only.
- DO NOT remove gasket from blade assembly.
- DO NOT remove the trademark/s, serial numbers, or bar codes from the BEAST® BLENDER.
- DO NOT use the BEAST® BLENDER with a voltage or electricity converter.
- DO NOT modify the BEAST® BLENDER in any way.
- This appliance has important markings on the plug blade. The attachment plug or entire cordset (if plug is molded onto cord) is not suitable for replacement. If damaged, the appliance should be replaced.

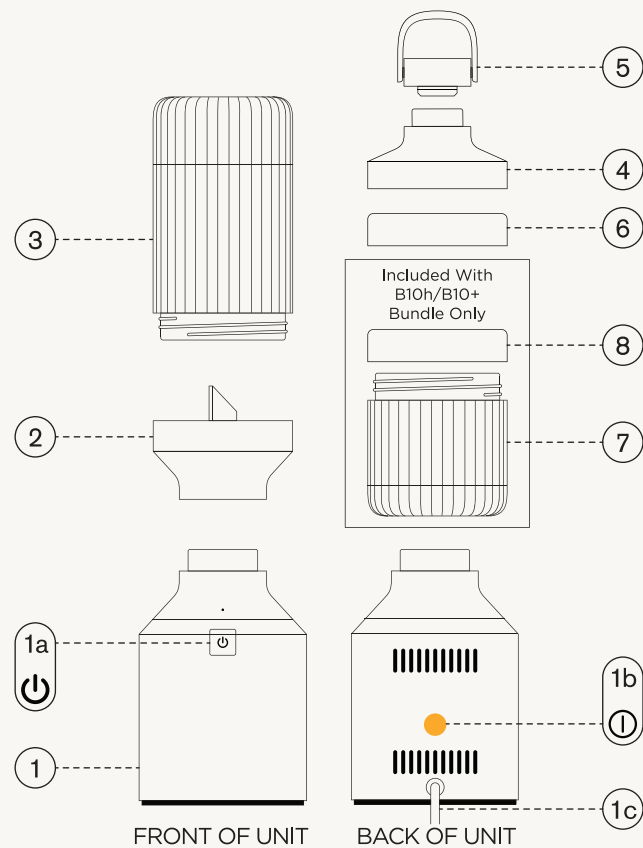
## What's Included

### Parts Included With B10:

1. B10 Blender Base
  - 1a. Standby Switch on Blender Base
  - 1b. Power Switch on Blender Base
  - 1c. Power Cord on Blender Base
2. Blade Assembly
3. 1000mL Blending Vessel
4. Vessel Drinking Lid
5. Carry Cap
6. Storage Lid

### Parts Included With B10+ Bundle Only:

7. 500mL Blending Vessel
8. Additional Storage Lid



## ⚠ Before Use

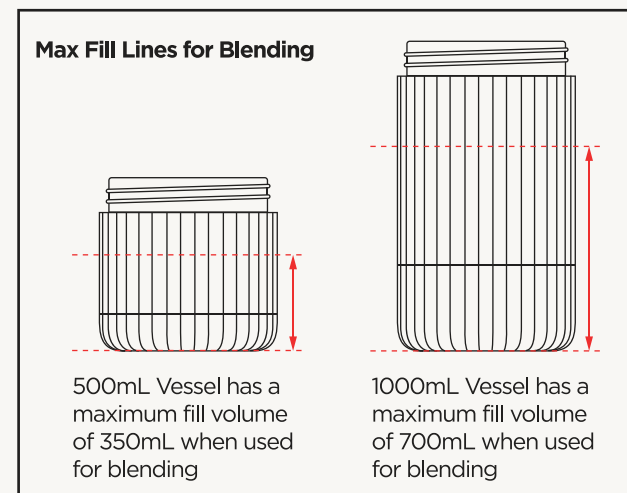
### Before using the product for the first time, disassemble and wash as follows:

1. Remove the Blade Assembly (2) from the Blending Vessel (3) by turning the Blade Assembly (2) counterclockwise.

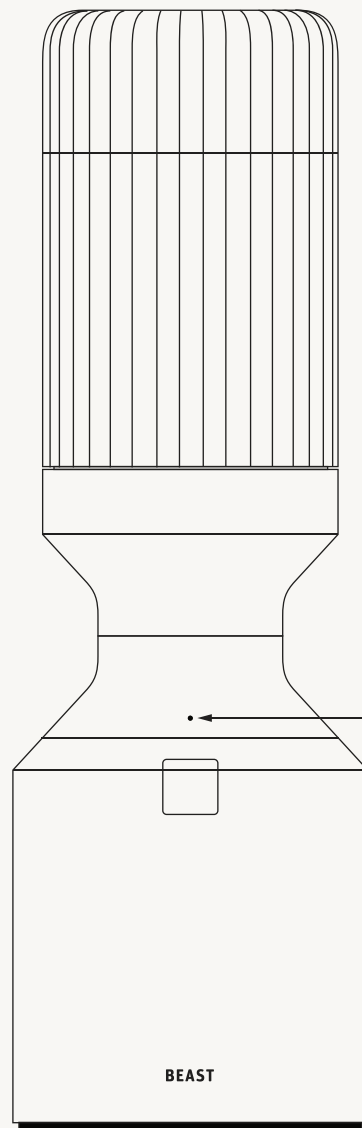
**CAUTION:** Use caution when handling the Blade Assembly, as blades are extremely sharp.

2. Hand wash all parts except the B10 Blender Base (1) and Power Cord (1c) in warm, soapy water. Rinse and dry thoroughly.

**NOTICE:** Do not immerse the B10 Blender Base (1) or Power cord (1c) in water or other liquids. Do not place the Blender Base or Blade Assembly into a dishwasher or extremely hot water. Do not use abrasive cleaners to clean any part of the product.



## B10 Blender Light Indicators



## B10 Blender Light Indicators (Cont)

LED BEHAVIOR	MEANING
● Light Off	Unit Off
☀ Amber - Solid	Unit On, No Blade and/or Vessel Connected
☀ White - Solid	Unit On, Ready to Blend
☀ Green - Solid	Unit On, Blending In Progress
☀ Amber - Flashing	Motor Overload
☀ Red - Flashing	Vessel Contents Too Hot to Safely Blend



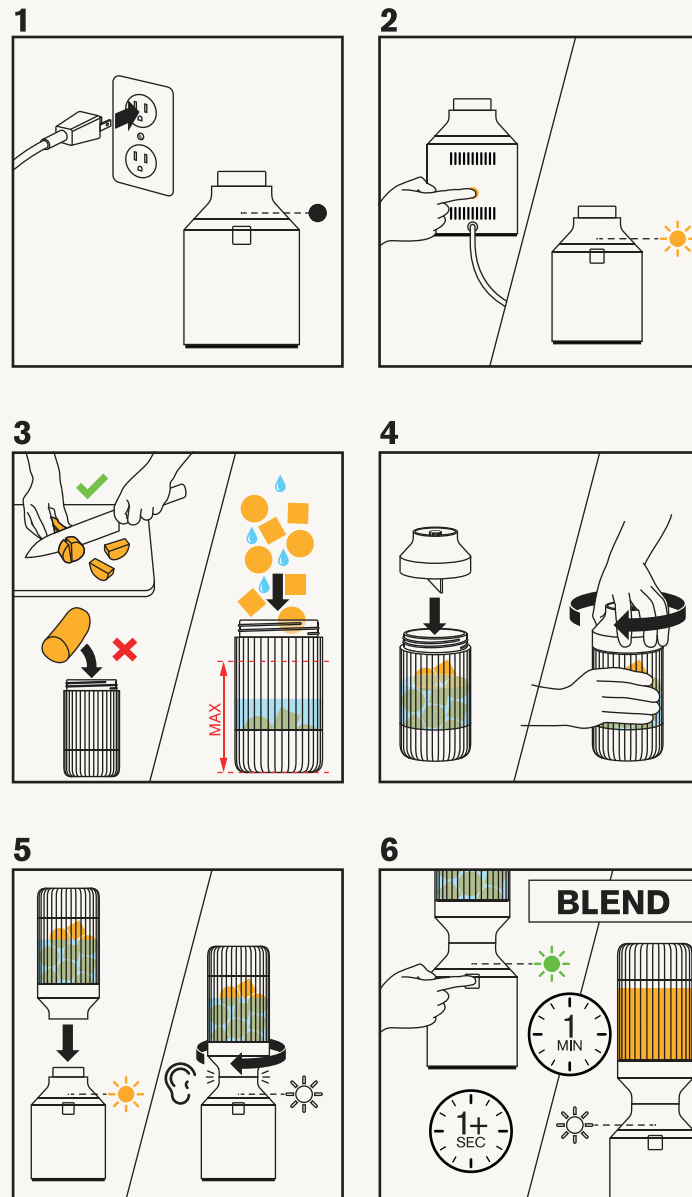
## How to Use Your B10 Blender

1. Plug the B10 Blender Base into a standard 120-volt AC electrical outlet.
2. Press the power switch at rear of Blender Base to turn ON power to the Blender Base.
3. Fill the Blending Vessel with food contents. Chop any large ingredients into small pieces to help prevent overloading the motor. Your Blender Vessel should contain at least 25% liquid for best results.
4. Attach the Blade Assembly to the Blending Vessel by turning the Blade Assembly clockwise until firmly secured to the Blade Assembly.
5. Mount the Blending Vessel with Blade Assembly onto the Blender Base by twisting clockwise until the Blade Assembly clicks into place.
6. Press the Standby Switch for >1 second to begin 1-minute timed blend cycle.

The 1-minute timed blend cycle is intelligently programmed to efficiently blend your ingredients. It works as follows:

1. Blends for 20 seconds
2. Briefly slows down to allow ingredients to settle
3. Continues blending for 25 seconds
4. Briefly slows down to allow the ingredients to settle
5. Continues blending for 15 seconds
6. Stops after 1 full minute

**INSTRUCTIONS CONTINUE ON NEXT PAGE**



Continued on next page →

## How to Use Your B10 Blender (Cont)

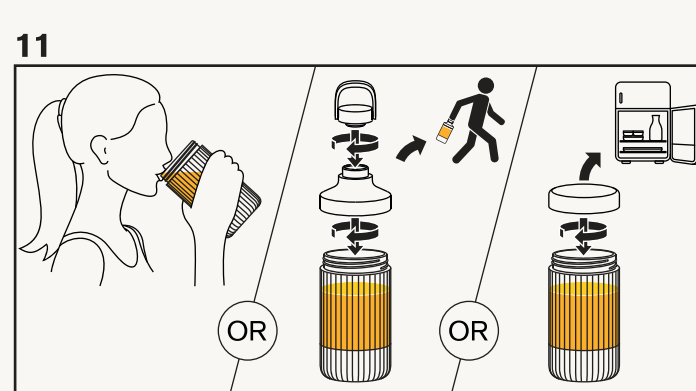
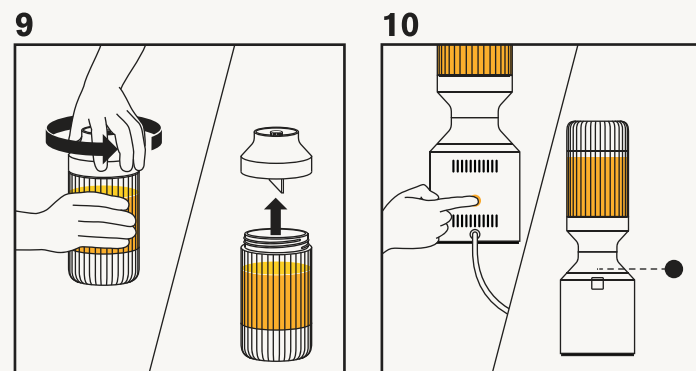
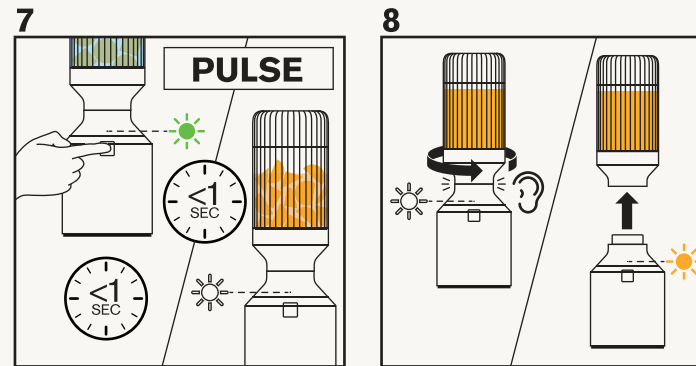
7. Press the Standby Button for <1 second to pulse the blades. Repeat until desired consistency is achieved.

8. Unmount the Blending Vessel with Blade Assembly from the Blender Base by twisting counter-clockwise.

9. Remove the Blade Assembly from the Blending Vessel by turning the Blade Assembly counter-clockwise until the Blade Assembly can be removed.

10. Press the Power Switch at rear of Blender Base to turn OFF power to the unit.

11. Drink blend directly from the Blend Vessel, add the Vessel Drinking Lid and Carry Cap to take your blend on-the-go, or use the Storage Lid to blend for later in the refrigerator.



## Vessel Fill Example Chart

The below chart provides examples of ingredient types, amounts, and time required to blend/grind in each vessel.

	TYPE LOAD	ATTACHMENT	CAPACITY	OPERATING TIME
<b>BLENDING</b>	Carrots & Water	1000mL Blending Vessel (700mL Max Fill) with Blade Assembly	280g Carrots 420g Water	60s
<b>GRINDING</b>	Wheat, Rice, Corn	1000mL Blending Vessel (700mL Max Fill) with Blade Assembly	600g	60s
<b>BLENDING</b>	Carrots & Water	500mL Blending Vessel (350mL Max Fill) with Blade Assembly	140g Carrots 210g Water	60s
<b>GRINDING</b>	Coffee Beans, Spices	500mL Blending Vessel (350mL Max Fill) with Blade Assembly	100g	20s

## Tips & Tricks

### Shake Method to Loosen Stuck Ingredients

*When blending tough foods, large ingredients, or with a limited amount of liquid in the vessel, the contents of the Blending Vessel may become stuck and require a manual method of freeing up the contents in order to continue blending.*

1. Remove the Blade Assembly with Blending Vessel from the Blender Base.
2. With the Blade Assembly and Blending Vessel in hand, shake it up and down thoroughly.
3. Reattach to the Blender Base to finish blending.

### Coarsely Chop Ingredients by Pulsing

*Pulsing is a useful way to coarsely chop ingredients without totally emulsifying them. This method is particularly useful for grinding coffee beans, making chunky salsa, chopping onions, and adding chunks of ingredients to an already smooth mixture for texture.*

To Pulse:

1. Press the Standby Switch on the front of the unit for less than 1 second.
2. Repeat until you achieve your desired texture.

## Troubleshooting

Please refer to LED Light Behavior in the “Using Your B10 Blender” section.

- If the LED light indicator displays:  **No Visible Light**

**That Means:** Your blender unit is not powered on.

**Try:** Make sure that the Blender Base is plugged into a functioning standard 120-volt AC electrical outlet. Then power ON the unit by pressing the Power Switch at the back of the unit.

- If the LED light indicator displays:  **Solid-Amber Color Light**

**That Means:** Your blender unit is powered on, but the Blade Assembly and/or Blending Vessel is not properly connected.

**Try:** Confirm that the Blade Assembly is firmly threaded onto the Blending Vessel. Then confirm that the Blade Assembly and Blending Vessel are twisted onto the base until it clicks into place and the LED indicator displays a Solid-White color light.

- If the LED light indicator displays:  **Flashing-Amber Color Light**

**That Means:** The motor is overloaded.

**Try:** Power OFF the unit by pressing the Power Switch on the back of the unit. Wait 30 seconds for the unit to reset.

Then:

1. If the contents of the Blending Vessel appear to be stuck in place, perform the “Shake Method” listed in the “Tips & Tricks” section to free up the ingredients before continuing blending.
2. If the Blending Vessel is filled beyond the Max Fill line, remove the Blade Assembly from the Blending Vessel. Remove enough contents to bring the fill level down to or below the Max Fill line. Then go to step 4 of the “How to Use Your B10 Blender” section to continue blending.
3. If the LED light indicator continues to display a Flashing Amber light, the motor itself may be overheated and will require time to cool down. Power OFF the unit, and allow to cool for one hour before attempting to blend again.

## Troubleshooting

- If the LED light indicator displays:  **Flashing-Red Color Light**

**That Means:** The contents of the Blending Vessel are too hot to safely blend.

**Try:**

1. Power OFF the unit by pressing the Power Switch on the back of the unit. Wait for 30 seconds for the unit to reset before powering back on.

2. Make sure that the contents of the Blending Vessel are at or below room temperature before continuing to blend.

- If your Beast Blender motor sounds like it is laboring and blending is not efficient

**That Means:** Your Blending Vessel may be overfilled, or Blending Vessel contents may be stuck.

**Try:**

1. If the contents of the Blending Vessel appear to be stuck in place, perform the “Shake Method” listed in the “Tips & Tricks” section to free up the ingredients before continuing blending.

2. If the Blending Vessel is filled beyond the Max Fill line, remove the Blade Assembly from the Blending Vessel. Remove enough contents to bring the fill level down to or below the Max Fill line. Then go to step 4 of the “How to Use Your B10 Blender” section to continue blending.

## Care & Cleaning

**CAUTION:** Always ensure the product is unplugged from the electrical outlet before relocating, assembling, disassembling, or cleaning it.

- Clean the product (as instructed under the “Before Use” section) immediately after each use.
- Use a small brush (not included) to remove particles of food lodged underneath the blades.
- Store the product in a cool, dry place.
- Never remove the gasket from the Beast Blade Assembly.
- Rinse Blade Assembly under tap water to clean, using a soapy sponge if necessary. Do not place the Blade Assembly in the dishwasher. Dry the Blade Assembly on a drying rack.
- Rinse the Blending Vessels and clean with the Beast brush (if included). If preferred, place Blending Vessels on the top rack of the dishwasher only.
- Clean Blender Base periodically with a damp towel or sponge.

**PLEASE NOTE:** The White and Grey colored components are susceptible to staining, and should not come in direct contact with ingredients prone to causing stains, such as: turmeric, beets, carrots, or other bright colored ingredients. If these ingredients do come in contact with light-colored components, immediately follow the cleaning instructions listed above.

## Warranty

### **BEAST BLENDER 2-YEAR LIMITED WARRANTY**

This warranty applies to Beast Health, LLC authentic products purchased and used in the United States and Canada. This is the only express warranty for this product and is in lieu of any other warranty or condition.

This product is warranted to be free from defects in material and workmanship for a period of two (2) years from date of purchase in the USA or Canada and comes with the product at no extra charge. Proof of purchase must be provided. During this period, your exclusive remedy is repair or replacement of this product or any component found to be defective, at our discretion. However, you are responsible for all shipping and processing costs associated with returning the product to us and our return of a replacement, product, or component under this warranty to you. If the product or component is no longer available, we will replace it with a similar one of equal or greater value. This limited warranty is void and invalid if the unit has been damaged by abuse or misuse, if the product has not been maintained properly, and if safeguards or warnings have not been followed.

We exclude all claims for special, incidental, and consequential damages caused by breach of express or implied warranty. We exclude normal wear and tear. This limited warranty applies to consumer use only. All liability is limited to the amount of the purchase price. **Every implied warranty, including any statutory warranty or condition of merchantability or fitness for a particular purpose, is disclaimed except to the extent prohibited by law, in which case such warranty or condition is limited to the duration of this written warranty.** This warranty gives you specific legal rights. You may have other legal rights that vary depending on where you live. Some states or provinces do not allow limitations on implied warranties or special, incidental, or consequential damages, so the foregoing limitations may not apply to you.

To make a warranty claim, do not return this appliance to the store. Instead, email [customerservice@thebeast.com](mailto:customerservice@thebeast.com). For faster service, locate the model, type, and series numbers on your appliance.

**Strong inside.™**



Designed in Los Angeles

[thebeast.com](http://thebeast.com)  
[thebeast.com/patents](http://thebeast.com/patents)

BEAST® is a registered trademark of Beast Health, LLC  
Copyright© 2020 Beast Health, LLC Los Angeles, CA 90272 | All rights reserved