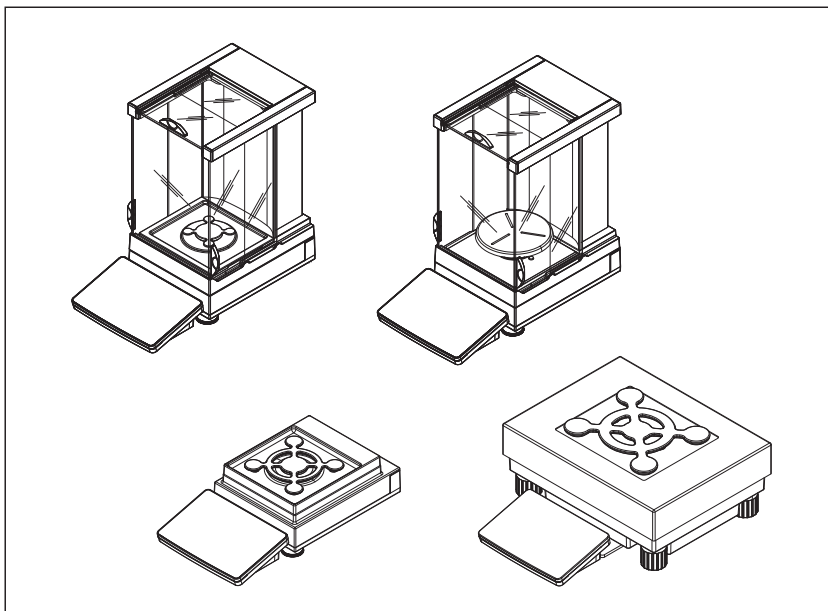


Precision Balances and Comparators

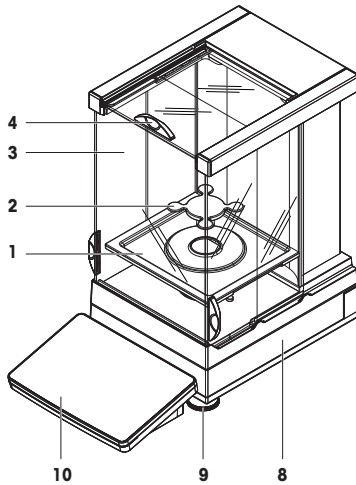
XPR models



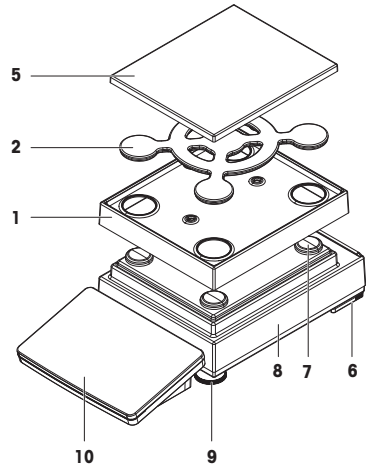
METTLER TOLEDO

Overview balances with S weighing platform

0.1 mg



5 mg / 10 mg

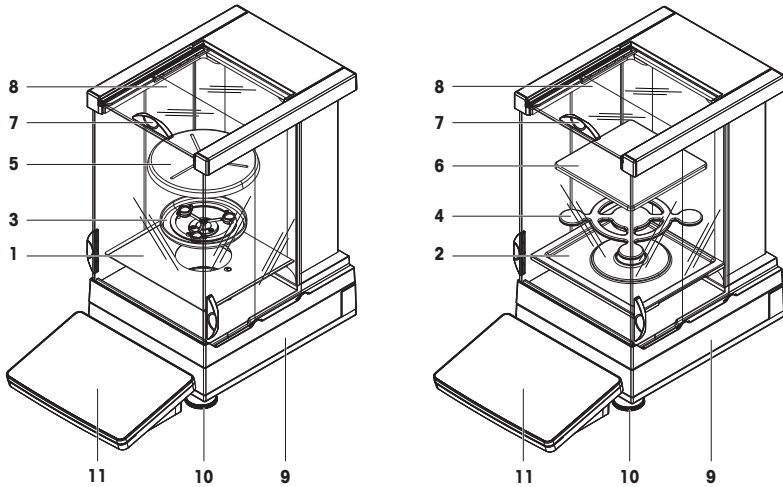


Legend balances with S weighing platform

1	DripTray	6	Safety foot
2	SmartPan weighing pan	7	Weighing pan support cap
3	Pro Draft Shield	8	Weighing platform with protective cover
4	Pro Draft Shield door handler	9	Leveling foot
5	Weighing pan with protective cover	10	Terminal with protective cover

Overview comparators with S weighing platform

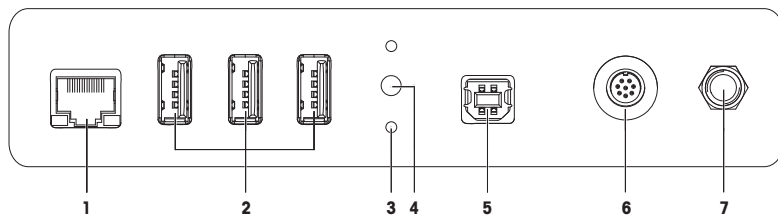
0.1 mg / 1 mg



Legend comparators with S weighing platform

1	Bottom plate	7	Pro Draft Shield door handler
2	DripTray	8	Pro Draft Shield
3	LevelMatic weighing pan holder	9	Weighing platform with protective cover
4	SmartPan weighing pan	10	Leveling foot
5	LevelMatic weighing pan	11	Terminal with protective cover
6	Weighing pan		

Overview interface board S weighing platform

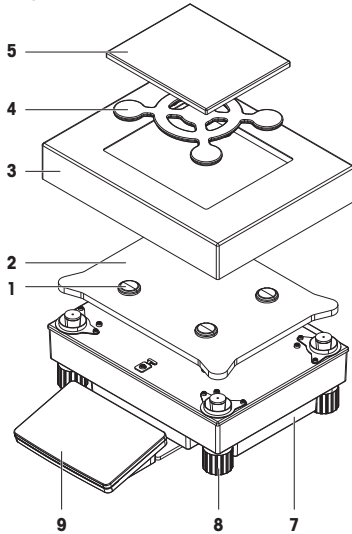


Legend interface board S weighing platform

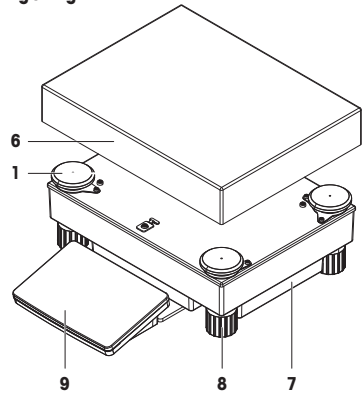
1	Ethernet port	5	USB host port
2	USB device ports	6	Socket for terminal connection cable
3	Fixations for optional terminal stand	7	Socket for AC/DC adapter
4	Service seal		

Overview balances with L weighing platform

10 mg



0.1 g / 1 g

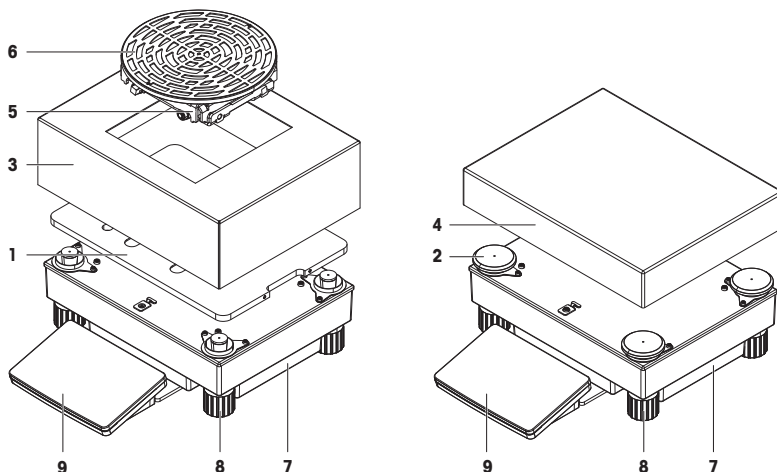


Legend balances with L weighing platform

1	Weighing pan support cap	6	Weighing pan
2	Adapter plate	7	Weighing platform
3	Draft shield element	8	Leveling foot
4	SmartPan weighing pan	9	Terminal with protective cover
5	Weighing pan with protective cover		

Overview comparators with L weighing platform

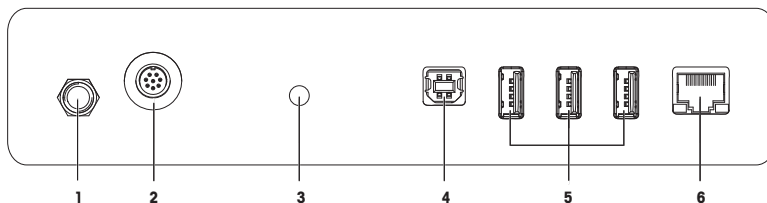
1 mg / 5 mg / 10 mg



Legend comparators with L weighing platform

1	Adapter plate with LevelMatic base plate	6	LevelMatic weighing pan
2	Weighing pan support cap	7	Weighing platform
3	Draft shield element	8	Leveling foot
4	Weighing pan	9	Terminal with protective cover
5	LevelMatic weighing pan holder		

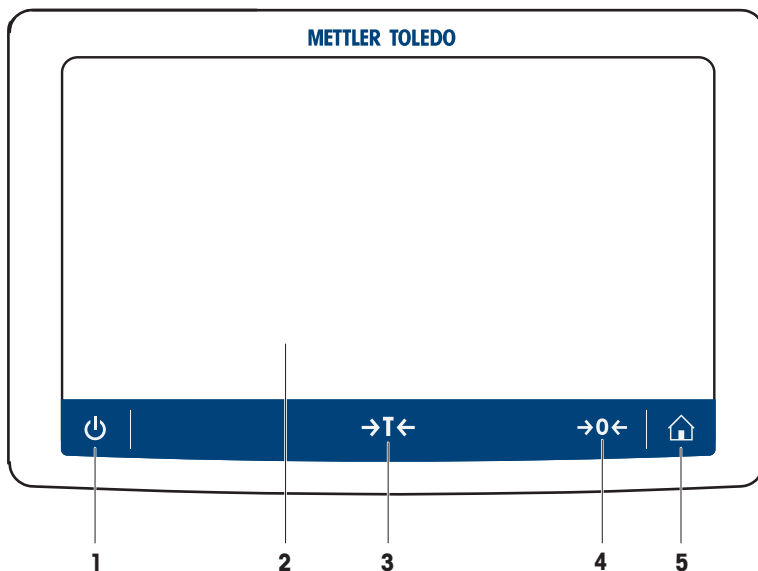
Overview interface board L weighing platform








Legend interface board L weighing platform

1	Socket for AC/DC adapter	4	USB host port
2	Socket for terminal connection cable	5	USB device ports
3	Service seal	6	Ethernet port

Overview terminal



Legend terminal

No.	Key	Name	Explanation
1		ON/OFF	Switches the balance on/off. By tapping  , the balance is not completely switched off but goes into standby mode. To switch the balance completely off, it must be unplugged from the power supply. Note Do not disconnect the balance from the power supply unless the balance is not used for an extended period of time.
2	-	7 inch capacitive TFT touchscreen	The touchscreen shows information about the current weighing process.
3		Tare	Tares the balance. This function is used when the weighing process involves containers. After taring the balance, the screen shows Net which indicates that all displayed weights are net.
4		Zero	Zeroes the balance. The balance must always be zeroed before starting the weighing process. After zeroing, the balance sets a new zero point.
5		Home	To return from any menu level to the home screen.

1 Safety Information

- Read and understand the instructions in this manual before using the balance.
- Keep this manual for future reference.
- Include this manual if you pass on the balance to other parties.

If the balance is not used according to the instructions in this manual or if it is modified, the safety of the balance may be impaired and Mettler-Toledo GmbH assumes no liability.

Finding more information



Additional information about this balance can be found in the Operating Instructions on the CD-ROM or online.

► www.mt.com/XPR-precision-OI

► www.mt.com/library

1.1 Definition of signal warnings and symbols

Safety notes are marked with signal words and warning symbols. These show safety issues and warnings. Ignoring the safety notes may lead to personal injury, damage to the instrument, malfunctions and false results.

WARNING for a hazardous situation with medium risk, possibly resulting in death or severe injury if not avoided.

CAUTION for a hazardous situation with low risk, resulting in minor or moderate injury if not avoided.

NOTICE for a hazardous situation with low risk, resulting in damage to the instrument, other material damage, malfunctions and erroneous results, or loss of data.



General hazard



Electrical shock

1.2 Product safety information

Intended use

This balance is designed to be used in laboratories by trained staff. The balance is intended for weighing purposes.

Any other type of use and operation beyond the limits of technical specifications without written consent from Mettler-Toledo GmbH is considered as not intended.

General safety information

This balance complies with current industry standards and the recognized safety regulations; however, it can constitute a hazard in use. Do not open the balance housing: The balance contains no user-serviceable parts. In the event of problems, please contact a METTLER TOLEDO representative.

Always operate and use your instrument only in accordance with the instructions contained in this document. The instructions for setting up your new instrument must be strictly observed.

If the instrument is not used according to the Operating Instructions, protection of the instrument may be impaired and METTLER TOLEDO assumes no liability.

Staff safety

This printed document must be read and understood before using the balance. This printed document must be retained for future reference.

The balance must not be altered or modified in any way. Only use METTLER TOLEDO original spare parts and accessories.

Safety notes



WARNING

Danger of death or serious injury due to electric shock!

Contact with parts that contain a live current can lead to injury and death. If the balance cannot be shut down in an emergency situation, people can be injured or the balance can be damaged.

- 1 Only use the original universal AC/DC adapter delivered with your balance.
- 2 Check that the voltage printed on the balance is the same as your local power supply voltage.
 - ⇒ If this is not the case, under no circumstances connect the AC/DC adapter to the power supply, but contact a METTLER TOLEDO representative.
- 3 Only plug the adapter into a socket which is grounded.



NOTICE

Damage to the balance due to wrong usage.

- 1 Only use indoors in dry locations.
- 2 Do not use pointed objects to operate the touchscreen.
- 3 Only use original METTLER TOLEDO accessories and peripheral devices.
- 4 Do not open the balance housing. It contains no user-serviceable parts. Contact a METTLER TOLEDO representative in case of any issue.

2 Basic Navigation

2.1 Main sections at a glance

The method work screen is the central navigation point where all the menus and settings can be reached (the picture shows the method work screen of the method **General Weighing**). The sections **Balance menu**, **Methods** and **Protocol** can be opened by tapping the drawers along the method work screen.



2.2 Method work screen

The method work screen is the basic screen that appears when working with the balance. Depending on the method, the method work screen can slightly differ, but the basic elements appear for all methods.

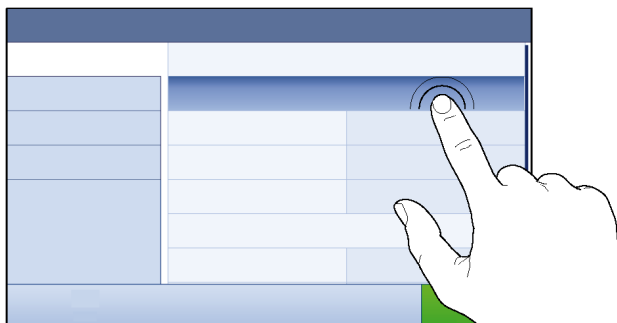


No.	Name	Explanation
1	User name	Shows the name of the current user.
2	Level indicator	Indicates if the balance is leveled.
3	Weighing value field	Shows the current weighing value.
4	Info weight	Shows the current weighing value in another unit.

No.	Name	Explanation
5	Drawer Protocol	In this section the weighing results are being shown.
6	Sample status OK	The weighing result was within the defined tolerances.
7	Sample status Not OK	The weighing result was out of the defined tolerances.
8	Button Add to protocol	Adds the result to the protocol. Depending on the selected method the button can have different functions.
9	Weighing action field	This field contains actions referring to the current task.
10	Method information area	Contains information about sample IDs, method IDs or task IDs.
11	Weighing-in aid	Defines a target weight with upper und lower tolerances.
12	Weighing value area	In this area the result of the current weighing process is shown.
13	Method name	Shows the name of the current method.

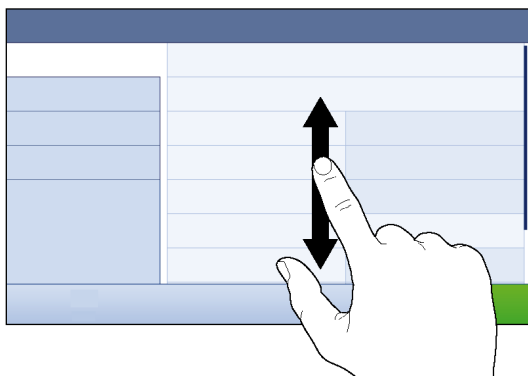
2.3 Opening a section/function

A menu item or a function can be selected or activated by tapping it.



2.4 Scrolling

If a list of available options or results is longer than the size of the screen, a scroll bar appears on the right side of the list. Place the finger on the list and move the finger up and down to scroll through the list.



3 Installation and Putting into Operation

Disclaimer for comparators

In this document "balance" is a terminology preamble and stands for comparators.

Comparators are characterized by their higher resolution compared to balances and are mainly used for differential weighing application, such as the calibration of standard weights. Beside standard balance tests, comparators have also been tested with differential repeatability (ABA repeatability) during production.

This information is valid for models of the line/s:

XPR2004SC	XPR26003LC
XPR5004SC	XPR32003LD5C
XPR2003SC	XPR64003LD5C
XPR5003SC	XPR64002LC
XPR10003SC	

Finding more information



Additional information about this balance can be found in the Operating Instructions on the CD-ROM or online.

► www.mt.com/XPR-precision-OI

► www.mt.com/library



WARNING

Risk of electric shock

The balance must be disconnected from the power supply before performing all setup and assembly work.

3.1 Unpacking the balance

Open the balance packaging and check for transportation damage or missing parts. Please inform a METTLER TOLEDO representative in the event of missing or defective parts.

We recommend retaining the original box with its packaging elements. The packaging elements are designed to protect the balance. Use the packaging elements and the original box to store and transport the balance.

3.2 Scope of delivery



NOTICE

Risk of damage to the instrument due to the use of unsuitable parts!

Using unsuitable parts with the instrument can damage the Instrument or cause it to malfunction.

- Only use parts from METTLER TOLEDO that are intended to be used with your instrument.

3.2.1 Balances with S weighing platform

Components	0.1 mg with Pro Draft Shield	1 mg with Pro Draft Shield	1 mg without Pro Draft Shield	5 mg / 10 mg	0.1 g
Weighing platform with protective cover	✓	✓	✓	✓	✓
Terminal with protective cover	✓	✓	✓	✓	✓

Components	0.1 mg with Pro Draft Shield	1 mg with Pro Draft Shield	1 mg without Pro Draft Shield	5 mg / 10 mg	0.1 g
Terminal support	✓	✓	✓	✓	✓
Terminal connection cable (pre-assembled)	✓	✓	✓	✓	✓
Pro Draft Shield	✓	✓	–	–	–
Weighing pan 127 x 127 mm	–	✓	–	–	–
Weighing pan 172 x 205 mm	–	–	–	✓	–
Weighing pan 193 x 223 mm	–	–	–	–	✓
SmartPan weighing pan	✓	✓	✓	✓	–
Weighing pan support	–	–	–	–	✓
DripTray	✓	✓	✓	✓	–
Ring seal	✓	–	–	–	–
Weighing hook for below-the-balance weighing	✓	✓	✓	✓	✓
AC/DC adapter	✓	✓	✓	✓	✓
Power cable (country-specific)	✓	✓	✓	✓	✓
Operating instructions and user manuals printed or on CD-ROM (country-specific)	✓	✓	✓	✓	✓
Production certificate	✓	✓	✓	✓	✓
CE declaration of conformity	✓	✓	✓	✓	✓

3.2.2 Comparators with S weighing platform

Components	0.1 mg	1 mg
Weighing platform with protective cover	✓	✓
Terminal with protective cover	✓	✓
Terminal support	✓	✓
Terminal connection cable (pre-assembled)	✓	✓
Pro Draft Shield (not for XPR10003SC)	✓	✓
Draft shield XP W12 (only for XPR10003SC)	–	✓
SmartPan weighing pan	✓	✓
LevelMatic weighing pan Ø 130 mm (not for XPR2003SC)	✓	✓
Bottom plate	✓	✓
Ring seal	✓	–
Weighing hook for below-the-balance weighing	✓	✓
AC/DC adapter	✓	✓
Power cable (country-specific)	✓	✓
Operating instructions and user manuals printed or on CD-ROM (country-specific)	✓	✓

Components	0.1 mg	1 mg
Mass calibration software MC Link	✓	✓
Production certificate	✓	✓
CE declaration of conformity	✓	✓

3.2.3 Balances with L weighing platform

Components	10 mg	0.1 g / 1 g
Weighing platform	✓	✓
Terminal with protective cover	✓	✓
Terminal support	✓	✓
Terminal connection cable	✓	✓
Draft shield element	✓	–
Weighing pan 172 × 205 mm	✓	–
Weighing pan 280 × 360 mm	–	✓
SmartPan weighing pan	✓	–
Power cable (country-specific)	✓	✓
Operating instructions and user manuals printed or on CD-ROM (country-specific)	✓	✓
Production certificate	✓	✓
CE declaration of conformity	✓	✓

3.2.4 Comparators with L weighing platform

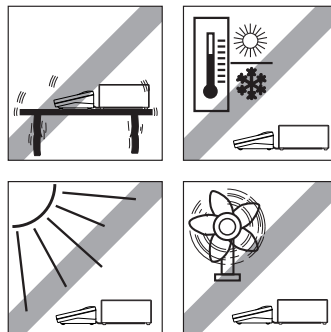
Components	1 mg	5 mg	10 mg
Weighing platform	✓	✓	✓
Terminal with protective cover	✓	✓	✓
Terminal support	✓	✓	✓
Terminal connection cable	✓	✓	✓
Draft shield element XP W64 (only for XPR26003LC and XPR64003LD5C)	✓	✓	–
Weighing pan 280 × 360 mm (not for XPR64003LD5C and XPR64002LC)	–	✓	✓
LevelMatic weighing pan Ø 220 mm with draft shield element and weighing pan holder (not for XPR32003LD5C)	✓	✓	–
Weighing pan Ø 220 mm with draft shield cover (only for XPR64002LC)	–	–	✓
Power cable (country-specific)	✓	✓	✓
Transport case (only for XPR64002LC)	–	–	✓
Operating instructions and user manuals printed or on CD-ROM (country-specific)	✓	✓	✓
Mass calibration software MC Link	✓	✓	✓
Production certificate	✓	✓	✓

Components	1 mg	5 mg	10 mg
CE declaration of conformity	✓	✓	✓

3.3 Selecting the location

A balance is a sensitive precision instrument. The location where it is placed will have a profound effect on the accuracy of the weighing results.

- Choose a solid table that is as horizontal as possible. Choose the table according to the maximum capacity of the balance.
- The balance must only be used indoors and up to a maximum altitude of 4,000 m above sea level.
- Before switching on the balance, wait until all parts are at room temperature (+10 °C to +30 °C). The humidity must be between 10% and 80% non-condensing.
- The power plug must be accessible.
- Vibration-free location
- No direct sunlight
- No excessive temperature fluctuations
- No strong drafts



3.4 Assembling balances with S weighing platform

3.4.1 Attaching the terminal to the weighing platform

The terminal is usually placed in front of the weighing platform on the terminal support. The terminal can also be placed individually, e.g. beside the weighing platform or it can be fixed on an additional terminal stand.



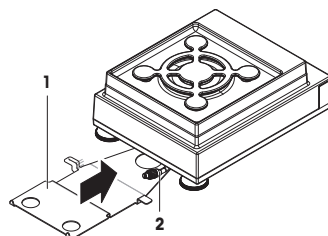
NOTICE

Damage to the balance

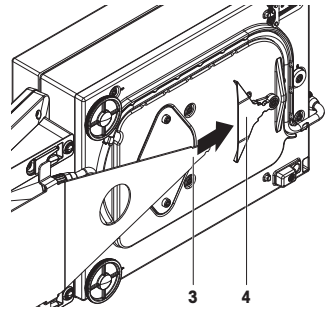
The weighing platform and the terminal are not safely fixed by the terminal support and may fall off when carrying.

- Remove the terminal from the weighing platform and place it on the weighing pan when carrying the balance.

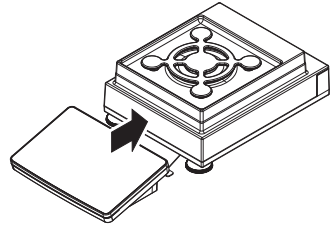
- 1 Place the weighing platform on a flat surface.
- 2 Position the terminal support (1) in front of the weighing platform. The plug of the pre-mounted terminal connection cable (2) must lie between the terminal support (1) and the weighing platform.



- 3 Push the terminal support towards the weighing platform. The far end of the terminal support (3) must be pushed into the lock element (4) at the bottom of the weighing platform.
- 4 Use the terminal connection cable to connect the terminal with the weighing platform.



- 5 Place the terminal on top of the terminal support.
 - 6 Push the terminal towards the weighing platform until the terminal locks into the terminal support.
- ⇒ The terminal is mounted and connected to the weighing platform.

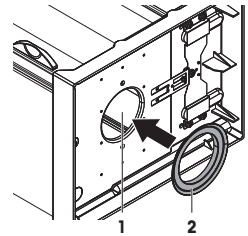


3.4.2 Balances 0.1 mg with Pro Draft Shield and SmartPan weighing pan

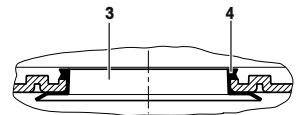
Note

The 0.1 mg balances with Pro Draft Shield are equipped with a ring seal. The aim of the ring seal is to isolate the weighing chamber from draft and must always be correctly installed at the bottom of the Pro Draft Shield.

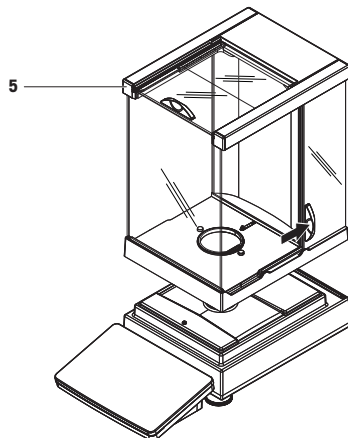
- 1 Turn the Pro Draft Shield carefully sideways into horizontal position.
- 2 Push the ring seal (2) through the opening (1) on the bottom of the Pro Draft Shield.



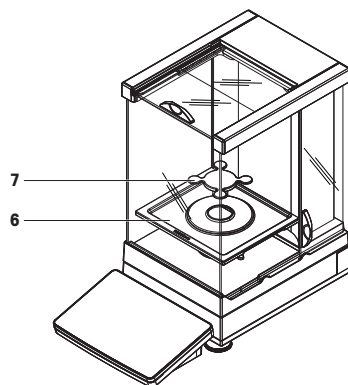
- 3 Fix the ring seal in the opening of the Pro Draft Shield. The ring seal (3) must be properly fixed into the opening. The upper edge (4) of the ring seal must lay all around the bottom of the Pro Draft Shield.
- 4 Turn the Pro Draft Shield carefully back into vertical position.



- 5 Open the Pro Draft Shield with the door handlers on both sides.
- 6 Hold the Pro Draft Shield on the top bars (5) on both sides and place it on top of the weighing platform.

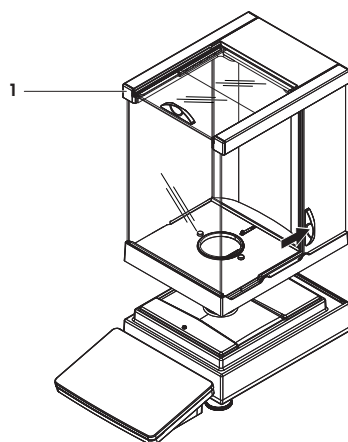


- 7 Place the DripTray (6) into the Pro Draft Shield.
- 8 Place the SmartPan weighing pan (7) into the Pro Draft Shield on top of the DripTray (6).

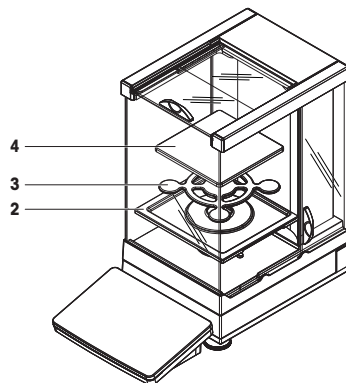


3.4.3 Balances 1 mg with Pro Draft Shield

- 1 Open both side doors of the Pro Draft Shield.
- 2 Hold the Pro Draft Shield on the top bars (1) on both sides.
- 3 Place the Pro Draft Shield on top of the weighing platform.

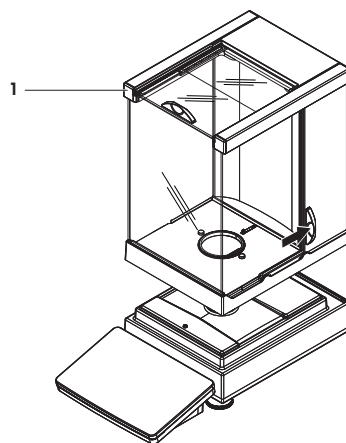


- 4 Place the DripTray (2) into the Pro Draft Shield.
- 5 Place the SmartPan weighing pan (3) into the Pro Draft Shield on top of the DripTray (2).
- 6 The weighing pan (4) is optional and can be placed into the Pro Draft Shield on top of the SmartPan weighing pan (3).

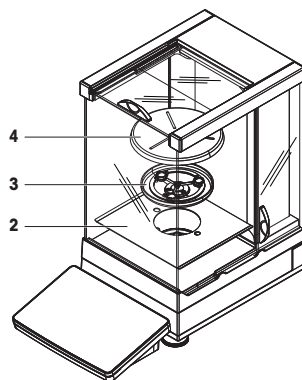


3.4.4 Comparators 0.1 mg and 1 mg with LevelMatic weighing pan

- 1 Open both side doors of the Pro Draft Shield.
- 2 Lift the Pro Draft Shield by holding on the top bars (1) on both sides.
- 3 Place the Pro Draft Shield on top of the weighing platform.

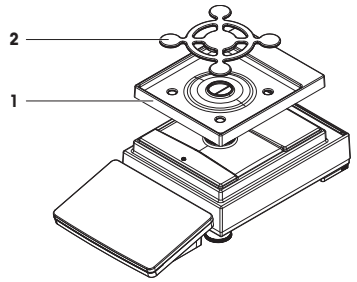


- 4 Place the bottom plate (2) into the Pro Draft Shield.
- 5 Place the LevelMatic holder (3) into the Pro Draft Shield on top of the bottom plate (2).
- 6 Place the LevelMatic weighing pan (4) into the Pro Draft Shield on top of the LevelMatic weighing pan holder (3).



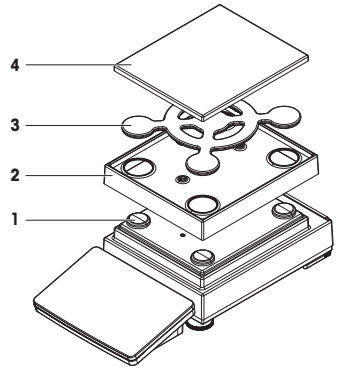
3.4.5 Balances 1 mg with SmartPan weighing pan

- 1 Place the DripTray (1) on top of the weighing platform.
- 2 Place the SmartPan weighing pan (2) on top of the DripTray (1).
- 3 The weighing pan can be placed on top of the SmartPan weighing pan if needed.



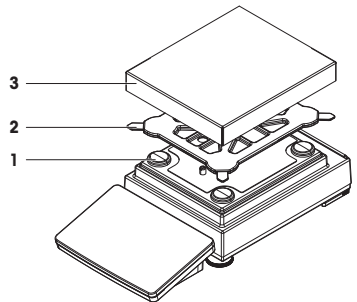
3.4.6 Balances 5 mg / 10 mg with SmartPan weighing pan

- 1 Place the weighing pan support caps (1) on top of the weighing platform.
- 2 Place the DripTray (2) on top of the weighing platform.
- 3 Place the SmartPan weighing pan (3) on top of the 4 weighing pan support caps (1).
- 4 Place the weighing pan with the protective cover (4) on top of the SmartPan weighing pan (3).



3.4.7 Balances 0.1 g

- 1 Place the 4 pan support caps (1) on top of the weighing platform.
- 2 Place the weighing pan support (2) on top of the 4 weighing pan support caps (1).
- 3 Place the weighing pan with the protective cover (3) on top of the weighing pan support (2).

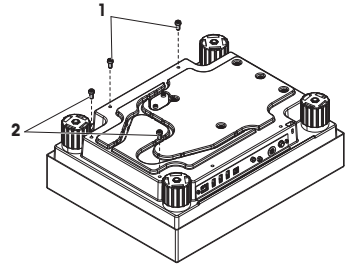


3.5 Assembling balances with L weighing platform

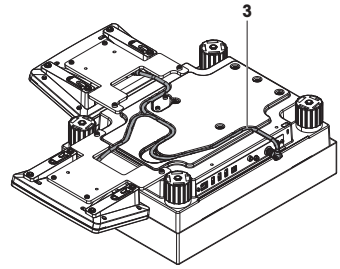
3.5.1 Attaching the terminal to the weighing platform

The terminal can be attached to the long side or to the short side of the L weighing platform.

- 1 Turn the weighing platform upside down.
- 2 Dismantle the screws (1) on the long side or the screws (2) on the short side of the weighing platform.
- 3 Connect the terminal to the weighing platform with the terminal connection cable.
- 4 Attach the terminal support to the long side or to the short side of the weighing platform. Fix the terminal support with the screws from the weighing platform.



- 5 Insert the terminal connection cable (3) into the cable channel.



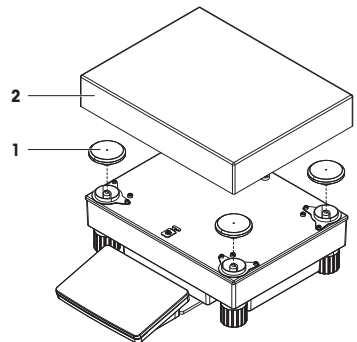
Note

When inserting the terminal connection cable into the cable channel, the terminal connection cable must be inserted simultaneously from both directions. The terminal connection cable must not have any play between the plug and the cable channel (see picture).

- 6 Turn the weighing platform.

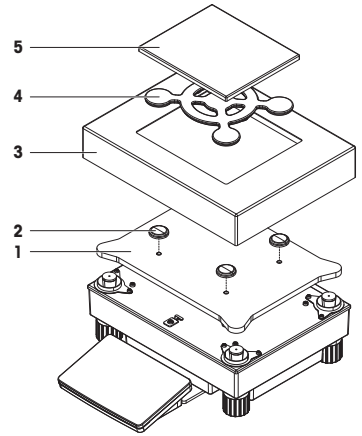
3.5.2 Balances 0.1 g and 1 g

- 1 Place the weighing pan support caps (1) on top of the weighing platform.
- 2 Place the weighing pan (2) on top of the weighing pan support caps (1).



3.5.3 Balances 10 mg with SmartPan weighing pan

- 1 Place the adapter plate (1) on top of the weighing platform.
- 2 Place the weighing pan support caps (2) on top of the adapter plate.
- 3 Place the draft shield element (3) on top of the adapter plate (1).
- 4 Place the SmartPan weighing pan (4) on top of the weighing pan support caps (2).
- 5 Place the weighing pan (5) on top of the SmartPan weighing pan (4) if needed.

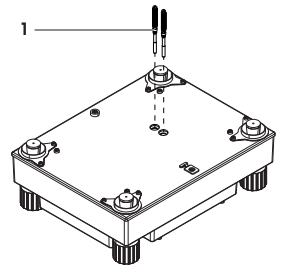


3.5.4 Removing the transport arrestments (only for comparators)

Note

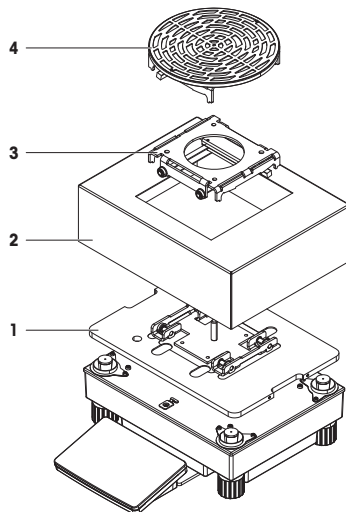
Before installing the weighing pan, the transport arrestments on top of the weighing platform must be removed. Keep the transport arrestments for transporting the comparator.

- 1 Remove the transport arrestments (1) at the top of the weighing platform.
- 2 Close the openings with the enclosed plastic covers.



3.5.5 Comparators 1 mg / 5 mg with LevelMatic weighing pan

- 1 Place the adapter plate with the LevelMatic base plate (1) on top of the weighing platform.
- 2 Place the draft shield element (2) on top of the adapter plate (1).
- 3 Place the LevelMatic weighing pan holder (3) on top of the LevelMatic base plate (1).
- 4 Place the LevelMatic weighing pan (4) on top of the LevelMatic weighing holder (3).



3.6 Connecting the balance to the mains



WARNING

Danger of death or serious injury due to electric shock.

Contact with parts that contain a live current can lead to injury and death.

- 1 To connect the balance, only use the supplied three-core power cable with equipment grounding conductor.
- 2 Only use a three-pin power socket with earthing contact.
- 3 Only use standardized extension cable with equipment grounding conductor.
- 4 Do not disconnect the equipment grounding conductor.



NOTICE

Damage to the balance due to short circuit!

Damage to the insulation on the AC/DC adapter can result in a short circuit and damage the balance.

- 1 Only use the original AC/DC adapter supplied with your balance.
- 2 Route the cable so that it cannot be damaged by external influences.
- 3 Make sure that the power plug is always accessible.

Note

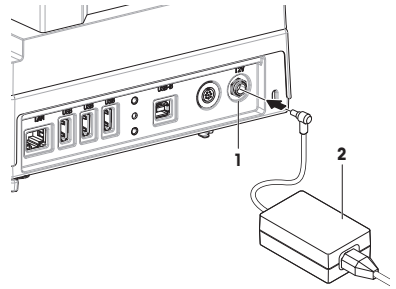
The balance is supplied with an AC/DC adapter and a country-specific power cable. The AC/DC adapter is suitable for use with the following voltage range:

100 – 240 V AC, 50/60 Hz.

Connect the balance to the mains as follows:

- 1 Check whether your local power supply falls within the range of the delivered AC/DC adapter. If this is not the case, under no circumstances connect the AC/DC adapter to the power supply, but contact a METTLER TOLEDO representative.

- 2 Connect the AC/DC adapter (2) to the AC/DC socket (1).
 - 3 Use the power cable to connect the AC/DC adapter to the mains.
- ⇒ The balance performs a self-test after connection to the power supply and is then ready to use.



3.7 Setting up the Balance

3.7.1 Switching on the balance

When the balance is connected to the mains it starts automatically.

EULA (End User License Agreement)

When the balance is switched on for the first time, the EULA (**End User License Agreement**) appears on the screen. Read the conditions, tap **I accept the terms in the license agreement.** and tap **✓ OK.**

Note

Before the balance can be used, it must warm up first. The warm-up time is at least 30 minutes after connecting the balance to the power supply. When the balance was switched on from standby-mode, the balance is ready for operation immediately.

3.7.2 Leveling the balance

When the balance is switched on for the first time or when it is switched on after the location of the balance has been changed, the message **Balance is out of level** appears. By tapping ► the function **Leveling aid** opens. Follow the instructions on the screen to level the balance.

Navigation: ► **Balance menu** >  **Leveling aid**

Note

A leveled balance and a stable installation are prerequisites for accurate weighing results.

3.7.3 Performing a simple weighing

When the balance is switched on for the first time, the method work screen of the method **General Weighing** opens (the method work screen is described in more detail in the section **Method work screen**).

3.7.3.1 Zeroing

- 1 Clear the weighing pan.
 - 2 Close the weighing chamber if the balance has a draft shield.
 - 3 Tap **→0←** to zero the balance.
- ⇒ The balance is zeroed.

3.7.3.2 Taring

If a weighing container is used, the balance must be tared.

- 1 Clear the weighing pan.
- 2 Close the weighing chamber if a draft shield is being used.
- 3 Tap **→0←** to zero the balance.
- 4 Open the weighing chamber if a draft shield is being used.
- 5 Place the container on the weighing pan.
- 6 Close the weighing chamber if a draft shield is being used.

- 7 Tap **→T←** to tare the balance.
⇒ The balance is tared.

3.7.3.3 Performing General Weighing

- 1 Place the weight on top of the weighing pan and wait until the weight value is stable.
- 2 Tap **+ Add to protocol**.
⇒ The weighing process was successful. The weight value has been transferred to the section **Protocol**.

3.7.4 Setting the balance to standby mode

The balance can be set to standby mode by holding **⏻**. The standby mode can be finished by holding **⏻** again.

3.7.5 Switching off the balance

To completely switch off the balance it must be disconnected from the mains. By holding **⏻** the balance goes only into standby mode.

Note

When the balance was completely switched off for some time, it must be warmed up for at least 30 minutes before it can be used.

4 Maintenance

4.1 Cleaning

We recommend periodically cleaning the draft shield, the weighing platform, and the terminal. For cleaning the weighing chamber use the brush supplied with it. The maintenance interval depends on your standard operating procedure (SOP). The balance is made of high-quality, resistant materials and can therefore be cleaned with a commercially available, mild cleaning agent.



WARNING

Danger of death or serious injury due to electric shock!

Contact with parts that contain a live current can lead to injury and death. If the device cannot be shut down in an emergency situation, people can be injured or the device can be damaged.

- 1 Disconnect the device from the power supply prior to cleaning and maintenance.
- 2 Only use METTLER TOLEDO power cables, if these need to be replaced.
- 3 Make sure that no liquid enters the device or AC/DC adapter.
- 4 Do not open the device or AC/DC adapter. These do not contain any user-serviceable parts.



NOTICE

Damage of the balance due to the use of inappropriate cleaning agents!

- On no account use cleaning agents which contain solvents or abrasive ingredients, as this can result in damage to the terminal overlay.

Note

Please contact your METTLER TOLEDO dealer for details of the available service options. Regular servicing by an authorized service engineer ensures constant accuracy for years to come and prolongs the life of your balance.

4.2 Disposal

In conformance with the European Directive 2012/19/EU on Waste Electrical and Electronic Equipment (WEEE) this device may not be disposed of in domestic waste. This also applies to countries outside the EU, per their specific requirements.

Please dispose of this product in accordance with local regulations at the collecting point specified for electrical and electronic equipment. If you have any questions, please contact the responsible authority or the distributor from which you purchased this device. Should this device be passed on to other parties (for private or professional use), the content of this regulation must also be related.

Thank you for your contribution to environmental protection.



5 Technical Data

FCC Rules

This device complies with Industry Canada licence-exempt RSS standard(s) and part 15 of the FCC Rules. Operation is subject to the following two conditions: (1) this device may not cause interference, and (2) this device must accept any interference, including interference that may cause undesired operation of the device.

Changes or modifications not expressly approved by the party responsible for compliance could void the user's authority to operate the equipment.

This equipment has been tested and found to comply with the limits for a Class A digital device, pursuant to part 15 of the FCC Rules. These limits are designed to provide reasonable protection against harmful interference when the equipment is operated in a commercial environment. This equipment generates, uses, and can radiate radio frequency energy and, if not installed and used in accordance with the instruction manual, may cause harmful interference to radio communications. Operation of this equipment in a residential area is likely to cause harmful interference in which case the user will be required to correct the interference at his own expense.

5.1 Balances with S weighing platform

Power supply

AC adapter:	Primary: 100 – 240 V AC, 50/60 Hz Secondary: 12 V DC $\pm 3\%$, min. 2.5 A, max. 6.0 A (with electronic overload protection)
Cable for AC adapter:	3-core, with country-specific plug
Balance power supply:	12 V DC $\pm 3\%$, 2.25 A, maximum ripple: 80 mVpp

Protection and standards

Overvoltage category:	II
Degree of pollution:	2
Protection:	Protected against dust and water
Standards for safety and EMC:	See Declaration of Conformity
Range of application:	For use in closed interior rooms only

Environmental conditions

Height above mean sea level:	Up to 4000 m
Ambient temperature:	5–40 °C
Relative air humidity:	Max. 80% up to 31 °C, linearly decreasing to 50% at 40 °C, noncondensing
Warm-up time:	At least 30 minutes after connecting the balance to the power supply; when switched on from standby-mode, the balance is ready for operation immediately

Environmental conditions Comparators

Height above mean sea level:	Up to 4000 m
Ambient temperature:	10 – 30 °C $\pm 0.5^\circ\text{C}$ / 12 h
Relative air humidity:	40% – 70% $\pm 5\%$ / 4 h
Maximum air speed:	0.15 m/sec
Warm-up time:	At least 60 minutes after connecting the comparator to the power supply. When switched on from standby-mode, the comparator is ready for operation immediately.

Materials

Weighing platform:	Die-cast aluminum, lacquered, plastic and chrome steel
Terminal:	Die-cast zinc, chromed and plastics
Weighing pan:	Chrome-nickel steel X2CrNiMo-17-12-2
SmartPan weighing pan with drip tray:	Die-cast zinc, chromed
LevelMatic weighing pan (Comparators only):	Chrome steel, plastic
Draft shield:	Aluminum, plastic, chrome steel and glass
Draft shield element:	Chrome steel X2CrNiMo-17-13-2

5.2 Balances with L weighing platform

Power supply

AC adapter:	Primary: 100 – 240 V AC, 50/60 Hz Secondary: 12 V DC $\pm 3\%$, min. 2.5 A, max. 6.0 A (with electronic overload protection)
Cable for AC adapter:	3-core, with country-specific plug
Balance power supply:	12 V DC $\pm 3\%$, 2.25 A, maximum ripple: 80 mVpp

Protection and standards

Overvoltage category:	II
Degree of pollution:	2
Protection:	Protected against dust and water
Standards for safety and EMC:	See Declaration of Conformity
Range of application:	For use in closed interior rooms only

Environmental conditions

Height above mean sea level:	Up to 4000 m
Ambient temperature:	5–40 °C
Relative air humidity:	Max. 80% up to 31 °C, linearly decreasing to 50% at 40 °C, noncondensing
Warm-up time:	At least 30 minutes after connecting the balance to the power supply; when switched on from standby-mode, the balance is ready for operation immediately

Environmental conditions Comparators

Height above mean sea level:	Up to 4000 m
Ambient temperature:	10 – 30 °C $\pm 0.5^\circ\text{C}$ / 12 h
Relative air humidity:	40% – 70% $\pm 5\%$ / 4 h
Maximum air speed:	0.15 m/sec
Warm-up time:	At least 60 minutes after connecting the comparator to the power supply. When switched on from standby-mode, the comparator is ready for operation immediately.

Materials

Weighing platform:	Sheet aluminum, die cast, laquered, plastic and chrome steel
Terminal:	Die-cast zinc, chromed and plastics
Weighing pan:	Chrome-nickel steel X5CrNi18-10
SmartPan weighing pan with drip tray:	Die-cast zinc, chromed
LevelMatic weighing pan (Comparators only):	Chrome-nickel steel and aluminium
Draft shield:	Plastic, chrome-nickel steel, aluminium and glass

GWP®

Good Weighing Practice™

GWP® is the global weighing standard, ensuring consistent accuracy of weighing processes, applicable to all equipment from any manufacturer. It helps to:

- Choose the appropriate balance or scale
- Calibrate and operate your weighing equipment with security
- Comply with quality and compliance standards in laboratory and manufacturing

 www.mt.com/GWP

www.mt.com/balances

For more information

Mettler-Toledo GmbH

Im Langacher 44
8606 Greifensee, Switzerland
www.mt.com/contact

Subject to technical changes.
© Mettler-Toledo GmbH 09/2017
30357071A en



30357071