

WLC X2 Precision Balances

Advanced weighing under laboratory and less challenging industrial conditions



WLC X2, d = 0.001 g



WLC X2, d = 0.01 g



WLC X2, d = 0.1 g



Communication interfaces

Functions

- | | | | | |
|----------------|------------------|-----------------------|--------------------------------|-------------------|
| Parts counting | Percent weighing | Density determination | GLP procedures | Alibi memory |
| Dosing | Statistics | Under hook weighing | Proximity sensors | Replaceable unit |
| Checkweighing | Animal weighing | Peak hold | Ambient conditions measurement | Multilingual menu |
| Formulations | Autotest | | | |

Features

Reliable Results and High Measurement Precision

Excellent performance and weighing precision enable applying WLC X2 balances in laboratories and industries.

Excellent Weighing Parameters and Comfort of Operation

Thanks to a clear and intuitive menu layout and 5" colour touch screen, maximum comfort and incredibly easy operation are both ensured.

Customization via Widgets

WLC X2 software enables designing widgets layout on the display. Display customization allows you to run any selected function directly from the home screen.

Automatic Adjustment

Internal adjustment system guarantees the highest accuracy and reliable measurements results.

Touch-Free Operation

Two programmable proximity sensors can be assigned with any function or application. The given function when assigned is both run and operated touch-free.

Numerous Options of Data Management

The instrument enables saving all data of carried out measurements as reports and graphs.

Wide Capacity Range for Different Applications

Wide capacity range enables you to select appropriate weighing instrument suiting your needs and requirements.

Technical Specifications

	WLC 0.2.X2	WLC 0.6.X2	WLC 1/10.X2	WLC 2.X2
Maximum capacity [Max]	0.2 kg	0.6 kg	1 kg / 10 kg	2 kg
Minimum load	—	—	—	—
Readability [d]	0.001 g	0.01 g	0.01 g / 0.1 g	0.01 g
Verification scale interval [e]	—	—	—	—
Tare range	-0.2 kg	-0.6 kg	-10 kg	-2 kg
Repeatability*	0.0014 g	0.008 g	0.015 g / 0.08 g	0.015 g
Linearity	±0.003 g	±0.03 g	±0.03 g / ±0.3 g	±0.03 g
Stabilization time	2 s	2 s	~ 4 s / 2 s	2 s
Adjustment	internal	internal	external	internal
Verification	—	—	—	—
OIML Class	—	—	—	—
Display	5" capacitive colour touch screen	5" capacitive colour touch screen	5" capacitive colour touch screen	5" capacitive colour touch screen
Keypad	6 keys	6 keys	6 keys	6 keys
Protection class	IP 43	IP 43	IP 43	IP 43
Touch-free operation	2 programmable proximity sensors	2 programmable proximity sensors	2 programmable proximity sensors	2 programmable proximity sensors
USB-A	1	1	1	1
USB-B	1	1	1	1
RS 232	2	2	2	2
Wireless Connection	802.11 b/g/n	802.11 b/g/n	802.11 b/g/n	802.11 b/g/n
Ethernet	10 / 100 Mbit	10 / 100 Mbit	10 / 100 Mbit	10 / 100 Mbit
Power consumption	12 ÷ 16 V DC	12 ÷ 16 V DC	12 ÷ 16 V DC	12 ÷ 16 V DC
Power supply	4 W	4 W	4 W	4 W
Operating temperature	+10 ÷ +40 °C	+10 ÷ +40 °C	+10 ÷ +40 °C	+10 ÷ +40 °C
Atmospheric humidity**	40 ÷ 80 %	40 ÷ 80 %	40 ÷ 80 %	40 ÷ 80 %
Weighing pan dimensions	∅ 100 mm	128 × 128 mm	195 × 195 mm	195 × 195 mm
Weighing device dimensions	333 × 206 × 280 mm	333 × 206 × 100 mm	333 × 206 × 100 mm	333 × 206 × 100 mm
Net weight	1.8 kg	2.2 kg	2.2 kg	2.2 kg
Gross weight	3.4 kg	3.8 kg	3.8 kg	3.8 kg
Packaging dimensions	470 × 380 × 336 mm	470 × 380 × 336 mm	470 × 380 × 336 mm	470 × 380 × 336 mm

* repeatability is expressed as a standard deviation from 10 weighing cycles

** non-condensing conditions

In accordance with type approval, the balance parameters are maintained in temperature range: +15 ÷ +35 °C.

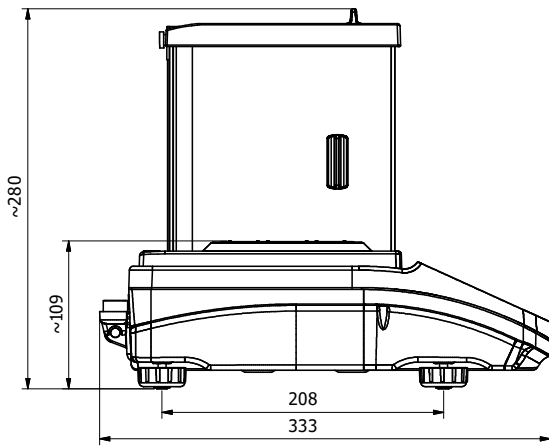
	WLC 6.X2	WLC 10.X2	WLC 20.X2	WLC 21.X2
Maximum capacity [Max]	6 kg	10 kg	20 kg	21 kg
Minimum load	—	—	—	—
Readability [d]	0.1 g	0.1 g	0.1 g	1 g
Verification scale interval [e]	—	—	—	—
Tare range	-6 kg	-10 kg	-20 kg	-21 kg
Repeatability*	0.1 g	0.08 g	0.1 g	0.8 g
Linearity	±0.3 g	±0.3 g	±0.3 g	±3 g
Stabilization time	2 s	2 s	3 s	3 s
Adjustment	internal	external	external	external
Verification	—	—	—	—
OIML Class	—	—	—	—
Display	5" capacitive colour touch screen	5" capacitive colour touch screen	5" capacitive colour touch screen	5" capacitive colour touch screen
Keypad	6 keys	6 keys	6 keys	6 keys
Protection class	IP 43	IP 43	IP 43	IP 43
Touch-free operation	2 programmable proximity sensors	2 programmable proximity sensors	2 programmable proximity sensors	2 programmable proximity sensors
USB-A	1	1	1	1
USB-B	1	1	1	1
RS 232	2	2	2	2
Wireless Connection	802.11 b/g/n	802.11 b/g/n	802.11 b/g/n	802.11 b/g/n
Ethernet	10 / 100 Mbit	10 / 100 Mbit	10 / 100 Mbit	10 / 100 Mbit
Power consumption	12 ÷ 16 V DC	12 ÷ 16 V DC	12 ÷ 16 V DC	12 ÷ 16 V DC
Power supply	4 W	4 W	4 W	4 W
Operating temperature	+10 ÷ +40 °C	+10 ÷ +40 °C	+10 ÷ +40 °C	+10 ÷ +40 °C
Atmospheric humidity**	40 ÷ 80 %	40 ÷ 80 %	40 ÷ 80 %	40 ÷ 80 %
Weighing pan dimensions	195 × 195 mm	195 × 195 mm	195 × 195 mm	195 × 195 mm
Weighing device dimensions	333 × 206 × 100 mm	333 × 206 × 100 mm	333 × 206 × 100 mm	333 × 206 × 100 mm
Net weight	2.2 kg	2.2 kg	2.2 kg	2.2 kg
Gross weigh	3.8 kg	3.8 kg	3.8 kg	3.8 kg
Packaging dimensions	470 × 380 × 336 mm	470 × 380 × 336 mm	470 × 380 × 336 mm	470 × 380 × 336 mm

* repeatability is expressed as a standard deviation from 10 weighing cycles

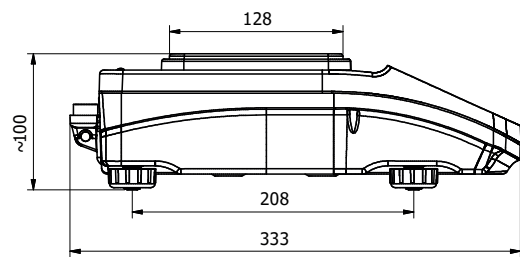
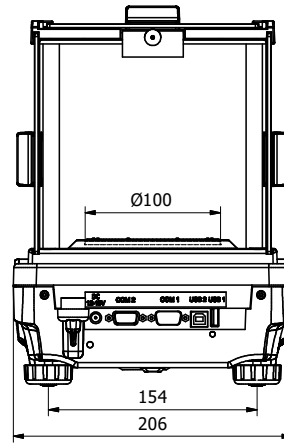
** non-condensing conditions

In accordance with type approval, the balance parameters are maintained in temperature range: +15 ÷ +35 °C.

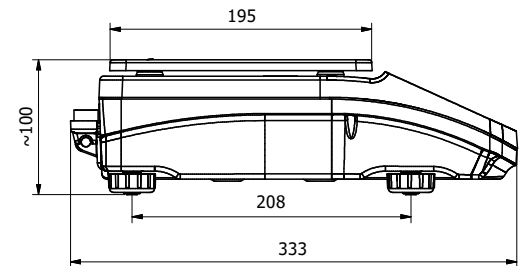
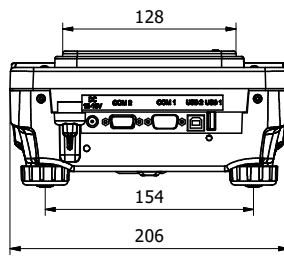
Dimensions



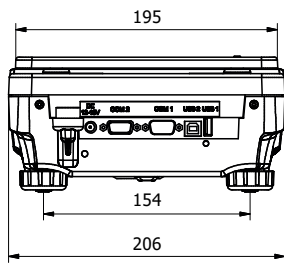
WLC X2, d = 0.001 mg



WLC X2, d = 0.01 mg



WLC X2, d = 0.1 mg



Accessories

Weighing Tables

- granite antivibration table

Professional Weighing

- under-hook weighing rack

Peripheral Devices

- Epson dot matrix printer
- barcode scanners
- WD-6 LCD display

Cables, Converters

- P0108: RS 232 cable (balance-computer)
- P0151: RS 232 cable (balance - Epson printer)
- USB cable type A-B

Electrical Accessories

- ZR-02 power supply with battery

Remaining Accessories

- suitcase for PS

Dedicated Software

R-LAB

- collecting measurements
- carrying out statistical analysis of measurements
- customized graphs and reports

E2R Weighing Records

- complete, automated databases synchronization
- fully supported processes of labelling and parts counting
- record of weighings, weighings archiving
- basic and advanced (with graphs) reports

Alibi Reader

- readout of data saved to Alibi memory
- export of data saved to Alibi memory
- data filtering and reports generating
- saving ALIBI database to CSV file

R.Barcode

- The basic function software is presentation of the data sent by barcode scanners connected to PC via USB or RS232

RAD KEY

- Establishing cooperation between a weighing instrument and a computer

Radwag Development Studio

- presentation of functions (and subfunctions) of communication protocol (Common Communication Protocol)
- possibility of connection with weighing equipment on which each

function is carried out,

- library with mass control, contained within the development environment
- complete documentation of the communication protocol
- set of user manuals for different solutions addressed for programmers employed in companies using RADWAG-manufactured weighing equipment

RADWAG Connect

- establishing communication with all balances, scales and weighing modules using Common Communication Protocol
- communication via local network,
- support of basic functions
- auto searching for devices
- connecting with few devices simultaneously, swapping between them
- clear list of connected platforms
- record of measurements in the program,
- export of carried out measurements to CSV file,
- work performed using freely selected device with Windows 10 operating system

LabView Driver

- operation of RADWAG balances in LabView environment