



FRONTIER™ 5513L

High-Speed Micro Centrifuges



Compact Micro Centrifuge with Modern Touch-Wheel Interface for Ideal Routine Centrifugation of Microtubes

Frontier 5513L is a space-saving micro centrifuge capable of spinning 18 x 1.5/2.0 ml microtubes and generating forces up to 15,995 x g for basic molecular biology applications like DNA/RNA purification and extraction. Engineered with convenient operation in mind, Frontier 5513L features a uniquely designed splash-proof front panel with touch-wheel control for quick and easy adjustment.

Unique Features:


- Frontier 5513L includes an ergonomically designed 18 x 1.5/2.0 ml microtube rotor that quickly and easily closes with 1/4 of a turn. Adapters allow for spinning of 0.5 ml or 0.2/0.4 ml microtubes.
- Designed for ease of operation, the FC5513L features convenient control on a protective splash-proof interface, which allows for responsive operation—even when wearing gloves.
- With a small footprint, Frontier 5513L centrifuge is compact enough to save valuable space on the bench, yet large enough to accommodate sufficient number of microtubes ideal for DNA applications.

FRONTIER™ 5513L High-Speed Micro Centrifuges

Specifications

Model	FC5513L
Speed Range	200 rpm – 14,000 rpm; 10 rpm/increments
Maximum RCF	15,994 x g; 10 x g/increments
Maximum Capacity (Rotor)	18 x 1.5/2.0 ml
Temperature Range	Air cooled
Running Time	Quick Spin, 10 sec to 99 hr 59 min 59 sec, or continuous
Noise Level	≤ 57 + 2 dB(A)
Acc/Dec Levels	10
Allowable Density at Maximum Speed	1.2 g/ml
Allowable Kinetic Energy	1,429 Nm
AC Power	120 – 230 V ~ 50/60 Hz
Voltage Fluctuation	± 10%
Current Consumption	1.7 A
Power Consumption	130 W
Dimensions (W x D x H)	10.9 x 14.0 x 9.3 in. / 277 x 356 x 236 mm
Net Weight (without rotor)	29.8 lb / 13.5 kg
Shipping Dimensions (W x D x H)	370 x 470 x 340 mm
Shipping Weight (without rotor)	34.17 lb / 15.5 kg
Environment	For indoor use only

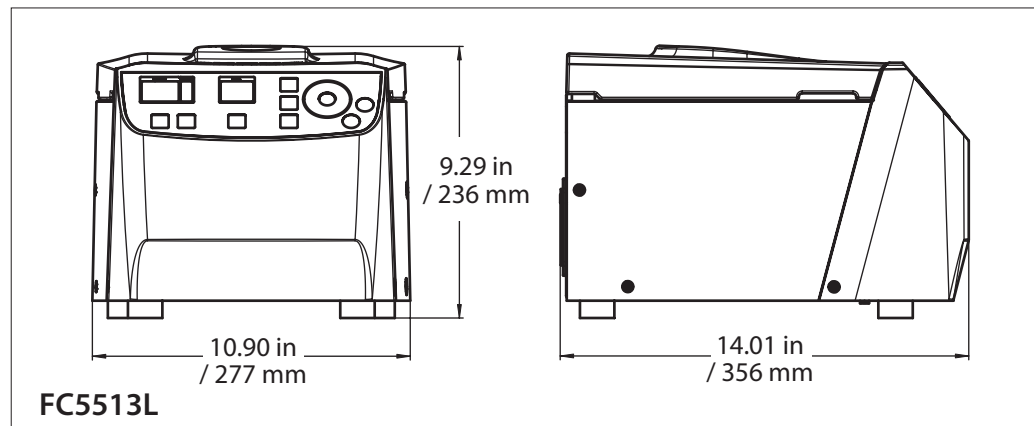
Rotors & Accessories

	Order No.	83041006
	Description	Rotor Angle 18 x 1.5/2.0 ml Sealable
	Compatible with	FC5513
	Max. Speed	14,000 rpm
	Max. RCF	15,994 x g

Accessories

Order No.	Description	Vol./Tube	Diameter	Tube Type	No. of Tubes/Rotor
Without Adapter	Rotor Angle 18 x 1.5/2.0 ml Sealable	1.5/2.0 ml	11 mm	Microtube	18
30130885	Adapter 1 x 0.5 ml D8 mm 6/pk	0.5 ml	8 mm	Microtube	18
30130884	Adapter 1 x 0.2/0.4 ml D6 mm 6/pk	0.2/0.4 ml	6 mm	Microtube	18

Outline Dimensions



Other Standard Features and Equipment

Ten acceleration and ten deceleration rates, pre-selection of running time from 10 sec to 99 hr 59 min or continuous, audible signal at the end of each run with melody options, quick spin for short runs

Compliance

- **Product Safety:** IEC/EN 61010-1; IEC/EN 61010-2-020
- **Electromagnetic Compatibility:** IEC/EN 61326-1 Class B, Basic environments
- **Compliance Mark:** CE

80776875_A 20230717 © Copyright OHAUS Corporation

OHAUS CORPORATION

Tel: 800.672.7722

973.377.9000

Fax: 973.944.7177

www.ohaus.com

The management system governing the manufacture of this product is ISO 9001:2015 certified.

