



# Rocking & Waving Shakers



## *Reliable Rocking and Waving Shakers with Simple Adjustments for Tilt Angle and Speed*

OHAUS Rocking and Waving Shakers are innovatively designed for use in a wide range of lab applications. Rocking Shakers provide controlled seesaw-like motion, while Waving Shakers offer a smooth, low-foaming, 3D wave motion. Available in microprocessor-controlled digital models and economical non-digital models. All models include a non-slip mat, and most models are available with a stacking tray option to easily double the capacity.

### *Standard Features:*

- Electronic control allows simple tilt angle and speed adjustments while the unit is still running to achieve optimal mixing.
- Achieve reproducible results you can trust with digital models. Precisely adjust the tilt angle in 1° increments with variable speed down to 1 rpm with intuitive touchpad controls.
- Optimal speed ramping feature slowly increases speed to desired setpoint to avoid splashing. Smooth rocking or waving motion is maintained with state-of-the-art motor and electronics.

# Rocking & Waving Shakers

Model	SHRK07AL1	SHRK07AL2	SHRK04DG	SHWV02AL	SHWV02DG
Control	Analog	Analog	Digital	Analog	Digital
Motion / Tilt Angle	Rocking / 0 – 15°			Waving / 0 – 16°	Waving / 0 – 20°
Speed Range	1 – 75 rpm		1 – 50 rpm	1 – 75 rpm	1 – 30 rpm
Speed Accuracy	± 1 rpm				
Timer	1 minute – 120 minutes		1 second – 160 hours	1 minute – 120 minutes	1 second – 160 hours
Capacity	16 lb / 7.3 kg		10 lb / 4.5 kg	5 lb / 2.3 kg	
Working Environment	14 °F – 140 °F, 80% Relative Humidity, non-condensing / -10 °C – 60 °C, 80% Relative Humidity, non-condensing				
Drive System	Stepper Motor				
Included Tray (L x W)	14 in. x 11 in. / 356 x 279 mm		12.75 in. x 10 in. / 324 x 254 mm	14 in. x 11 in. / 356 x 279 mm	11.75 in. x 8.75 in. / 299 x 222 mm
Tray Construction	Aluminum				
Tiers	1	2	1		
Overall Dimensions (L x W x H)	16.8 x 11 x 6.5 in. / 425 x 279 x 165 mm	16.8 x 11 x 9.5 in. / 425 x 279 x 241 mm	16.8 x 10 x 5.5 in. / 425 x 254 x 140 mm	16.8 x 11 x 6.5 in. / 425 x 279 x 165 mm	17 x 11 x 6 in. / 432 x 279 x 152 mm
Net Weight	14.6 lb / 6.6 kg	15.5 lb / 7 kg	14.6 lb / 6.6 kg		15.2 lb / 6.9 kg
Power	120V, 0.125A, 50/60Hz		120V, 5A, 50/60Hz	120V, 0.125A, 50/60Hz	120V, 5A, 50/60Hz
Power Consumption	15 W		25 W		

## Other Standard Features and Equipment

Built-in tray with non-slip rubber mat (included), overload protection with audio/visual alarm on digital models and audible alarm on analog models

## Compliance

- **Product Safety:** CAN/CSA C22.2 61010-1, CAN/CSA C22.2 61010-2-051, UL 61010-1, UL 61010-2-051
- **Electromagnetic Compatibility:** ICES-003 Class A, FCC Part 15 Class A
- **Compliance Marks:** TÜV SÜD

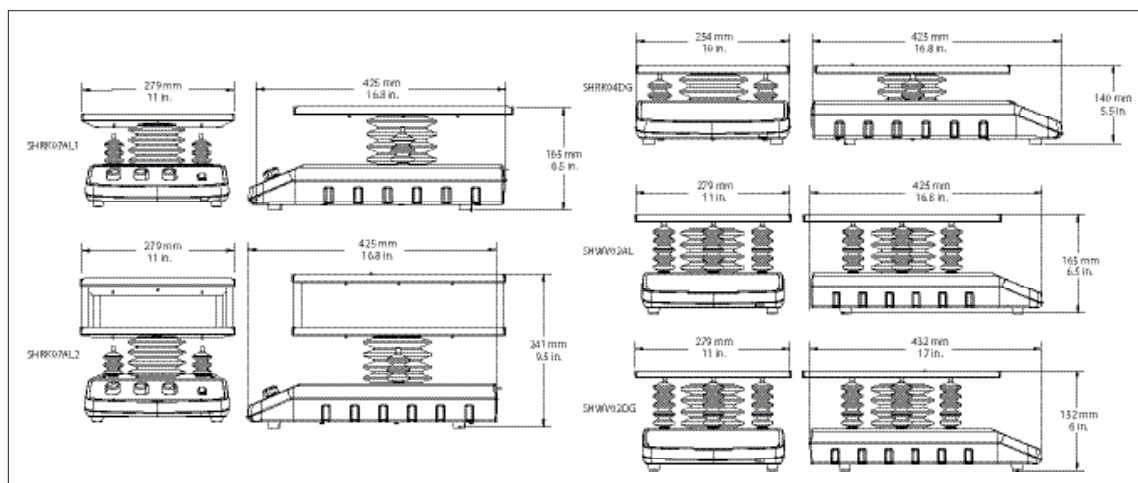
## Applications

Mixing blood samples, DNA extractions, blotting techniques, staining and destaining gels, hybridizations

## Accessories

Rocking and Waving Shaker Accessories						
Item No.	Description	SHRK07AL1	SHRK07AL2	SHRK04DG	SHWV02AL	SHWV02DG
30400137	Double Tier Platform Kit Rocker SHRK04DG			•		
30400138	Double Tier Platform Kit Waver SHWV02DG					•
30400139	Double Tier Platform Kit Rocker SHRK07AL	•				
30400140	Dimpled Mat For Rocker SHRK04DG			•		
30400142	Dimpled Mat For Waver SHWV02DG					•
30400144	Dimpled Mat For Rocker SHRK07AL	•	•		•	

## Dimensions



## OHAUS CORPORATION

7 Campus Drive  
Suite 310  
Parsippany, NJ 07054 USA

Tel: 800.672.7722  
973.377.9000  
Fax: 973.944.7177

[www.ohaus.com](http://www.ohaus.com)

The management system governing the manufacture of this product is ISO 9001:2015 certified.

