

SELECT UNIT CALIBRATION

Scale is pre-calibrated at factory, do not calibrate unless scale is not accurate

1. Press and hold **UNITS** key first and then press **ON/OFF** key.
2. Release both keys
3. Display will show "**C=xx**"
4. Note: **xx** is the calibration weight.
Press **UNITS** key to select calibration weight value for unit kg (10kg) or lb (10lb / 20lb / 30 lb are selectable).
5. Press **ZERO/TARE** key
6. Display will show **CAL** and then a 5 digit A/D value. A/D value is the internal digital count on the scale. It should be more or less stable within +/- 5 counts. If it keeps going up or down continuously or remains very unstable, the load cell may be bad.
7. Press **UNITS** key. (note this step is to capture the zero point – no weight on the scale platter)
8. Display will show "....." then the calibration weight value.
9. Place weight on scale
10. Press **UNITS** key. Display will show "....." and return to the A/D value.
11. Calibration is complete, remove the weights and turn off the scale

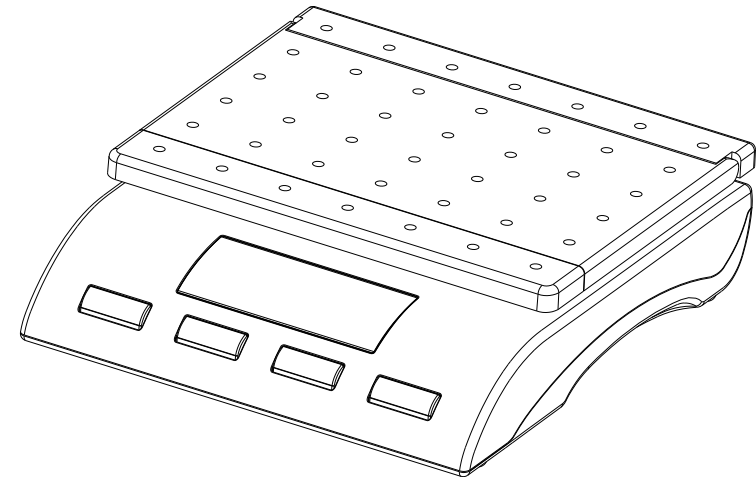
If calibration is repeatedly incorrect then:

- 1) **Replace the batteries**
- 2) **Try a more stable surface or vibration and interference free location**

POSTAL SCALE

Model SC

INSTRUCTION MANUAL



SAFETY PRECAUTIONS

All safety messages are identified by the words "**WARNING**" and "**CAUTION**".

These words mean the following:

▲WARNING	Important information to alert you to a situation that might cause serious injury and damage to your property if instructions are not followed.
▲CAUTION	Important information that tells how to prevent damage to the equipment.

When using the scale, the following safety precautions should always be followed.

▲ WARNING

Use only the correct AC adaptor with the scale. Other adaptors may cause permanent electrical damage.

▲ CAUTION

Avoid placing the scale in direct sunlight, this may cause discoloration or malfunction.

Replace all batteries at the same time – Do not replace only a portion of the batteries as this may cause a malfunction.

If the scale is not to be used for a long period of time, remove all batteries from the battery compartment to avoid leakage, which may cause damage to this scale.

Avoid overloading the scale, as this may cause permanent damage and void your warranty – do not EVER exceed the maximum capacity of the scale. Keep the scale away from water – this scale is not water resistant. Shock, injury and electrical damage can occur if used in a wet location!

SPECIFICATIONS

Model	Capacity	Division
SC-36	36lb/17kg	0.1oz/2g
SC-56	56lb/26kg	0.2oz/5g
SC-76	76lb/36kg	0.2oz/5g
Platter / Tray	200x160mm	
Net/gross weight	840g/1070g	
Package	Standard carton: 220x300x75(mm ³)	
	20 Units in one box: 45x61x40(cm ³)	
Operating Temperature	Optimum: 0-40°C (32-104°F) F	
Power source	3xAAA Size Batteries or AC/DC	
	Adapter 6V/100mA (optional)	

SPECIAL WARNING

Cell-Phones, Cordless-Phones, and any radio-frequency device can cause temporary interference and cause the scale to temporarily not work properly.

Please do not use any electronic device near the SCALE. Just like in an Airplane, do not use your cell-phone near the scale when it is in use. While there is NO risk of permanent damage to the scale, interference can cause an incorrect calibration or incorrect weight readings.

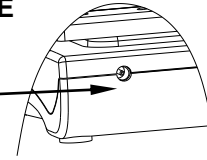
FEATURES

- Auto shut off (selectable)
- Auto calibration – with lb or kg weight unit
- Auto zero tracking
- Auto hold (selectable)
- 21 bit A/D processor
- 2 million internal resolutions
- g , lb, oz, kg , lb/oz conversion
- Large LCD (5 digits 15 mm high)
- Large square weighing tray

PARTS DESCRIPTION

▶ BACK SIDE

AC adaptor
Socket

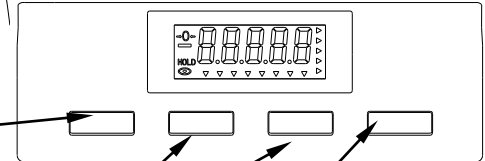


ON/OFF key
Turns the scale power on/off.

UNITS key
Changes weighing units, e.g. g, lb:oz,kg,lb,oz.

ZERO/TARE key
Sets display to zero or
Subtracts weight of a container.

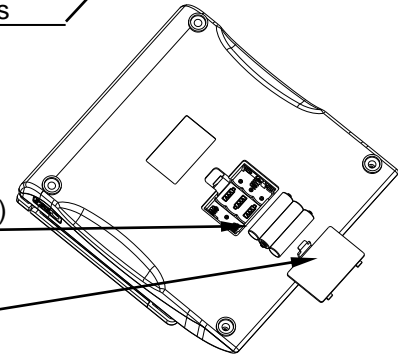
HOLD key
Remain on the display for 120 seconds



▶ BOTTOM

Batteries
Use 3xAAA dry batteries (not included)

Battery compartment cover



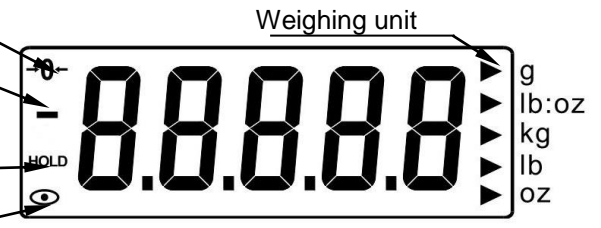
▶ DISPLAY

ZERO indicator

Negative value indicator

Hold indicator

Stable indicator



HOLD FUNCTION

Once the HOLD key is pressed, the weight will remain on the display for 120 seconds after the item has been removed from the scale so the weight can easily be read.

- 1) Place the item on the scale platform.
- 2) Wait for the stable weights to be displayed.
- 3) Press the HOLD key. The "HOLD" hold indication will turn-on.
- 4) Remove the item from the scale platform. The item's weight will remain on the display for 120 seconds. You can now also convert this to other measures (example: lb or kg) by pressing the UNITS key
- 5) To quit HOLD function, press the HOLD key again.

FUNCTION SETTINGS

1. With the scale in **OFF** position, press and hold the **[ZERO/TARE]** key and turn on the scale by pressing **[ON/OFF]** key. The display will show **A_ON** or **A_OFF**.
2. **Auto shut off mode.**
Press the **[ZERO/TARE]** key, the display will show **A_ON** or **A_OFF**. **A_ON** means the auto shut off function active. Press **[ZERO/TARE]** again, the display will show **A_OFF**, this means the auto shut off function inactive.
3. **Auto backlight mode.**
Press **[UNITS]** key, the display will show **L_ON** or **L_OFF**, press **[ZERO/TARE]**, selection display **L_ON**, this means backlight function active, press **[ZERO/TARE]** again, the display will show **L_OFF**, this means backlight function inactive.
3. **Auto HOLD mode.**
Press **[UNITS]** key, the display will show **H_ON** or **H_OFF**, press **[ZERO/TARE]**, selection display **H_ON**, this means **AUTO-HOLD** function active. Press **[ZERO/TARE]** again, the display will show **H_OFF**, this means **AUTO-HOLD** function inactive.
4. **Return to weighing mode.**
Press **[ON/OFF]** to turn the power off, press **[ON/OFF]** again to turn on the power and the scale will return to weighing mode.

WEIGHING

Whenever possible, please allow the scale to warm up for several seconds after first turning the power on so that the scale will function properly and accurately.

Error messages

Err-O: Overload

Lob: Low battery

Weighing Procedures

1. Press **[ON/OFF]** to turn on the scale. The display will count down from "99999" to "11111" for a few seconds and "0" will appear on the display.
2. Select the weighing unit by pressing **[UNITS]** key.
3. The selected unit will be display on the cursor next to the weight value.
4. Start weighing. Make sure the display is "0", if not press the **[ZERO/TARE]** key to zero the scale.
5. If you are using a container or tray, place the empty container on the scale, wait for the stability indicator to be displayed, press **[ZERO/TARE]**, and the display will read "0" with the tray or container on top.
6. Place your objects to be weighed on the container. The weight will be displayed once the scale is stable.