



More information on the website
radwag.com/en/info,w1,NYV

MWLH 25 Electromagnetic Compensation Weighing Module



Datasheet

Metrological parameters	
Maximum capacity [Max]	25 kg
Minimum load	5 g
Preload range	2,5 kg
Readability [d]	0,1 g
Tare range	-25 kg
Repeatability	0,1 g
Linearity	±0,1 g
Stabilization time	2 s
Adjustment	external
Protection class	IP 65
Electrical parameters	
Power supply	100 ÷ 240 V AC 50/60 Hz
Environmental conditions	
Operating temperature	+10 ÷ +40 °C

Environmental conditions

Relative humidity 15% ÷ 80%

Physical parameters

Weighing pan dimensions 212×174 mm

Device dimensions 341×236×164 mm

Packaging dimensions 580×413×360 mm



Accessories

RS 232 cables (scale - Ethernet)
Power Adapters
RS 232, RS 485 cables

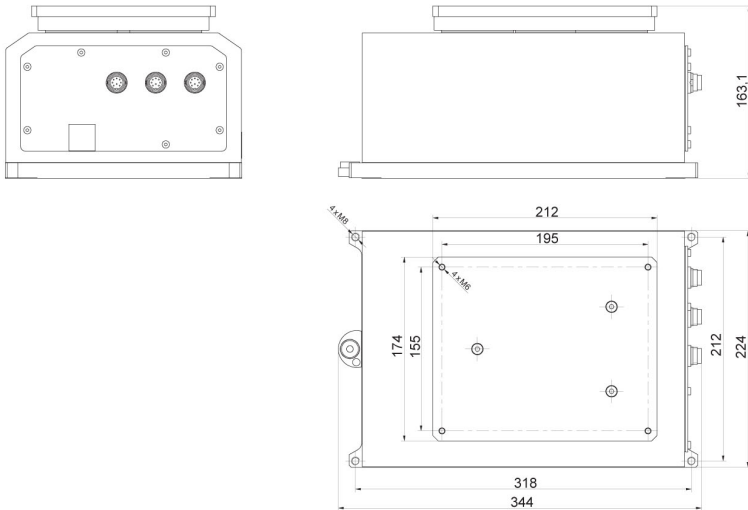
RS 232 – USB Converter
IN/OUT Cables

Software

MWMH Manager
LabVIEW Driver
R-LAB

RAD-KEY
RADWAG Connect
RADWAG Development Studio

Device dimensions



[MWLH](#)