



More information on the website  
[radwag.com/en/info,w1,253](http://radwag.com/en/info,w1,253)

# MWLH 10 Electromagnetic Compensation Weighing Module



## Datasheet

Metrological parameters	
Maximum capacity [Max]	10 kg
Minimum load	0,5 g
Preload range	1 kg
Readability [d]	0,01 g
Tare range	-10 kg
Repeatability	0,01 g
Linearity	±0,02 g
Stabilization time	3 s
Adjustment	external
Protection class	IP 65
Electrical parameters	
Power supply	100 ÷ 240 V AC 50/60 Hz
Environmental conditions	
Operating temperature	+10 ÷ +40 °C

## Environmental conditions

Relative humidity 15% ÷ 80%

## Physical parameters

Weighing pan dimensions 212×174 mm

Device dimensions 341×236×164 mm

Packaging dimensions 580×413×360 mm



## Accessories

RS 232 cables (scale - Ethernet)  
Power Adapters  
RS 232, RS 485 cables

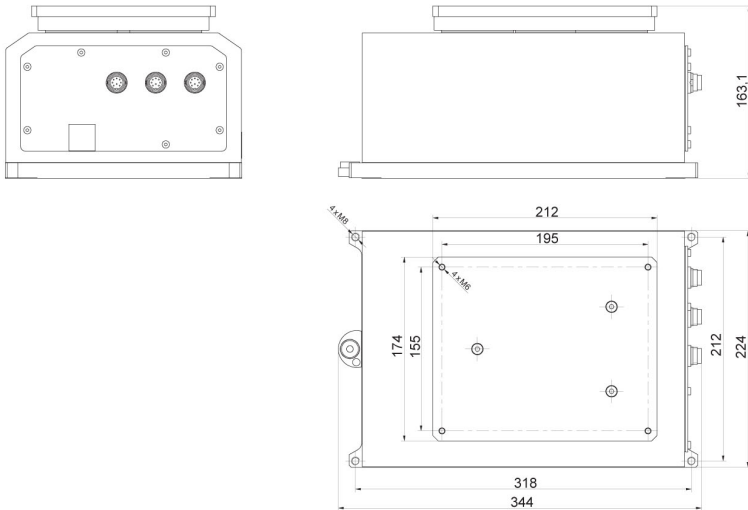
RS 232 – USB Converter  
IN/OUT Cables

## Software

MWMH Manager  
LabVIEW Driver  
R-LAB

RAD-KEY  
RADWAG Connect  
RADWAG Development Studio

## Device dimensions



[MWLH](#)