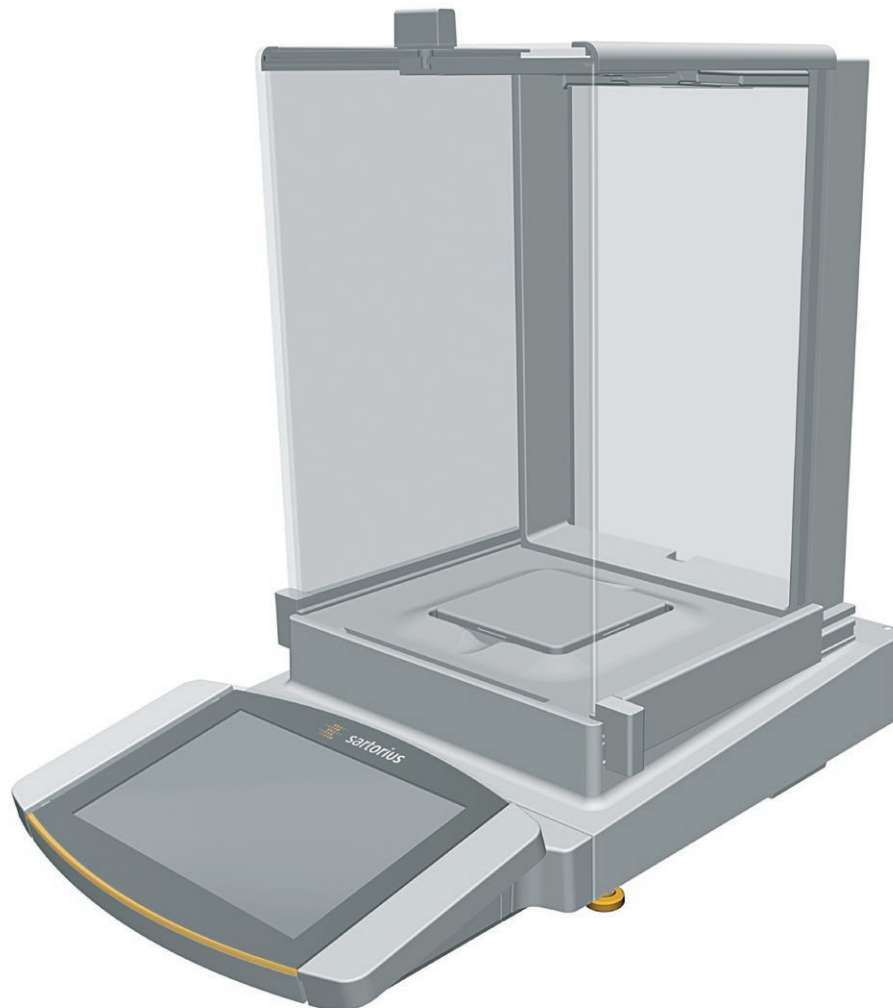


**Operating Instructions**  
Original Operating Instructions

# Cubis®

MCA Models  
Semimicro, Analytical and Precision Balances





# Contents

<b>1 About these Instructions</b> .....	6	4.9 Buttons in the Operating Display .....	25
1.1 Scope .....	6	4.9.1 Buttons for Navigation or Organization	
1.2 Symbols Used.....	6	in Displays.....	25
1.2.1 Warnings in Operating Instructions.....	6	4.9.2 Buttons for Editing or Managing Entries ..	26
1.2.2 Other Symbols .....	7	4.9.3 Weighing and Print Function Buttons.....	27
1.3 Target Groups.....	7	4.10 Displays in the Operating Display .....	28
<b>2 Safety Instructions</b> .....	8	4.11 User Management.....	30
2.1 Intended Use .....	8	4.11.1 User Profiles .....	30
2.1.1 Modifications to the Device .....	8	4.11.2 User Login.....	30
2.1.2 Repairs to the Device.....	8	4.12 Weighing and Print Profiles.....	30
2.2 Personnel Qualification.....	8	4.13 Tasks and Applications .....	30
2.3 Significance of these Instructions.....	9	4.14 Menu Structure .....	31
2.4 Functionality of the Device .....	9	4.14.1 Main Menu.....	31
2.5 Safety Information on the Device.....	9	4.14.2 "Settings" Menu.....	31
2.6 Electrical Equipment.....	9	4.15 Navigating the Menus.....	36
2.6.1 Damage to the Device's Electrical		<b>5 Installation</b> .....	38
Equipment.....	9	5.1 Scope of Delivery.....	38
2.6.2 Working on the Device's Electrical		5.2 Selecting an Installation Site.....	38
Equipment.....	9	5.3 Unpacking the Device.....	39
2.6.3 Power Supply Unit and Power Supply		5.4 Removing the Display and Control Unit.....	39
Cable .....	9	5.4.1 Positioning the Display and Control Unit ..	39
2.7 Conduct in an Emergency.....	10	5.5 Connecting the Ethernet Cable .....	40
2.8 Accessories, Consumables, and Spare Parts .....	10	5.6 Preparing Below-balance Weighing .....	40
2.9 Glass Breakage.....	10	5.7 Installing a Device with an Analytical Draft Shield	
<b>3 Device Description</b> .....	11	or Flat Glass Draft Shield .....	42
3.1 Device Overview .....	11	5.7.1 Positioning the Weighing Pan and	
3.2 Draft Shield .....	12	Associated Components .....	42
3.3 Weighing Pan and Associated Components.....	13	5.7.2 Installing the Analytical Draft Shield.....	43
3.4 Connections and Components on the		5.7.3 Installing the Flat Glass Draft Shield.....	43
Weighing Module .....	14	5.8 Installing a Device with a Frame Draft Shield .....	44
3.4.1 Analytical Balance and Precision Balance..	14	5.8.1 Positioning the Weighing Pan and	
3.4.2 Semi-microbalance with Electronics		Associated Components .....	44
Module .....	14	5.9 Connecting the Electronics Module	
3.5 Connections and Components on the		(Only for Semi-microbalance) .....	45
Electronics Module .....	15	5.10 Installing Palm-operable Keys (Only for Devices	
3.6 Connections on the Display and Control Unit .....	15	with Motorized Draft Shield).....	45
3.7 Safety Equipment .....	16	5.11 Setting Up the Cable Entry (Only for Devices	
3.7.1 Protective Caps on the Analytical Balance		with a Manual Analytical Draft Shield).....	45
and Precision Balance .....	16	5.12 Acclimatization .....	46
3.7.2 Protective Caps on the Electronics		<b>6 Getting Started</b> .....	47
Module .....	16	6.1 Installing the AC Adapter.....	47
3.8 Conformity-assessed Devices.....	17	6.2 Connecting the Power Supply.....	47
3.9 Symbols on the Device .....	17	6.3 Attaching the Protective Caps.....	48
<b>4 Operating Concept</b> .....	18	<b>7 System Settings</b> .....	49
4.1 Operating Elements in the Main Menu.....	18	7.1 Performing System Settings.....	49
4.2 Operating Elements in Task Management .....	19	7.2 Switching Off the isoCAL Function.....	49
4.3 Operating Elements in the Weighing Display.....	20	7.3 Assigning a Password .....	49
4.4 Advanced Operator Guidance .....	21		
4.5 Messages.....	22		
4.6 Status Center.....	23		
4.7 Keypad .....	24		
4.8 Status Display of the Buttons .....	24		

7.4	Setting Up Device for Network Printer . . . . .	50	7.5.23	Parameters in the "Device Settings/ Display Properties" Menu . . . . .	64
7.4.1	Selecting Configuration for Network Printing . . . . .	50	7.5.24	Parameters in the "Device Settings/ Sound (Loudspeaker)" Menu . . . . .	65
7.4.2	Setting Up Device for Network Printer via Independent Wi-Fi Network . . . . .	50	7.5.25	Parameters in the "Device Maintenance" Menu . . . . .	65
7.4.3	Setting Up Device for Network Printer via Company Network . . . . .	51	<b>8</b>	<b>Operation</b> . . . . .	66
7.4.4	Configure Print Profile . . . . .	51	8.1	Switching the Device On and Off . . . . .	66
7.5	Parameter List . . . . .	52	8.2	Logging Users In and Out . . . . .	66
7.5.1	Parameters in the "User Management" Menu . . . . .	52	8.3	Leveling the Device . . . . .	67
7.5.2	Parameters in the "Access Management" Menu . . . . .	52	8.3.1	Level Device with Motorized Leveling Feet . . . . .	67
7.5.3	Parameters in the "Timer-Controlled Actions" Menu . . . . .	53	8.4	Opening and Closing the Motorized Draft Shield (Only for Devices with a Motorized Draft Shield) . .	67
7.5.4	Parameters in the "Weighing and Print Profile/Weighing" Menu . . . . .	54	8.4.1	Opening Draft Shield by Pressing the Palm-operated Key . . . . .	67
7.5.5	Parameters in the "Weighing and Print Profiles/YDP30, PDF, CSV, PC Direct, or SBI Direct" menu . . . . .	56	8.4.2	Defining the Opening Width . . . . .	67
7.5.6	Parameters in the "Connections/ Connectors" Menu . . . . .	58	8.5	Activating Applications and Adding a Task . . . . .	68
7.5.7	Parameters in the "Connections/ Network" Menu . . . . .	58	8.5.1	Activating Applications . . . . .	68
7.5.8	Parameters in the "Connections/ Website/Web Services" Menu . . . . .	59	8.5.2	Adding an Application to a Task . . . . .	68
7.5.9	Parameters in the "Connections/ Interfaces/Serial Communication via Network" (Ethernet) Menu . . . . .	59	8.6	Adding Weighing and Print Profiles to a Task . . . . .	69
7.5.10	Parameters in the "Connections/ Interfaces/COM-RS232 Interface" Menu . .	59	8.7	Preparing Weighings . . . . .	69
7.5.11	Parameters in the "Connections/ Interfaces/USB-B Interface" Menu . . . . .	60	8.8	Weighing . . . . .	69
7.5.12	Parameters in the "Connections/ SBI Protocol" Menu . . . . .	61	8.9	Overview of Calibration, Adjustment, and Linearization . . . . .	70
7.5.13	Parameters in the "Connections/ Climate Module" Menu . . . . .	61	8.10	Adjusting with the isoCAL Function . . . . .	70
7.5.14	Parameters in the "Connections/ Connected Devices/Motion Sensor" Menu (Only for Connected Motion Sensors) . . . . .	61	8.11	Internally Calibrating and Adjusting the Device . . .	71
7.5.15	Parameters in the "Device Settings/ Date and Time" Menu . . . . .	62	8.12	Weighing and Printing with ID Marking . . . . .	71
7.5.16	Parameters in the "Device Settings/ Safe Weighing" Menu . . . . .	62	8.12.1	Saving Values for Printouts . . . . .	71
7.5.17	Parameters in the "Device Settings/ minUSP" Menu . . . . .	62	8.12.2	Marking Saved Values as Invalid . . . . .	72
7.5.18	Parameters in the "Device Settings/ Device ID" Menu . . . . .	63	8.12.3	Marking Saved Values as Valid . . . . .	72
7.5.19	Parameters in the "Device Settings/ Draft Shield" Menu (Only for Devices with a Motorized Draft Shield) . . . . .	63	8.12.4	Printing Saved Values . . . . .	72
7.5.20	Parameters in the "Device Settings/Ionizer" Menu (Only for Devices with an Ionizer) . . .	63	8.12.5	Exiting the Task . . . . .	73
7.5.21	Parameters in the "Device Settings/ Electronic Signature" Menu . . . . .	64	8.13	Viewing the Data Storage Device . . . . .	73
7.5.22	Parameters in the "Device Settings/ Start-up Behavior" Menu . . . . .	64	8.14	Turning the Ionizer On/Off (Only for Devices with an Ionizer) . . . . .	73
			8.14.1	Setting the Ionizer . . . . .	73
			8.14.2	Starting the Ionization Process . . . . .	74
			8.14.3	Switching Off the Ionizer . . . . .	74
			8.15	Running Applications (Examples) . . . . .	74
			8.15.1	Executing the "Unit Change" Function . . . . .	74
			8.15.2	Running the "Statistics" Application . . . . .	75
			<b>9</b>	<b>Cleaning and Maintenance</b> . . . . .	76
			9.1	Preparing a Device with an Analytical Draft Shield or Flat Glass Draft Shield . . . . .	76
			9.2	Preparing a Device with a Frame Draft Shield . . . . .	77
			9.3	Cleaning the Device . . . . .	77
			9.4	Assembling and Connecting the Device . . . . .	78
			9.5	Maintenance Schedule . . . . .	78
			9.6	Performing a Software Update . . . . .	78
			9.7	Performing a QAPP Center Update . . . . .	79
			<b>10</b>	<b>Malfunctions</b> . . . . .	80
			10.1	Warning Messages . . . . .	80
			10.2	Troubleshooting . . . . .	80

<b>11 Decommissioning</b> .....	81	15.8 Recommended Calibration Weight .....	94
11.1 Decommissioning the Device .....	81	15.9 isoCAL Function .....	94
<b>12 Transport</b> .....	81	15.9.1 Models MCA225S   MCA225P	
12.1 Transporting the Device .....	81	MCA125S   MCA125P   MCA324S	
<b>13 Storage and Shipping</b> .....	82	MCA324P   MCA224S   MCA124S	
13.1 Storage .....	82	MCA2203S   MCA2203P   MCA1203S.....	94
13.2 Returning Device and Parts .....	82	15.9.2 Models MCA524S   MCA524P	
<b>14 Disposal</b> .....	83	MCA5203S   MCA5203P   MCA3203S.....	95
14.1 Information on Decontamination .....	83	15.9.3 Models MCA623S   MCA623P	
14.2 Disposing of Device and Parts .....	83	MCA323S   MCA5202S .....	95
14.2.1 Information on Disposal .....	83	15.10 Data Storage Device .....	95
14.2.2 Disposal .....	83	15.11 Interfaces .....	96
<b>15 Technical Data</b> .....	84	15.11.1 Specifications for the COM-RS232	
15.1 Dimensions and Weight .....	84	Interface .....	96
15.1.1 Semi-microbalance .....	84	15.11.2 Specifications for the USB-A Interface....	96
15.1.2 Analytical Balance .....	84	15.11.3 Specifications for the USB-B Interface....	96
15.1.3 Precision Balance .....	84	<b>16 Accessories</b> .....	97
15.2 Ambient Conditions .....	85	16.1 Accessories .....	97
15.2.1 Installation Site .....	85	16.1.1 Printers and Communication .....	97
15.2.2 Ambient Temperature for the isoCAL		16.1.2 Displays and Input/Output Elements .....	97
Function .....	85	16.1.3 Hardware for Pipette Calibration.....	98
15.2.3 Protection Class .....	86	16.1.4 Filter Balance and Antistatic Accessories ..	98
15.3 Power Supply .....	87	16.1.5 Special Applications.....	98
15.3.1 Device .....	87	16.1.6 Weighing Tables.....	98
15.3.2 AC Adapter .....	87	16.1.7 Weighing Accessories .....	99
15.3.3 Safety of Electrical Equipment.....	88	<b>17 Sartorius Service</b> .....	100
15.3.4 Electromagnetic Compatibility .....	88	<b>18 Conformity Documents</b> .....	100
15.4 Materials .....	88	18.1 EU Declaration of Conformity .....	100
15.5 Integrated Clock .....	88	18.2 Certificate of Compliance .....	102
15.6 Backup Battery .....	88	18.3 FCC Supplier's Declaration of Conformity .....	104
15.7 Metrological Data .....	89		
15.7.1 Models MCA225S   MCA225P			
MCA125S   MCA125P .....	89		
15.7.2 Models MCA524S   MCA524P			
MCA324S   MCA324P .....	90		
15.7.3 Models MCA224S   MCA124S			
MCA5203S   MCA5203P .....	91		
15.7.4 Models MCA3203S   MCA2203S			
MCA2203P   MCA1203S .....	92		
15.7.5 Models MCA623S   MCA623P			
MCA323S   MCA5202S .....	93		

# 1 About these Instructions

## 1.1 Scope

These instructions are part of the device. These instructions apply to the device in the following versions:

Device	Model
Cubis® semi-microbalance, with manual or motorized draft shield, with or without ionizer	MCA125P-...   MCA125S-...   MCA225P-...   MCA225S-...
Cubis® analytical balance, with manual or motorized draft shield, with or without ionizer	MCA124S-...   MCA224S-...   MCA324P-...   MCA324S-...   MCA524P-...   MCA524S-...
Cubis® precision balance, with frame draft shield, flat glass draft shield, manual or motorized draft shield, with or without ionizer	MCA1203S-...   MCA2203P-...   MCA2203S-...   MCA3203S-...   MCA323S-...   MCA5202S-...   MCA5203P-...   MCA5203S-...   MCA623P-...   MCA623S-...
Software Version	Version, at least
Package release	09-03-02.02.14
QAPP-Center Version	09-06-04.00.06

## 1.2 Symbols Used

### 1.2.1 Warnings in Operating Instructions

#### **WARNING**

Denotes a danger with the risk that death or severe injury may result if it is **not** avoided.

#### **CAUTION**

Denotes a hazard that may result in moderate or minor injury if it is **not** avoided.

#### **NOTICE**

Denotes a danger with the risk that property damage may result if it is **not** avoided.

### 1.2.2 Other Symbols

- ▶ Required action: Describes actions which must be carried out.
- ▷ Result: Describes the result of the actions carried out.
- [ ] Text inside brackets refers to control and display items.
- [ ] Text inside brackets indicates status, warning, and error messages.
- M** Indicates information for legal metrology for conformity-assessed (verified) devices. Conformity-assessed devices are also referred to as "verified" in these instructions.

### Figures on the Operating Display

The figures on the operating display of the device may deviate from those in these instructions.

## 1.3 Target Groups

These instructions are addressed to the following target groups. The target groups must possess the specified knowledge.

### Target group Knowledge and responsibilities

User	The user is familiar with the operation of the device and the associated work processes. They understand the hazards which may arise when working with the device and know how to prevent them. They have been trained in the operation of the device. The training is carried out by the operating engineer/laboratory manager or the operator of the device.
Operator	The operator of the device is responsible for compliance with safety requirements and workplace safety regulations. The operator must ensure that all persons who work with the device have access to the relevant information and are trained in working with the device.

## 2 Safety Instructions

### 2.1 Intended Use

The device is a high-resolution balance, which can be used in laboratories. The device was developed to accurately determine the mass of materials in liquid, paste, powder, or solid form.

Appropriate containers must be used for loading each type of material. The device can be used in stand-alone operation or can be operated on a PC.

The device is exclusively designed for use in accordance with these instructions. Any further use beyond this is considered **improper**.

If the device is **not** used properly: The protective systems of the device may be impaired. This can lead to unforeseeable personal injury or property damage.

#### Operating Conditions for the Device

Do **not** use the device in potentially explosive environments. Only use the device indoors.

The device may only be used with the equipment and under the operating conditions described in the Technical Data section of these instructions.

#### 2.1.1 Modifications to the Device

If the device is modified, for example by attaching extra components: Device safety may be affected, or the device may cease to be compliant.

If you have any queries regarding modifications to the device, contact Sartorius.

#### 2.1.2 Repairs to the Device

Device repairs may only be carried out by persons with appropriate specialized knowledge of the device. If the device is **not** repaired by a specialist: The safety of the device may be impaired or the quality marks may lose their validity.

We recommend that any repair work, even that not covered by the warranty, is carried out by Sartorius Service or after consulting with Sartorius Service.

### 2.2 Personnel Qualification

If people who do **not** have sufficient knowledge on the safe handling of the device carry out work on the device: Those people may injure themselves or other people nearby.

- ▶ Ensure that all individuals working on the device possess the necessary knowledge and qualifications (see Chapter "1.3 Target Groups", page 7.)
- ▶ If a particular qualification is required for the actions described: Have these activities carried out by the required target group.
- ▶ If **no** qualification is required for the actions described: Have these activities carried out by the "user" target group.



## 2.3 Significance of these Instructions

Failure to follow the instructions in this manual may have serious consequences, e.g. danger to individuals.

- ▶ Read the instructions carefully and in full.
- ▶ Ensure that the information contained in these instructions is available to all individuals working on the device.
- ▶ Retain the instructions.
- ▶ If these instructions are lost, request a replacement or download the latest version from the Sartorius website ([www.sartorius.com](http://www.sartorius.com)).

## 2.4 Functionality of the Device

A damaged device or worn parts may lead to malfunctions or cause hazards which are difficult to recognize.

- ▶ Only operate the device when it is safe and in perfect working order.
- ▶ Have any damage repaired immediately by Sartorius Service.

## 2.5 Safety Information on the Device

Symbols, e.g. warnings, safety stickers, are safety information for the handling of the device. Missing safety information may lead to serious injuries.

- ▶ Do **not** conceal, remove, or modify the symbols.
- ▶ Replace the symbols if they become illegible.

## 2.6 Electrical Equipment

### 2.6.1 Damage to the Device's Electrical Equipment

Damage to the electrical equipment of the device, e.g. damage to the insulation, can be life-threatening. Contact with parts under voltage represents a direct danger to life.

- ▶ If the device's electrical equipment is defective, disconnect the device from the power supply and contact Sartorius Service.
- ▶ Keep live parts away from moisture. Moisture can cause short-circuits.

### 2.6.2 Working on the Device's Electrical Equipment

Only Sartorius Service personnel may work on or modify the electrical equipment of the device. The device may only be opened by Sartorius Service personnel.

### 2.6.3 Power Supply Unit and Power Supply Cable

Serious injury can result, e.g. from electric shocks, if an unsuitable and inadequately dimensioned power supply cable or unsuitable AC adapter is used.

- ▶ Only use the original power supply cable and AC adapter.
- ▶ If the AC adapter or power supply cable must be replaced: Contact Sartorius Service. Do **not** repair or modify the power supply unit or power supply cables.

## 2.7 Conduct in an Emergency

If there is immediate danger of personal injury or if there is a risk of damage to the device, e.g., due to malfunctions or dangerous situations, the device must be immediately taken out of operation.

- ▶ Disconnect the device from the power supply by disconnecting the power supply cable.
- ▶ Malfunctions should be remedied by Sartorius Service.

## 2.8 Accessories, Consumables, and Spare Parts

Unsuitable accessories, consumables, and spare parts can adversely affect functionality and safety, and have the following consequences:

- Risk of injury to persons
  - Damage to the device
  - Device malfunctions
  - Device failure
- ▶ Only use approved accessories and spare parts supplied by Sartorius.
  - ▶ Only use accessories, consumables, and spare parts that are in proper working order.

## 2.9 Glass Breakage

Glass components can break if they fall or are handled incorrectly. Glass fragments can cause cuts.

- ▶ Only lift the device by its base, **not** by the draft shield.
- ▶ When lifting and transporting, ensure that **no** personnel or objects are in the way.
- ▶ Only operate the operating display with your fingers. Do **not** use pointed or sharp objects.

## 3 Device Description

### 3.1 Device Overview

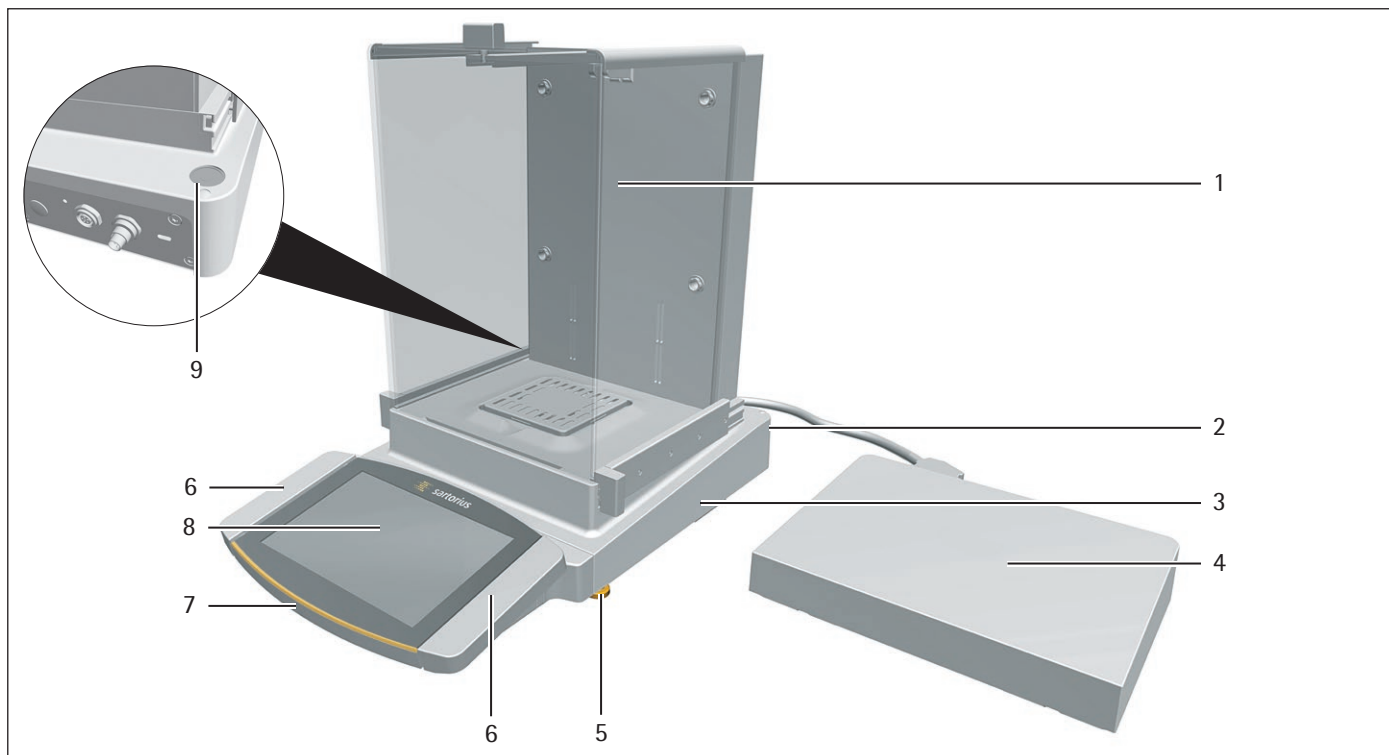


Fig. 1: Semi-microbalance with motorized draft shield with ionizer and electronics module (example)

Pos.	Name	Description
1	Weighing chamber	
2	Manufacturer's ID label	<b>Not depicted</b>
3	Weighing module	
4	Electronics module	Only for semi-microbalances with electronics module
5	Leveling foot	Motorically adjustable
6	Palm-operated key	Opens and closes the side and upper panel of the draft shield
7	Display and control unit	
8	Operating display	Touchscreen
9	Level	

### 3.2 Draft Shield

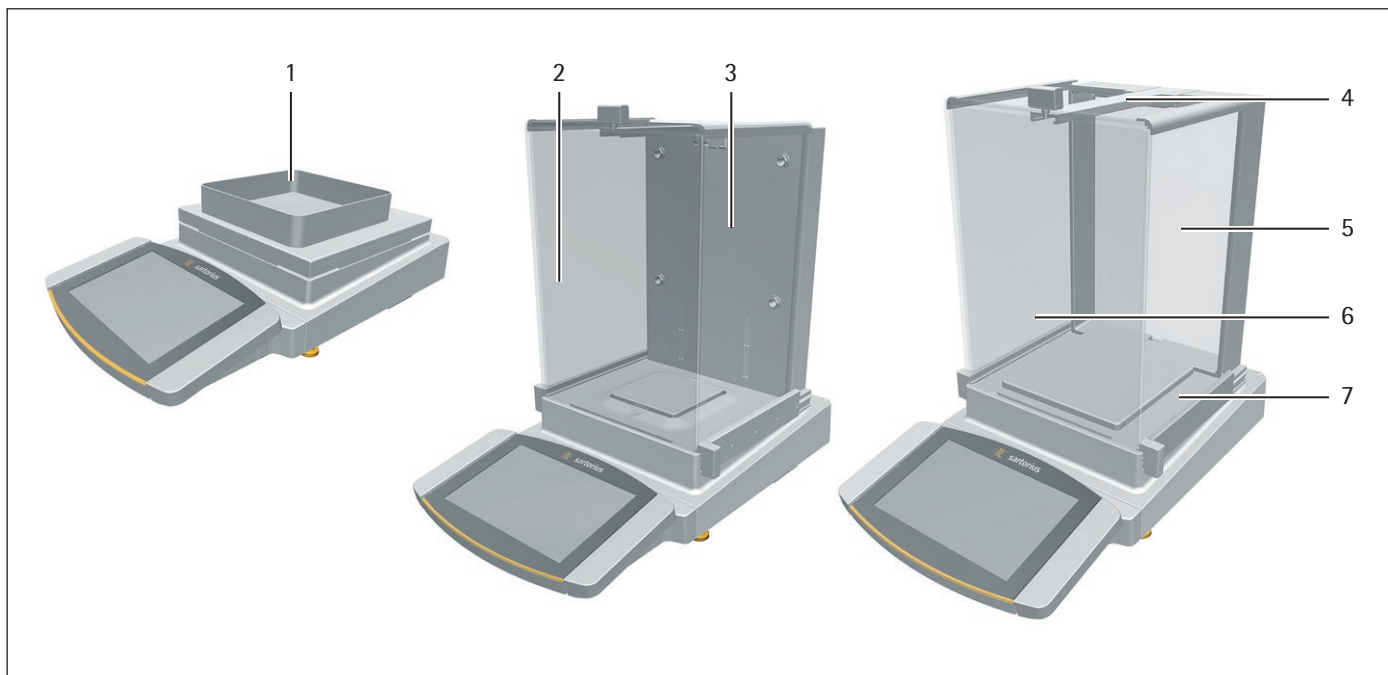


Fig. 2: Precision balance with frame draft shield, analytical balance with motorized analytical draft shield, and precision balance with manual analytical draft shield (example)

Pos.	Name	Description
1	Frame draft shield	Is placed on the shield plate.
2	Analytical draft shield	Can be opened at the door handle of the upper panel or at the door handles of the side panels. Is motorized in some models.
3	Housing back plate	Manufactured from metal and plastic parts
4	Upper draft shield panel	Used to open the upper panel. Can be opened manually and is motorized in some models.
5	Rear panel	Glass
6	Front panel	Glass
7	Side panel	Can be opened manually and is motorized in some models.

### 3.3 Weighing Pan and Associated Components

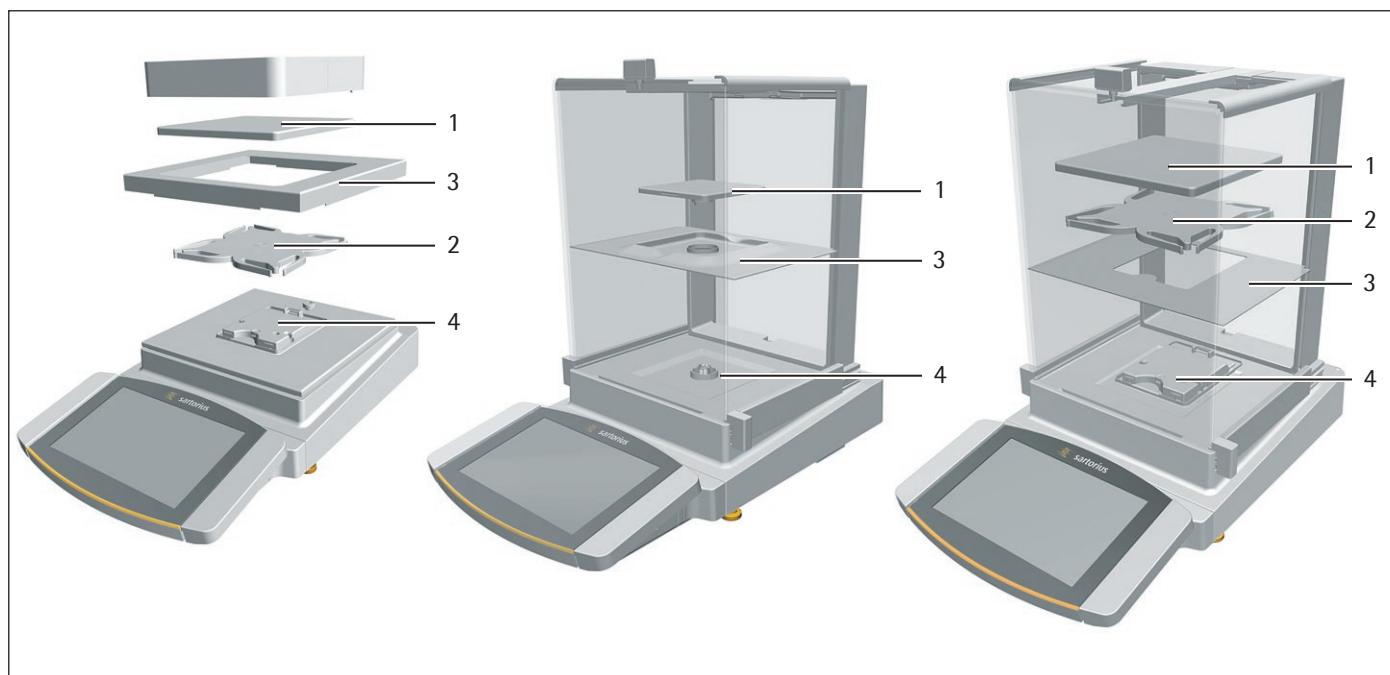


Fig. 3: Precision balance with frame draft shield, analytical balance with manual analytical draft shield, and precision balance with manual analytical draft shield (example)

Pos.	Name	Description
1	Weighing pan	
2	Pan support	Only for models with pan support
3	Shield plate	
4	Pan retainer	

### 3.4 Connections and Components on the Weighing Module

#### 3.4.1 Analytical Balance and Precision Balance

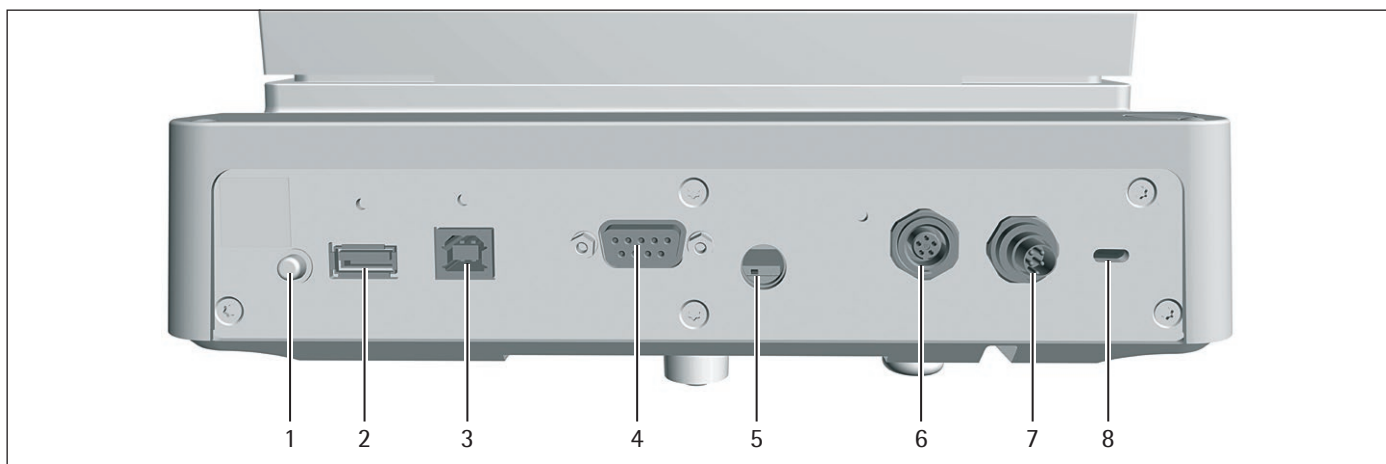


Fig. 4: Connections on the weighing module of the analytical balance and precision balance (example)

Pos.	Name	Description
1	On key	Switches the device on from standby mode.
2	USB-A connection	For USB accessories, e.g. printers, USB mass storage devices, barcode scanners
3	USB-B connection	For connection to a PC
4	COM-RS232 connection	9-pin, for connection to a PC or PLC
5	Access switch	Protects the device from changes to the device settings. Is sealed for conformity-assessed devices.
6	Peripheral connection	For connecting Sartorius accessories
7	Power supply	For connection to the power supply
8	Slot	For attaching a "Kensington" anti-theft device

#### 3.4.2 Semi-microbalance with Electronics Module

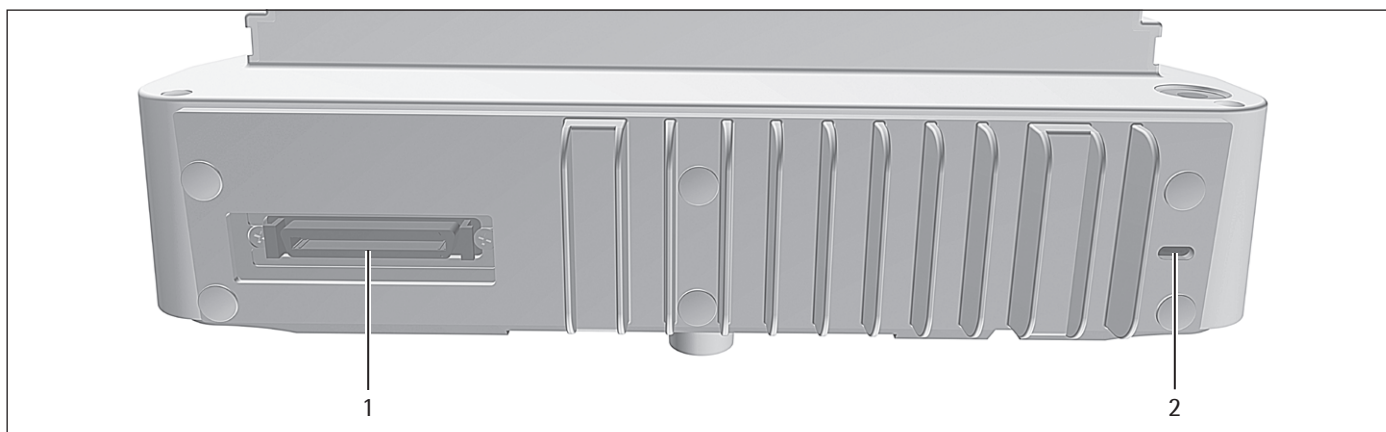


Fig. 5: Connections on the weighing module of the semi-microbalance with electronics module (example)

Pos.	Name	Description
1	Electronics module connection	For connecting the electronics module to the weighing module
2	Slot	For attaching a "Kensington" anti-theft device

### 3.5 Connections and Components on the Electronics Module

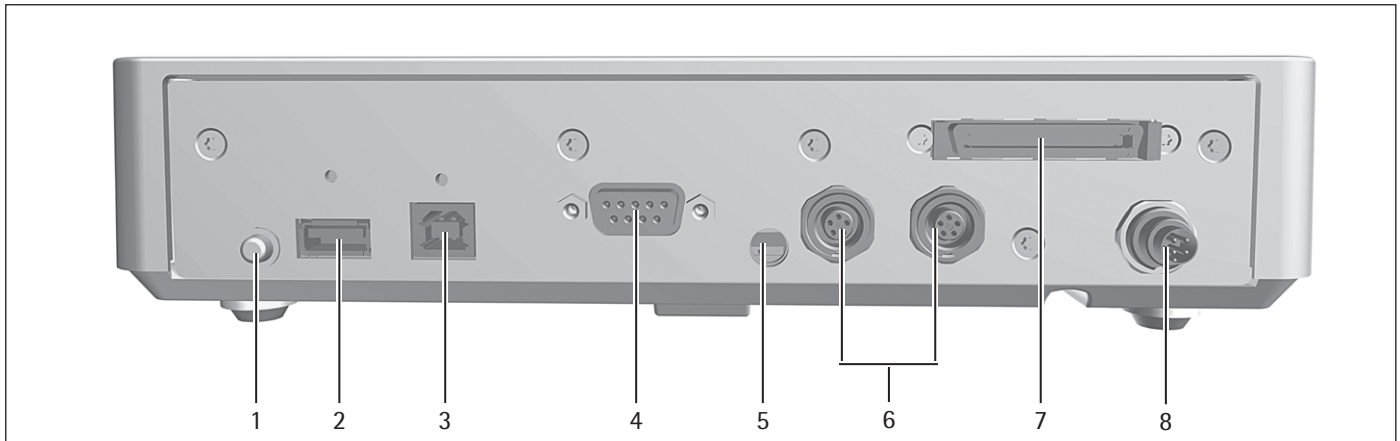


Fig. 6: Connections on the electronics module (example)

Pos.	Name	Description
1	On key	Switches the device on from standby mode.
2	USB-A connection	For USB accessories, e.g. printers, USB mass storage devices, barcode scanners
3	USB-B connection	For connection to a PC
4	COM-RS232 connection	9-pin, for connection to a PC or PLC
5	Access switch	Protects the device from changes to the device settings. Is sealed for conformity-assessed devices.
6	Peripheral connection	For connecting Sartorius accessories
7	Weighing module connection	For connecting the electronics module to the weighing module
8	Power supply	For connection to the power supply

### 3.6 Connections on the Display and Control Unit

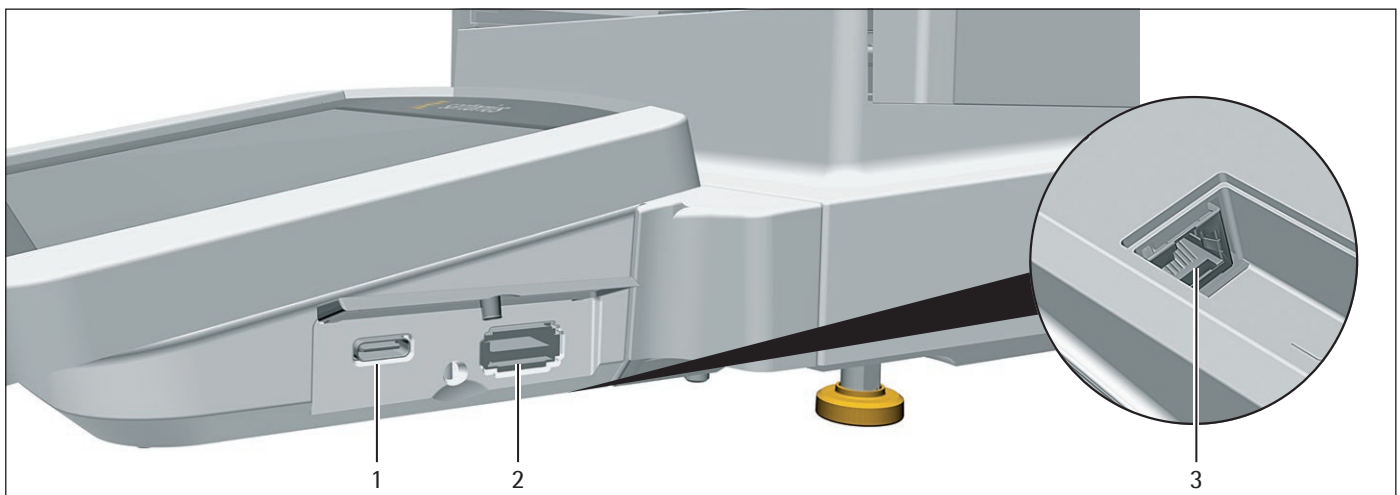


Fig. 7: Connections on the display and control unit (example)

Pos.	Name	Description
1	USB-C connection	For USB mass storage devices
2	USB-A connection	For USB accessories, e.g. printers, USB mass storage devices, barcode scanners
3	Ethernet connection	For connecting an Ethernet cable

### 3.7 Safety Equipment

#### 3.7.1 Protective Caps on the Analytical Balance and Precision Balance

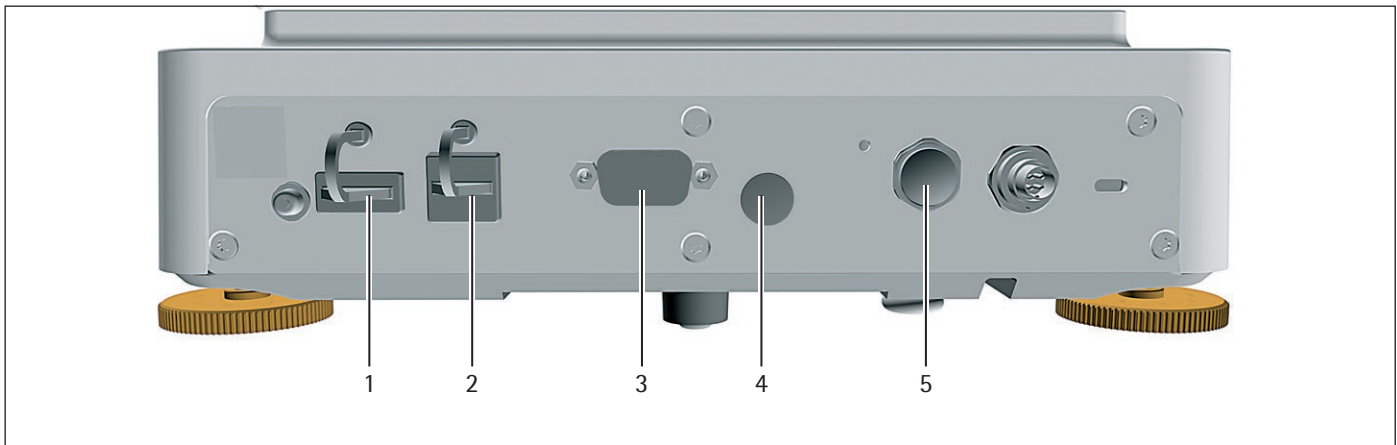


Fig.8: Protective caps on the weighing module of the analytical balance and precision balance

Pos.	Name	Description
1	Protective cap for USB-A connection	Plastic attachment hood, fastened to the device.
2	Protective cap for USB-B connection	Plastic attachment hood, fastened to the device.
3	Protective cap for COM-RS232 connection	Removable plastic sealing cap.
4	Protective cap for access switch	Removable plastic sealing cap.
5	Protective cap for peripheral connection	Removable plastic sealing cap.

#### 3.7.2 Protective Caps on the Electronics Module

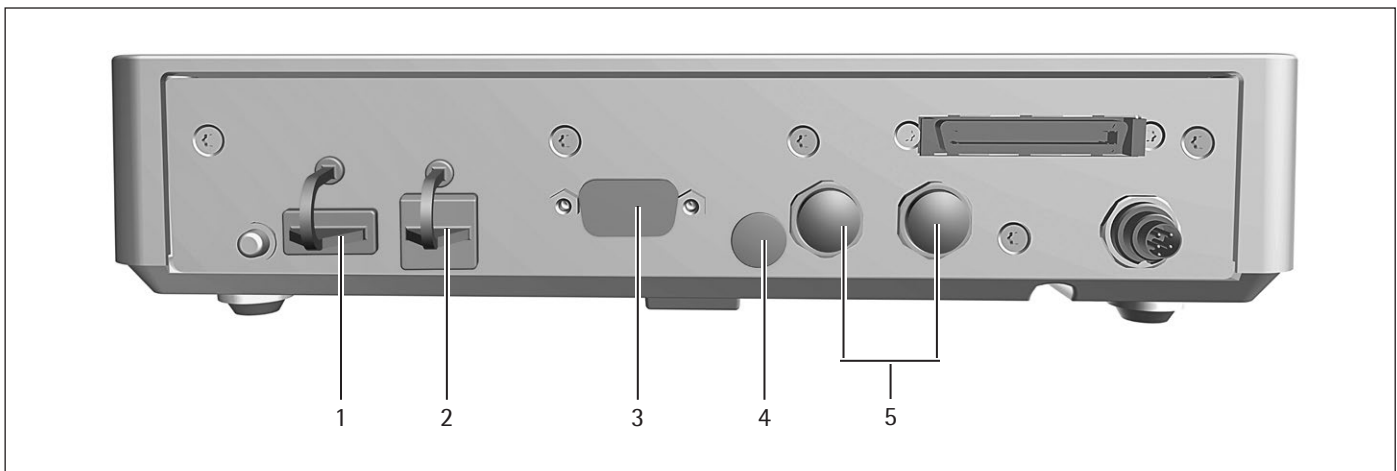


Fig.9: Protective caps on the electronics module

Pos.	Name	Description
1	Protective cap for USB-A connection	Plastic attachment hood, fastened to the device.
2	Protective cap for USB-B connection	Plastic attachment hood, fastened to the device.
3	Protective cap for COM-RS232 connection	Removable plastic sealing cap.
4	Protective cap for access switch	Removable plastic sealing cap.
5	Protective caps for peripheral connections	Removable plastic sealing caps.



### 3.8 Conformity-assessed Devices

Some settings of conformity-assessed models are protected against user changes, e.g. "external calibration" for devices in accuracy class II. This measure is intended to ensure the suitability of the devices for use in legal metrology.

### 3.9 Symbols on the Device

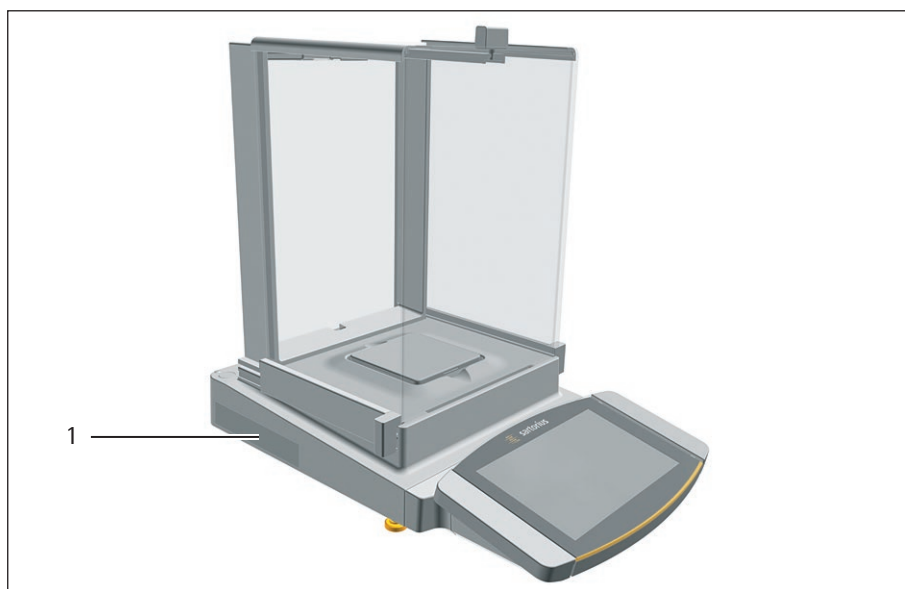



Fig. 10: ID label on the device (example)

Pos.	Name	Description
1	Manufacturer's ID label	Displays the metrological data of the device. Conformity-assessed models only

Symbol	Meaning
	During operation, parts in the device may be live. Only electricians may have access to and work on these parts, such as for maintenance and repairs.

# 4 Operating Concept

## 4.1 Operating Elements in the Main Menu

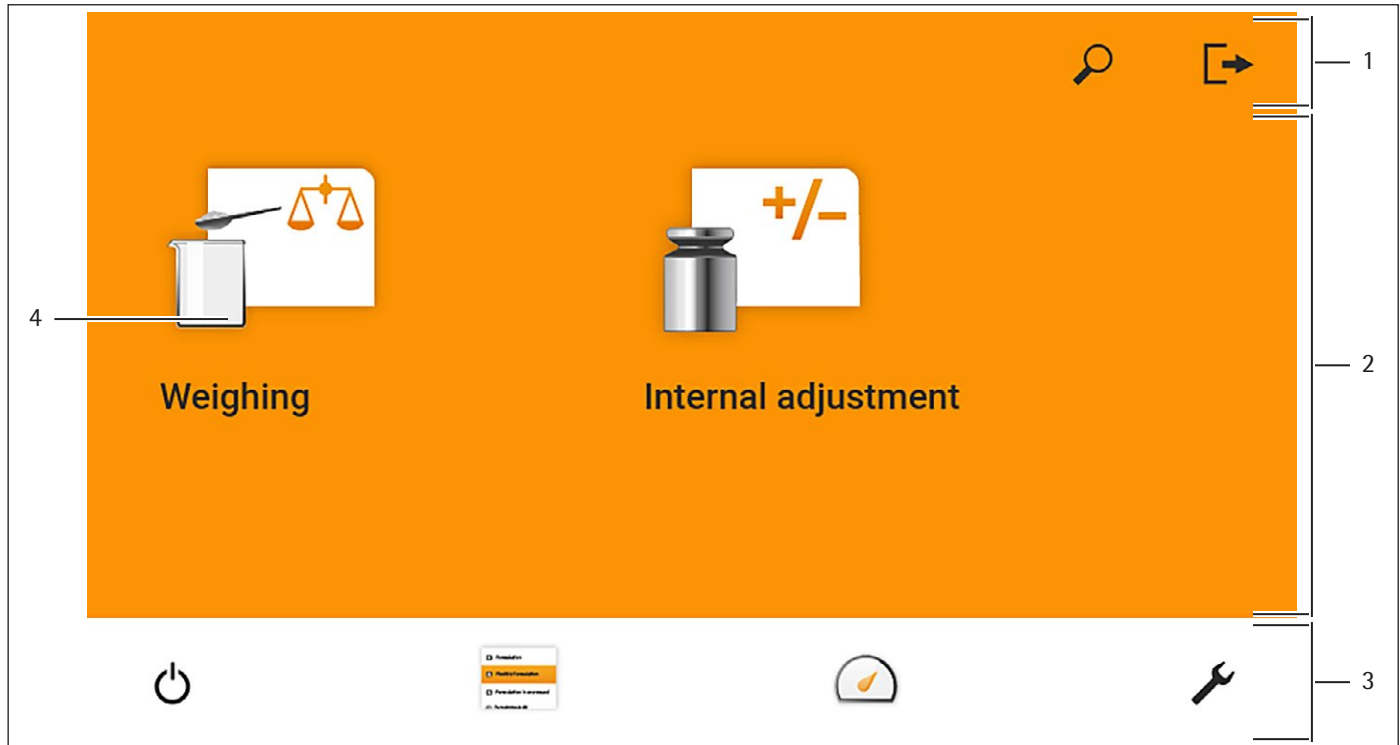


Fig. 1: Operating elements in the main menu (example)

Pos.	Name	Description
1	Navigation and function bar	<ul style="list-style-type: none"> <li>– Enables navigation and searching in menus and lists.</li> <li>– In the "Settings" Menu: Displays the name of the menu.</li> </ul>
2	Available tasks	Displays all tasks available for the active user.
3	Function bar	Displays available submenus and operating functions for the current display and current user.
4	Task	Starts the described task.

## 4.2 Operating Elements in Task Management

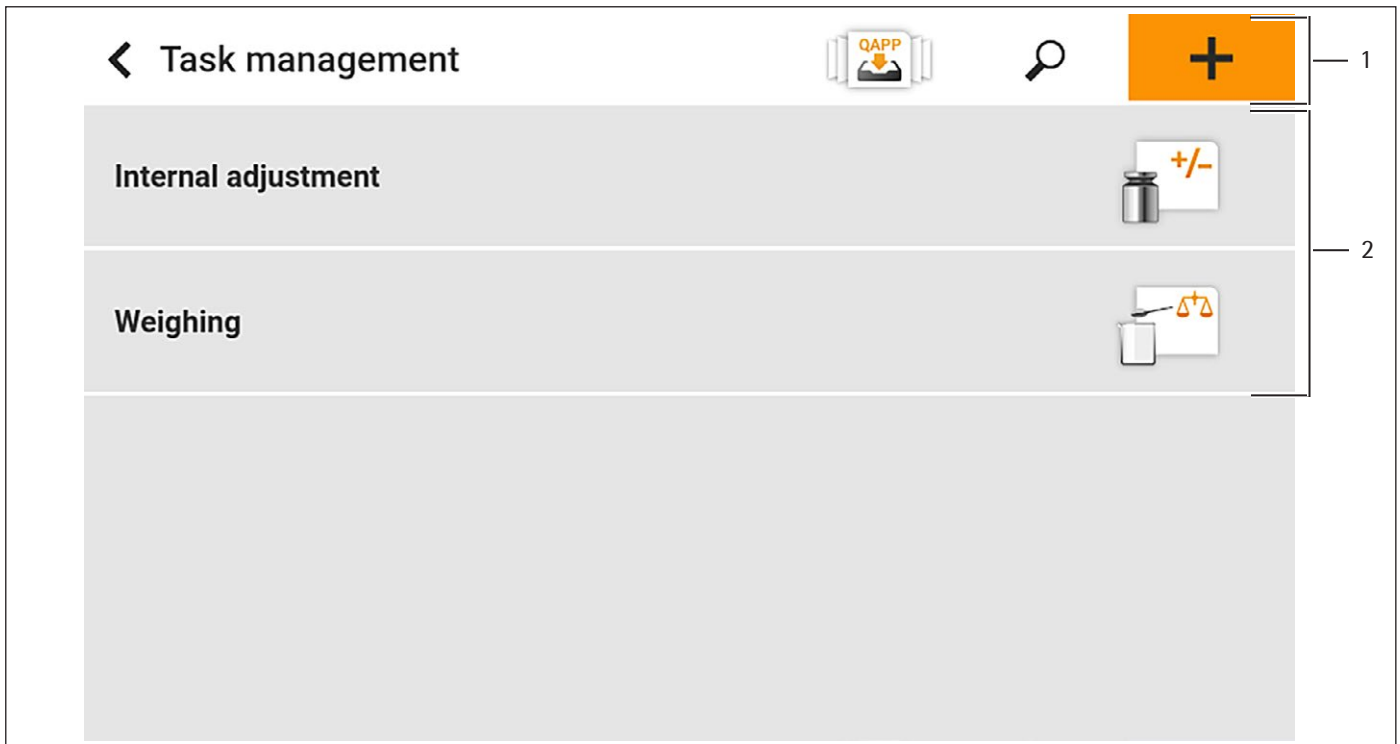


Fig.2: Operating elements in Task Management (example)

Pos.	Name	Description
1	Navigation and function bar	<ul style="list-style-type: none"> <li>– Enables navigation and searching in menus and lists.</li> <li>– Enables the addition of tasks.</li> <li>– Opens the QAPP center.</li> <li>– Displays the name of the menu.</li> </ul>
2	Available tasks	<ul style="list-style-type: none"> <li>– Displays all available tasks.</li> <li>– Opens a summary of the properties for the displayed task.</li> </ul>

### 4.3 Operating Elements in the Weighing Display

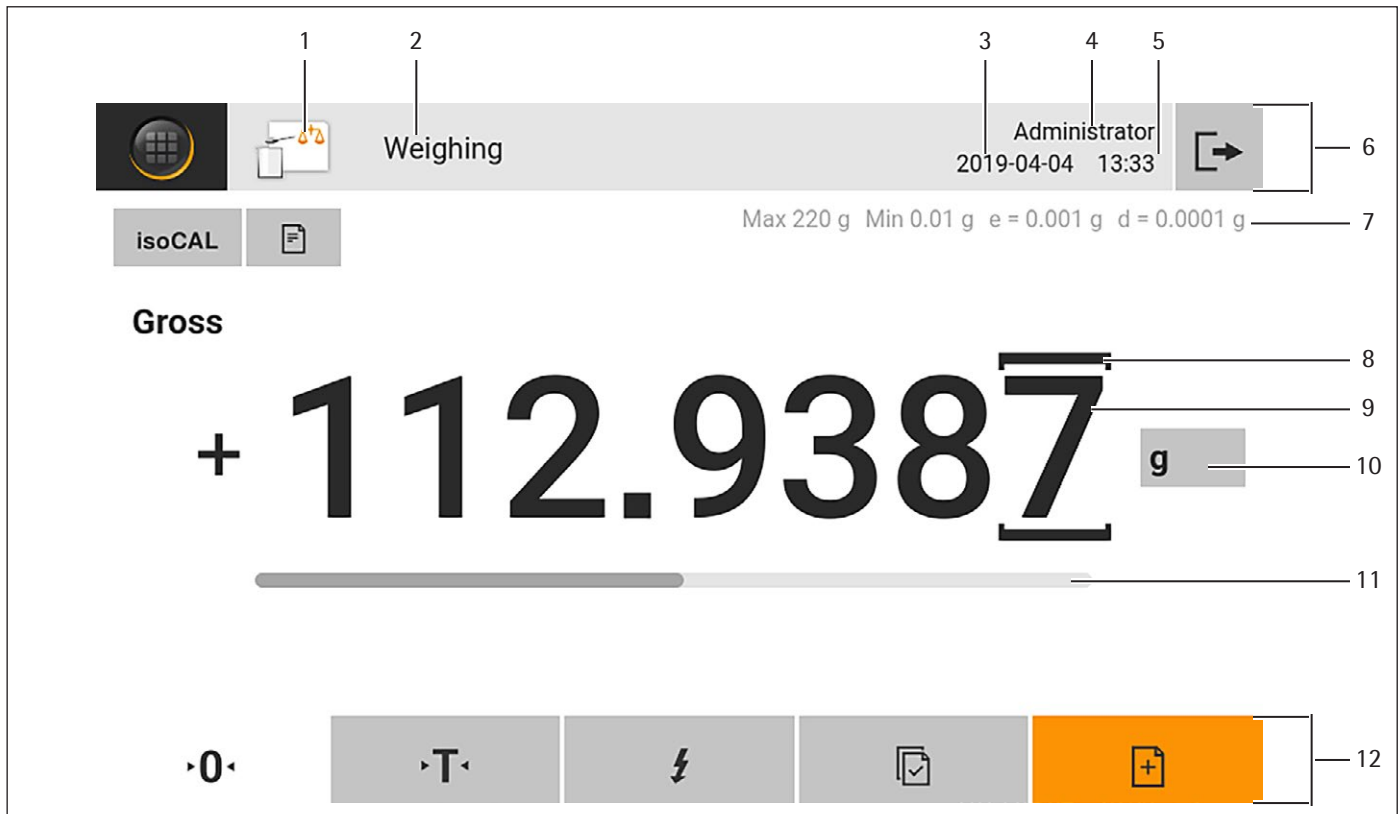


Fig. 3: Weighing display (example)

Pos.	Name	Description
1	Application symbol	Displays the symbol for the active application.
2	Task name	Displays the name of the active task.
3	Date display	Displays the current date.
4	User name	Displays the name of the active user profile.
5	Time display	Displays the current time.
6	Navigation bar	Enables navigation in menus.
7	Metrological data	
8	Labeled points	Labels the differentiated points.
9	Weight value display	In the selected unit and resolution
10	Weighing unit	Displays the selected unit, e.g. grams, [g]. Enables the unit and resolution to be selected.
11	Bar graph	Displays the measured value as a percentage of weighing capacity utilization.
12	Function bar	Displays available operating functions for the current display.

## 4.4 Advanced Operator Guidance

Advanced applications have advanced operator guidance.

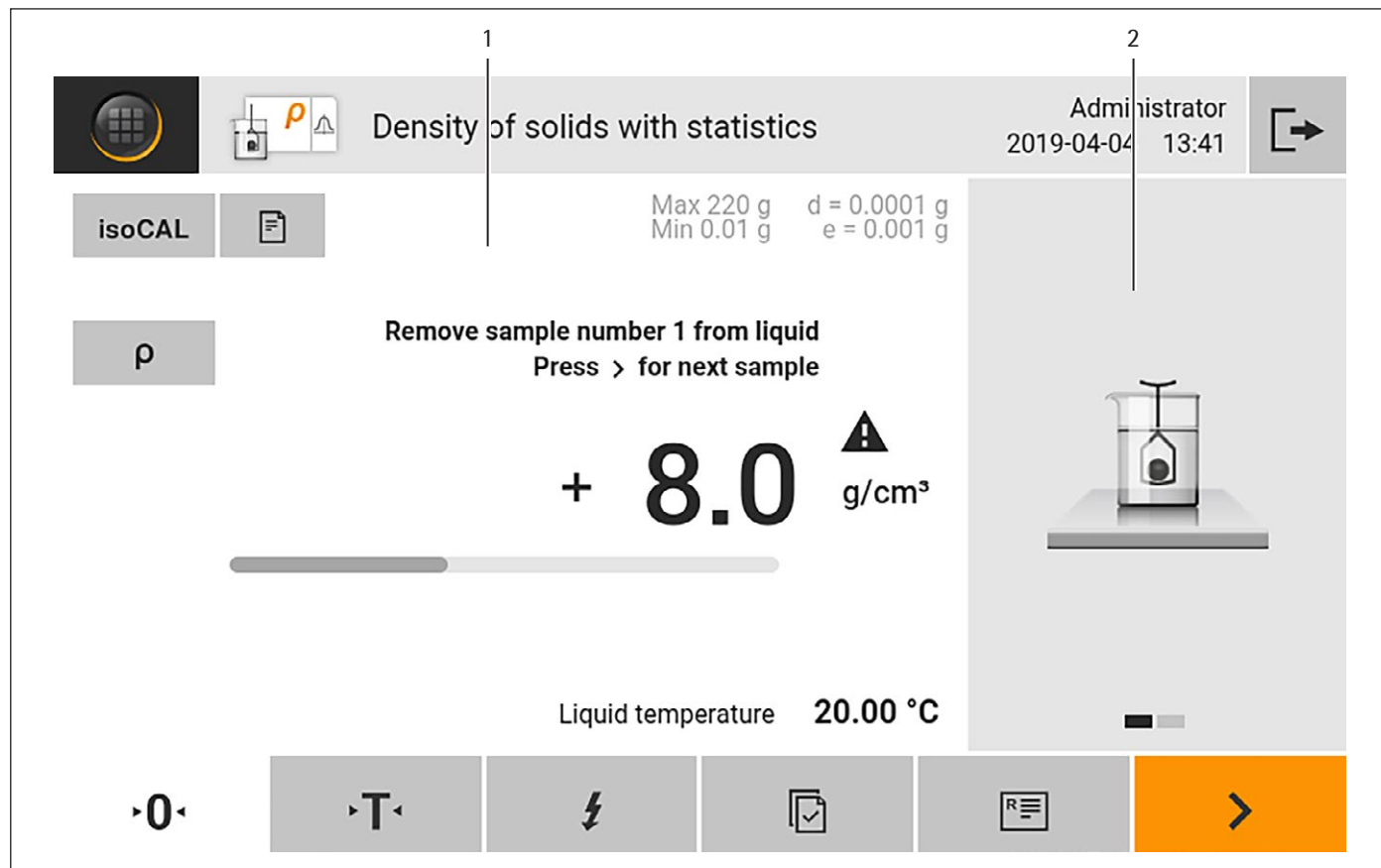


Fig. 4: Advanced operator guidance (example)

Pos.	Name	Description
1	Weighing display with operator guidance	
2	Advanced operator guidance	<p>Guides the user through the active task. Includes 2 or 3 convertible displays depending on the selected application:</p> <ul style="list-style-type: none"> <li>– First display: Shows the step currently being carried out as a graphic display.</li> <li>– Second display: Shows the current parameters for the task.</li> <li>– Third display, only for applications with statistics function: Represents statistical information as a curve.</li> </ul>

## 4.5 Messages

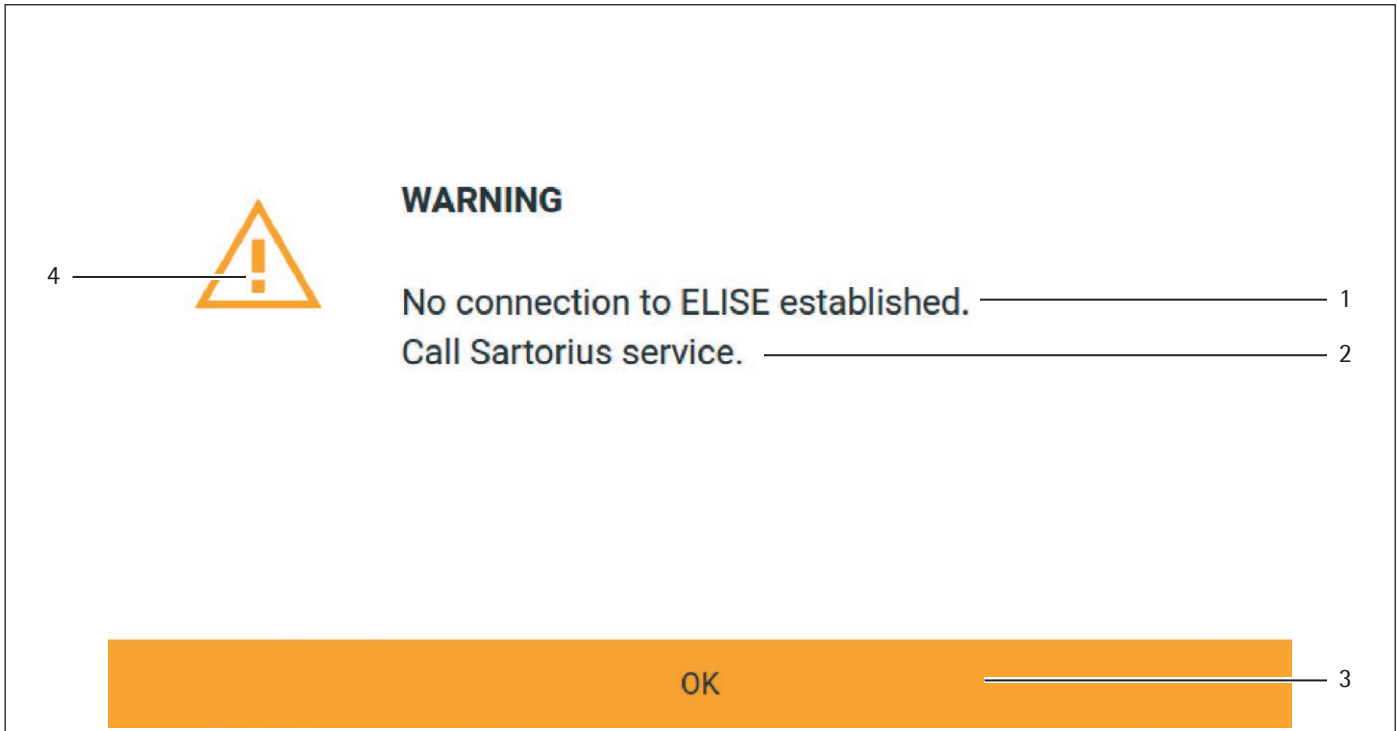


Fig. 5: Error message (example)

Pos.	Name	Description
1	Description	Specifies the cause.
2	Remedy	Specifies the measures necessary to eliminate the cause of the message.
3	Confirm	Confirms and closes the message.
4	Message type	Indicates that the message is a status message, warning message, or an error message.

## 4.6 Status Center

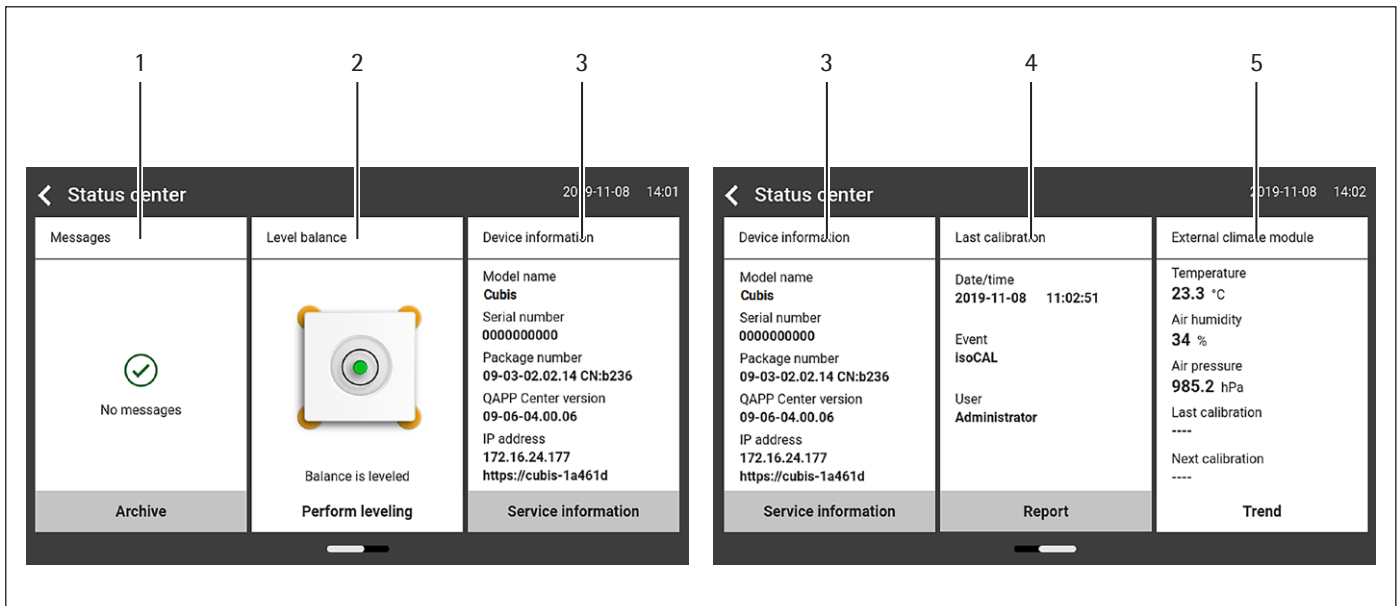


Fig. 6: Status Center (example)

Pos.	Name	Description
1	Messages	Displays information, warning, and error messages.
2	Leveling status	Displays the status of the level.
3	Status for the device	Displays the general device information.
4	Calibration and adjustment report	Displays the data for the last adjustment and calibration.
5	Climate data status	Displays the data from the optional climate module.

## 4.7 Keypad

The keypad is used for entering values in entry fields. If an entry field is activated: The alphanumeric keypad or numerical keypad appears.

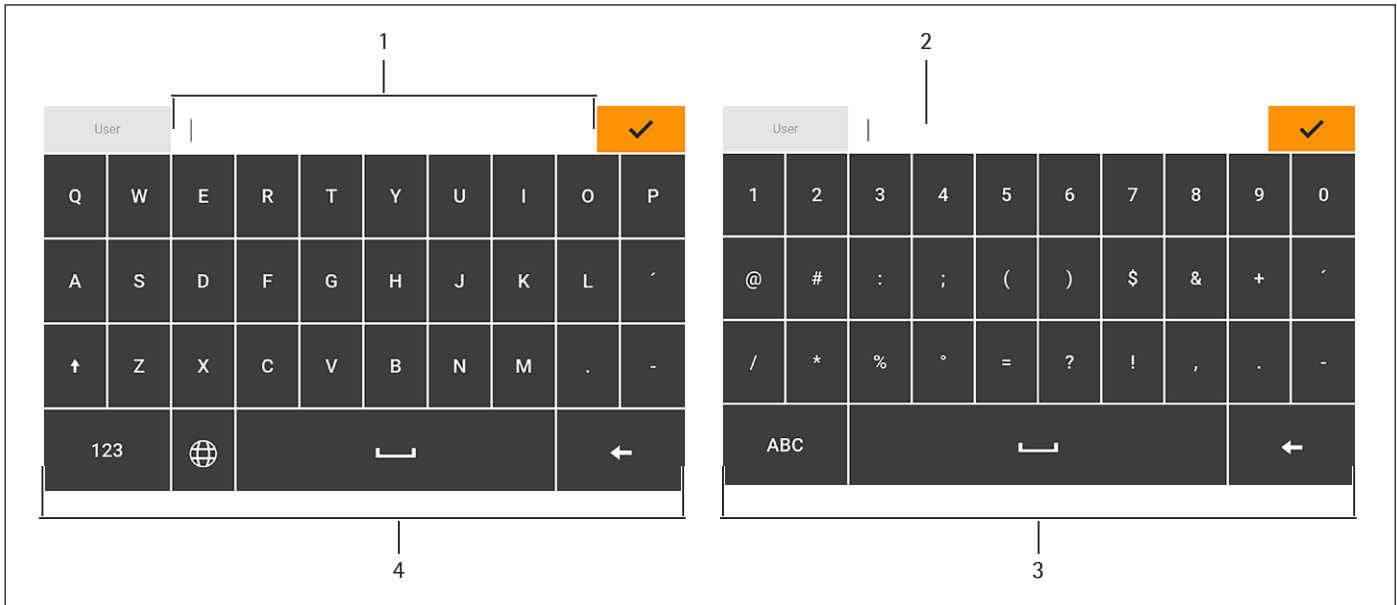


Fig. 7: Alphanumeric keypad and numerical keypad (example)

Pos.	Name	Description
1	Entry field	
2	Input assistance	Indicates which values must be entered in the input field, e.g. numbers only.
3	Numeric keypad	
4	Alphanumeric keypad	

## 4.8 Status Display of the Buttons








Symbol	Name	Description
	Predominant button	Indicates that the function must be executed. The button is color-highlighted.
	Secondary button	Indicates that the function can be executed. The button is highlighted gray.
	Inactive button	Indicates that the function currently <b>cannot</b> be executed. The button is grayed out.









## 4.9 Buttons in the Operating Display









### 4.9.1 Buttons for Navigation or Organization in Displays

Symbol	Name	Description
	[Menu] button	Quits the active task and opens the main menu.
	[Back] button	<ul style="list-style-type: none"> <li>– Returns to the previous display.</li> <li>– In the main menu: Accesses the last-performed task.</li> </ul>
	[Search] button	Displays options for browsing tasks and list elements.
	[Filter] button	Displays options for filtering tasks and list elements.
	[Sort] button	Displays options for sorting tasks and list elements.
	[Standby] button	Switches the operating display to standby mode.
	[Task Management] button	Opens Task Management.
	[Status Center] button	Opens the Status Center.
	[Setup] button	Opens the "Settings" menu.
	[User Logout] button	Logs the currently active user out and accesses the login display.
	[User Login] button	Accesses the login display.
	[Next] button	Accesses the next display, e.g. the next processing step for a wizard.
	[Active Search] button	Displays an active search for tasks or list elements.
	[Active Filter] button	Displays an active filter for tasks or list elements.
	[Sort Ascending] button	Sorts tasks or list elements in ascending order.
	[Sort Descending] button	Sorts tasks or list elements in descending order.
	[10 Positions Forward] button	Jumps forwards 10 positions in tasks or list elements.
	[10 Positions Right] button	Jumps 10 positions to the right in tasks or list elements.


Symbol	Name	Description
<b>Service Information</b>	[Service Info] button	Opens the "Settings" / "Device Settings" / "Device Information" / "Service" menu.
<b>Archive</b>	[Status List] button	Opens an overview of all status messages, warning messages, and error messages.
<b>Perform leveling</b>	[Leveling] button	Opens the Leveling Wizard.
	[Warning] button	Opens the list of current warning messages.
	[Error] button	Opens the list of current error messages.
	[Info] button	<ul style="list-style-type: none"> <li>– Opens a display with additional information using the current menu.</li> <li>– In the Status Center: Opens the list of current status messages.</li> </ul>
	[QAPP Center] button	Opens the QAPP center.
	[Details] button	Shows additional information about an element.
	[Display Image] button	Displays available images or videos.
	[Close Menu] button	Closes the menu.












#### 4.9.2 Buttons for Editing or Managing Entries

Symbol	Name	Description
	[New] button	<ul style="list-style-type: none"> <li>– In Task Management: Starts the wizard for creating a new task.</li> <li>– In Profile Management: Starts the wizard for creating a new weighing or print profile.</li> </ul>
	[Activate QAPP] button	Opens the display for activating an application.
	[OK] button	Saves a selection or entry.
	[More] button	Shows the keypad for entering a user-defined value.
	[Select All] button	Selects all elements of a list.
	[Deselect All] button	Deselects the selection for all elements of a list.



Symbol	Name	Description
	[Cancel] button	<ul style="list-style-type: none"> <li>– Cancels the current process without saving the changed settings or values.</li> <li>– In the display for editing the print memory: Marks the selected value as invalid.</li> </ul>
	[Edit] button	Accesses the Adjustment Wizard for editing the displayed element, e.g. for setting the parameters for a task.
	[Delete] button	Deletes the selected element.
	[User Activated] button	Logs in a deactivated user.
	[User Deactivated] button	Logs out the currently logged-in user.
<b>LICENSE</b>	[License] button	Opens the entry field for the license key for activating a QAPP package or application.
	[Keypad] button	Shows the keypad.
	[Select Character Set] button	Accesses the Adjustment Wizard for selecting a character set.
<b>▶ PT1</b>	[Show Preset Tare 1 Function] button	Shows the preset tare 1 function.
<b>◀ PT1</b>	[Hide Preset Tare 1 Function] button	Hides the preset tare 1 function.
	[Lock] button	Opens the entry field to change the password for the active user.








#### 4.9.3 Weighing and Print Function Buttons

Symbol	Name	Description
	[Leveling] button	Opens the Leveling Wizard.
<b>isoCAL</b>	[isoCAL] button	Starts the isoCAL function.
<b>Prc</b>	[Result] button	Toggles between the result and weight value display for the current application, e.g. weighing in percent.
<b>▶ 0 ◀</b>	[Zero] button	Starts zeroing.
<b>▶ T ◀</b>	[Tare] button	Starts taring.
<b>▶ T1 ◀</b>	[Tare 1] button	Stores the current weight value in the tare 1 memory.
<b>Tare 1 0.00 g</b>	[Tare 1 Entry] button	Opens an entry field for manually entering the tare 1 value.

Symbol	Name	Description
	[Delete Tare 1] button	Deletes the tare 1 memory.
	[Start] button	Starts the selected application.
	[Quit] button	Quits the active application and opens the Print Memory display.
	[Confirm] button	Confirms the current display and initializes the next step.
	[Save] button	Saves the weight value and sends it to the print memory.
	[Print memory] button	Opens the Print Memory display.
	[Print] button	– If the Print Memory is displayed: Exports the saved print orders via the integrated data interfaces.
	[Ionizer] button	Only for semi-microbalances and analytical balances with integrated ionizers: Starts an ionization process.
<b>g</b>	[Unit change] button	– Toggles between the weight units and the resolution. – Accesses the "Unit change" function menu.
	[Restart] button	If an application is active: Deletes the saved values and restarts the application.
	[Report] button	If an application is active, e.g. density determination: Displays a report about the progress of the application.
	[Result report] button	If an application is active, e.g. density determination: Displays a report about the result of the application.

#### 4.10 Displays in the Operating Display

Symbol	Name	Description
	[Leveling] display	Indicates that the device is <b>not</b> leveled.
	[Print memory] display	Indicates that the elements are located in the print memory.
<b>g</b>	[Unit symbol] display	Indicates the set weight unit, e.g. [g] for "grams".
<b>Gross</b>	[Result] display	Indicates whether the weight value being displayed is a gross value or the result of an application.

Symbol	Name	Description
	[Invalid weight value] display	<ul style="list-style-type: none"> <li>– Together with the unit, the display shows the calculated weight value of an application, e.g. for the “Totalizing” application. The displayed weight value is less than the specified minimum weight.</li> <li>– For conformity-assessed devices without unit display: <ul style="list-style-type: none"> <li>– Negative gross value</li> <li>– The device has <b>not</b> yet reached the necessary operating temperature to accurately determine the weight.</li> <li>– The device is <b>not</b> leveled.</li> <li>– The device requires the isoCAL function to be executed.</li> </ul> </li> </ul>
	[Sign] display	Indicates whether the value being displayed is positive or negative.
	[Current page] display	<ul style="list-style-type: none"> <li>– Indicates that the current display is a multi-page display.</li> <li>– Indicates which page of a multi-page display is being displayed currently.</li> </ul>
	[Copy] button	Indicates that data are being copied.
	[Selection] display	Indicates that an entry is selected in a list.
	[Target value] display	Displays the target value in the bar graph display.
	[Factory mode] display	Indicates that the device is being operated in the factory default mode.

## 4.11 User Management

### 4.11.1 User Profiles

In the factory, 4 user profiles are created for the device. One role is assigned to each user profile. Each role has rights to operate the device. The rights assigned to each role depend on which device functions the user has to use. User profiles can be adapted.

Additional user profiles, roles, and rights may be activated in the QAPP center.

### 4.11.2 User Login

The user must log in to the login display with a user profile. Various setting options and tasks are displayed in the operating display depending on the user profile and role.

## 4.12 Weighing and Print Profiles

Weighing and print profiles can be created. These profiles can be assigned to a task.

Preset profiles can be used in a task. The preset profiles can be adjusted individually to the application and saved in new profiles for weighing and printing.

## 4.13 Tasks and Applications

Device functions such as weighing or calibration and adjustment are carried out using tasks. Applications must be assigned to a task.

A task is visible to all users who are approved for this task.

The device is supplied with some freely accessible applications in the "Essentials" QAPP package which can be used to carry out the most important functions.

Additional applications can be unlocked via the QAPP center for a fee.

## 4.14 Menu Structure

### 4.14.1 Main Menu

► Navigating in menus (see Chapter 4.15, page 36).

Level 1	Level 2	Level 3	Description
Task management			Displays all available tasks.
			Opens a summary of the properties for the displayed task.
	QAPP center		Display the available QAPP packages.
Status Center			Display information on the device status, e.g. level status.
Settings	Device information		
	User management		
	Access management		Only available if the "User Management" extension has been licensed in the QAPP center.
	Timer-controlled actions		
	Weighing and print Profiles		
	Connections		
	Device settings		
	Device maintenance		

### 4.14.2 "Settings" Menu

Depending on the approved applications, the device may display additional menus.

► Navigating in menus (see Chapter 4.15, page 36).

Level 1	Level 2	Level 3	Description
Device information	General device information	Manufacturer	Display information about the device's manufacturer.
		Model name	Display the device's model name.
		Serial number	Display the device's serial number.
		Package version	Display the version of the device firmware with check number.
		QAPP Center Version	Display the version of the QAPP center.
		IP address	Display the IP address of the device.
		Host name	Display the device's host name in a network.
		MAC address	Display the MAC address of the device.
		Certification body SHA1 fingerprint	Display the certification body's SHA1 fingerprint.
		HTTPS certificate SHA1 fingerprint	Display the HTTPS certificate's SHA1 fingerprint.
	Service	Service contact	Display the responsible contact at Sartorius Service.
		Telephone number	Display the telephone number for Sartorius Service.

Level 1	Level 2	Level 3	Description
		E-mail	Display the e-mail address for Sartorius Service.
		Hotline	Display the technical hotline for Sartorius Service.
		Contract	Display the responsible contact for maintenance measures.
		Next scheduled maintenance	Display the date for the next scheduled maintenance.
		Warning date	Display the warning date for maintenance.
		Maintenance cycle	Display the maintenance cycle.
		Website	Display the website for Sartorius Service.
		Device qualification	Display the qualification date.
	View data storage device		Display, filter, or browse the contents of the data storage device.
	View audit trail		If an audit trail license has been purchased: Display, filter, or browse the contents of the audit trail memory.
	Diagnostics information	Package version	Display the version of the device firmware with check number.
		Balance version	Display the version of the BAC processor.
		Application version	Display the version of the APC processor.
		MCU version	Display the version of the MCU processor.
		Draft shield version	Display the version of the WPC processor.
	Software licenses		The list of all open source software modules used.
User management	4 standard user profiles		Display or edit the standard user profiles. If the "User Management" extension has been configured in the QAPP center: Display or edit additional user profiles, roles, and rules.
Access management	Role management	3 user profiles	If the "User Management" extension has been configured in the QAPP center: Define the role names, description, and rights for the user profile.
	Rules		If the "User Management" extension has been configured in the QAPP center: Define the rules for failed attempts at password entry.
	Local password rules		If the "User Management" extension has been configured in the QAPP center: Define the permissible characters, length, and validity time for the password.
	LDAP server configuration		If the "User Management" extension has been configured in the QAPP center: Configure the data for device communication with an LDAP server.



Level 1	Level 2	Level 3	Description
Timer-controlled actions	Start task		Display, edit or delete properties for starting the task.
	Display message		Display, edit or delete the message name and content.
	Standby mode		Display, edit or delete execution of the action for standby mode.
	Wake-up from standby		Display, edit or delete the execution time and name for wake-up from standby.
	Switch-off		Display, edit, or delete the execution time for the action.
	Automatic backup		Display, edit, or delete the backup name and properties.
	Export audit trail		Display and select options for export.
Weighing and print profiles	Weighing	List of available weighing profiles	Display all available weighing profiles. Edit, create or delete the weighing profiles.
	YDP30	List of available print profiles	Display all available print profiles. Edit, create or delete the print profiles.
	PDF	PDF document on USB	Display all available print profiles. Edit, create or delete the print profiles.
	CSV	Spreadsheet (CSV) on USB	Display all available print profiles. Edit, create or delete the print profiles.
	PC direct	PC direct (USB keyboard emulation)	Display all available PC direct profiles. Edit, create or delete the PC direct profiles.
	SBI direct	SBI print	Display all available SBI direct profiles. Edit, create or delete the SBI direct profiles.
Connections	Connectors	USB	Define the settings for the connected USB stick.
		YDP30-NET	Enter the IP/host address and the parameters for the printer.
		FTP	If this extension has been configured in the QAPP center: The connection to the FTP or FTPS servers facilitates file transfer using the FTP or FTPS protocol.
		FTPS	
		Network printer	Enter the IP/host address and the protocol for the network printer.
		SMB	If the "Windows File Server" extension has been configured in the QAPP center: The connection to the Windows file server facilitates file transfer using the Server Message Block (SMB protocol).
	Network	General settings	Define the device host name.
		Ethernet	Display and edit settings for the device's Ethernet connection.
		Wi-Fi	Define and edit settings for the device's Wi-Fi connection.

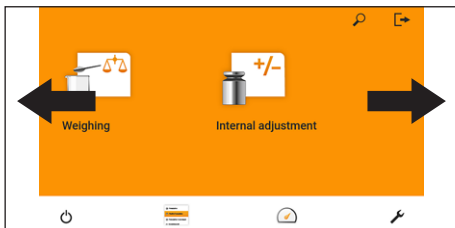
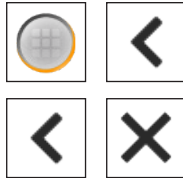
Level 1	Level 2	Level 3	Description
Device settings	Website/web services	Website access	Determines the settings for the display of the website for the device.
		Remote access	Define the settings for controlling the device remotely.
		Web service password	Define the password for the web services.
	Interfaces	Serial communication over network	Display and edit the profile for the Ethernet connection.
		COM-RS232 interface	Display and edit the profile for the RS232 connection.
		USB-B interface	Display and edit the profile for the USB-B connection.
	SBI protocol	Format	Configure the settings for the data output and data output format.
		Output	Define whether the output takes place with or without stability.
		Automatic data output	Activate or deactivate the output rate for automatic data output.
	Climate modules		Define the settings for the connected climate module.
	Connected devices	Motion sensor	Define the number and function of the gestures. Only available if a motion sensor is connected to the device.
	Date and time	NTP configuration	Activate or deactivate time synchronization via NTP.
		Set the date and time	Enter a date and time. Determine the time zone.
	Safe weighing	isoCAL execution mode	Set the isoCAL function.
		Safety level	Set the alert level for the message indicating that the isoCAL function must be executed.
minUSP	minUSP function	If this extension has been activated in the QAPP center: Activate or deactivate the minimum weight.	
	Starting point of operating range	If this extension has been activated in the QAPP center: Define the starting point value.	
	Mark weight values < minUSP as invalid	If this extension has been activated in the QAPP center: Activates the identification of weight values that are less than the minimum weight.	
Device ID	Device ID 1–2	Determine the device identifier.	
Draft shield	Left/right palm-operated key	Set the function of the left and right palm-operated keys. Only for devices with a motorized draft shield	

Level 1	Level 2	Level 3	Description	
	Ionizer	Activation ionizer	Define the switch-on behavior for the ionizer. Only for devices with an ionizer	
		Intensity	Define the intensity of the ionization process.	
		Start-up duration	Define the duration of the ionization process in seconds.	
	Electronic signature	Sign report	If the QAPP extension has been activated: Activate or deactivate the electronic signature.	
	Start-up behavior	Initial zeroing and taring	Activate or deactivate automatic zeroing and taring when starting the device.	
		Automatic login	Activate or deactivate automatic log-in of the last user when starting the device.	
		Automatic start of last task	Activate or deactivate automatic start of the last task when starting the device.	
	Display properties	Display brightness	Define the brightness of the operating display.	
		On/off switch	Activate or deactivate the "energy saving" function.	
		Color scheme	Define the settings for the operating display color scheme if this extension has been configured in the QAPP center.	
	Sound (loudspeaker)	Touch sounds	Activate or deactivate the acoustic signal when operating a button.	
		Message sounds	Activate or deactivate the acoustic signal for messages.	
		Sound for end-of-action	Activate or deactivate the acoustic signal for the end of an action.	
	Device maintenance	Update firmware	USB stick	Update the firmware. The menu is <b>not</b> available for conformity-assessed devices.
		Refreshed QAPP center	USB stick	Update the QAPP center using the connected USB stick.
Update customized QAPP		USB stick	Update the customized QAPP using the connected USB stick.	
Device data backup		USB stick	Save the device data on a connected USB stick.	
Restore device data		USB stick	Load the device data from a connected USB stick.	
Export device data		Role management	Save device role management for an administrator, user, or guest on a connected USB stick.	
		User management	Save device user management for an administrator, user, or guest on a connected USB stick.	
Import device data			Load the device data from a connected USB stick.	
Restore factory settings			Reset the device to factory settings and delete all configurations. The audit trail and data memory will be retained.	
Create diagnostic file		Save information about the device configuration and the ongoing operation on a connected USB stick.		

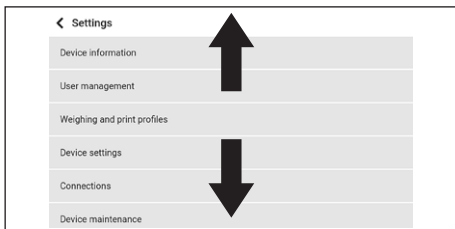
## 4.15 Navigating the Menus

### Procedure

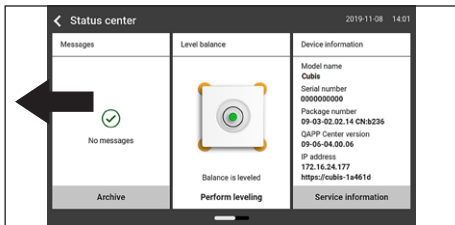
- ▶ To open a menu from the main menu: Tap on the desired menu button in the function bar.
- ▷ The menu opens and the name of the open menu is displayed in the navigation bar.
- ▶ To return to the main menu from other displays: Press the [Menu] button or press the [Back] button (multiple times) until the main menu is displayed.
- ▶ To exit a display: Press the [Back] or [Cancel] button.



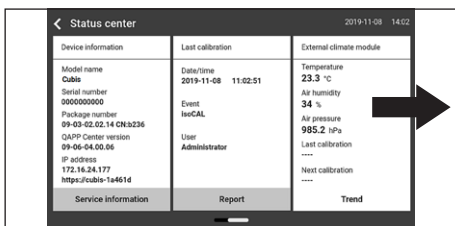
- ▶ To scroll through the tasks available in the main menu: Swipe the task bar to the left or right.



- ▶ To scroll through the list of options in an administration menu (settings, tasks, applications, ...): Swipe the list downwards or upwards.



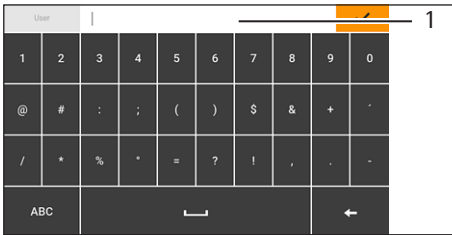
- ▶ To display the next page in a display containing several pages, e.g. in the Status Center: Swipe the display to the left.



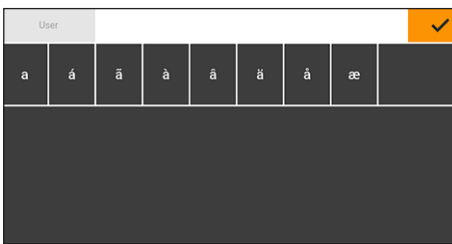
- ▶ To display the previous page in a display with several pages: Swipe the display to the right.

- ▶ If a value needs to be selected from a list:
  - ▶ Scroll to the desired value in the display. In order to do so, swipe the display upwards or downwards.
  - ▶ Press the desired value.
  - ▶ To confirm the selection: Press the [OK] button.
- ▷ The selected value is saved and the list closes.





- ▶ If elements from a display need to be filtered or a display needs to be browsed:
  - ▶ Press the [Search] or [Filter] button.
  - ▷ The keypad is displayed.
  - ▶ Type the searched value or value to be filtered into the entry field (1) using the keypad.
  - ▶ Press the [OK] button.
- ▶ To close the entry field for searching and filtering without starting a search or filter operation: Enter **no** value in the entry field or delete the entered value.
  - ▶ Press the [OK] button.



- ▶ If language-specific characters need to be entered using the keypad:
  - ▶ Press and hold a letter on the keypad.
  - ▷ If language-specific characters are available for the letter being pressed: A display opens containing all the language-specific characters available for the letter being pressed.
  - ▶ To select a language-specific character and return to the keypad display: Tap on the desired language-specific character.

## 5 Installation

### 5.1 Scope of Delivery

Item	Quantity
Device	1
Weighing pan	1
Shield plate	1
For models with pan support: Pan support	1
AC adapter	1
For models with a motorized draft shield: Palm-operated key	2
Country-specific power supply cable with test seal	1
USB connection cable	1
In-use dust cover for display and control unit	1
For models with analytical draft shield: Dust cover	1
For models without a draft shield: In-use dust cover for the weighing module	1
For semi-microbalances: Electronics module with power supply cable	1
For semi-microbalances: Connection cable for electronics module	1

### 5.2 Selecting an Installation Site

#### Procedure

- Make sure that the following conditions are met at the installation site:

Condition	Features
Ambient conditions	Suitability tested (see Chapter "15.2 Ambient Conditions", page 85)
Setup surface	<p>Stable, even surface that is not exposed to vibrations</p> <p><b>Not</b> directly against a wall</p> <p>Sufficiently dimensioned for the device and the peripheral devices (device space requirements see Chapter "15.1 Dimensions and Weight", page 84; peripheral device space requirements see instructions for the peripheral devices, e.g. printer)</p> <p>Sufficient load-bearing capacity for the device and the peripheral devices even when full (device weight see Chapter "15.1 Dimensions and Weight", page 84; weight of the peripheral devices see instructions for the peripheral devices, e.g. printer)</p>
Access	Barrier-free

## 5.3 Unpacking the Device

### Procedure

- ▶ Lift the device with the styrofoam padding out of the packaging.
- ▶ Place the device in the styrofoam padding on its side.
- ▶ Lift the styrofoam padding off the device.
- ▶ **NOTICE** Glass breakage due to incorrect handling of the device! Only lift the device by its base.
- ▶ Place the device on its base.
- ▶ Keep all parts of the original packaging, e.g. to return the device.

## 5.4 Removing the Display and Control Unit

### 5.4.1 Positioning the Display and Control Unit

The display and control unit can be removed. This enables the flexible setup of the display and control unit at the workplace.

Tool: 1 Torx Allen key, T20

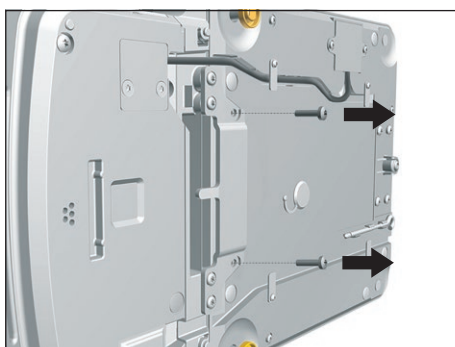
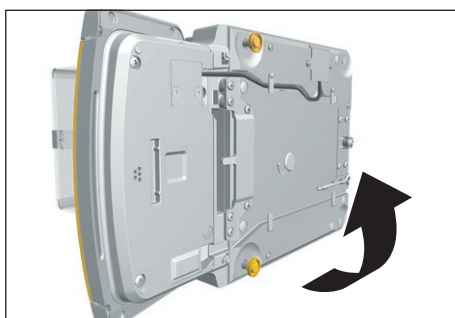
Material: 1 soft support base

### Requirements

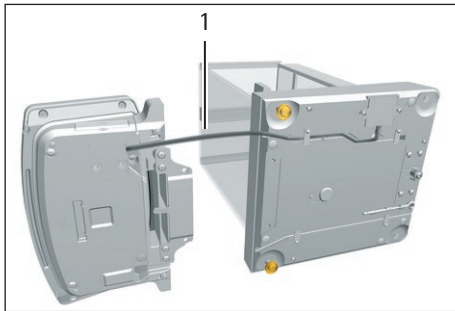
- The weighing pan and the associated components have **not** been set up.
- For a device with an analytical draft shield or flat glass draft shield: The side panels and upper panel have **not** been fitted.

### Procedure

- ▶ Turn the device on its side and place it on the soft support base.



- ▶ To loosen the control unit's retainer: Use the Torx Allen key to remove both screws.
- ▶ Remove the control unit and re-insert both screws into the threaded holes.



- ▶ Pull the connection cable between the control unit and the weighing module (1) out of the control unit's retainer to the required length.

- ▶ Place the device back on the device base on a level surface.

## 5.5 Connecting the Ethernet Cable

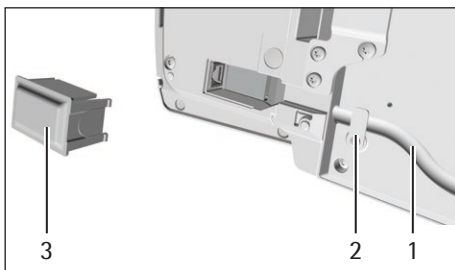
Material: 1 Ethernet cable  
1 soft support base

### Requirements

- The weighing pan and the associated components have **not** been set up.
- For a device with an analytical draft shield or flat glass draft shield: The side panels and upper panel have **not** been fitted.

### Procedure

- ▶ If the display and control unit is attached to the weighing module or electronics module: Turn over the device and place on a soft surface.
- ▶ If the display and control unit is removed from the weighing module or electronics module: Turn over the display and control unit and place on a soft surface.
- ▶ Remove the cover (3) of the Ethernet connection socket on the underside of the display and control unit.
- ▶ Plug the Ethernet cable into the Ethernet connection socket.
- ▶ If the display and control unit is attached to the weighing module or electronics module: Place the Ethernet cable into the cable channel (1) and turn the cable lock (2) using the Ethernet cable.
- ▶ If the display and control unit is removed from the weighing module or electronics module: Place the Ethernet cable in the cable channel.
- ▶ Place the device back on the device base on a level surface.



## 5.6 Preparing Below-balance Weighing

The device can be configured for below-balance weighing. Samples can be suspended for weighing using below-balance weighing, e.g. samples, which do **not** fit on the weighing pan.

For below-balance weighing, the hook must be installed in the device base and the device set up on a weighing table with recess.

**M**

In legal metrology:

- The below-balance weighing equipment may **not** be used.
- The cover of the below-balance weighing equipment may **not** be opened.

Material: 1 soft support base  
1 draft protection shield  
1 weighing table with recess

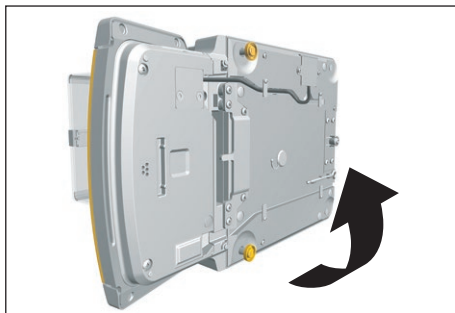


### Requirements

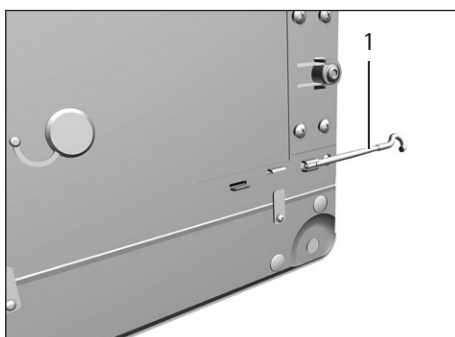
- The weighing pan and the associated components have **not** been set up.
- For a device with an analytical draft shield or flat glass draft shield: The side panels and upper panel have **not** been fitted.

### Procedure

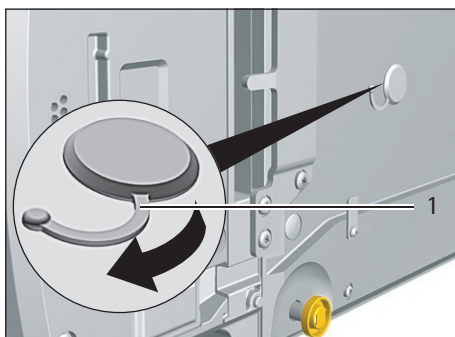
- ▶ Turn the device on its side and place it on the soft support base.



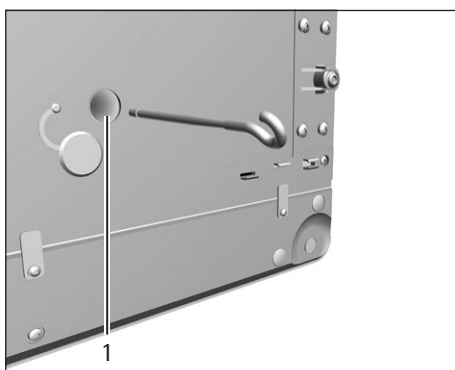
- ▶ Remove the hook for below-balance weighing (1) from the retainer on the underside of the base of the device.



- ▶ Pull the cover of the below-balance weighing equipment (1) out.



- ▶ **NOTICE** Damage to the device from cross-threading! Ensure that the hook for below-balance weighing is inserted straight into the thread (1).



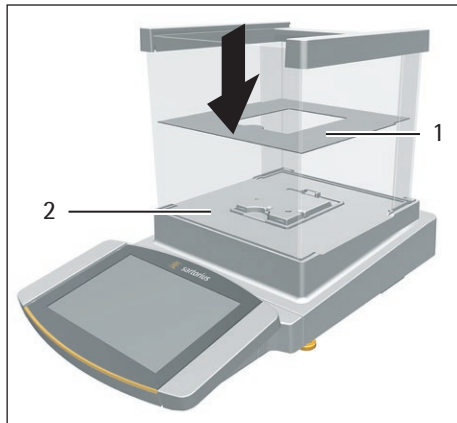
- ▶ Set up the device on the weighing table with recess. The hook for below-balance weighing may **not** touch the floor.
- ▶ Install the draft protection shield.

## 5.7 Installing a Device with an Analytical Draft Shield or Flat Glass Draft Shield

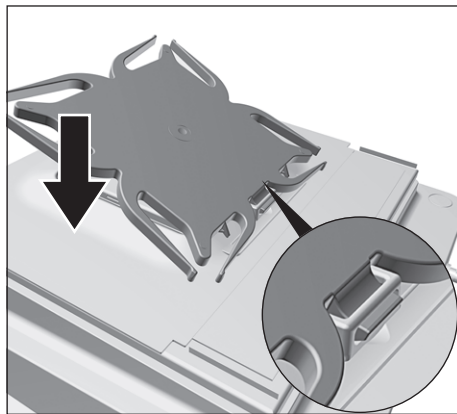
### 5.7.1 Positioning the Weighing Pan and Associated Components

#### Procedure

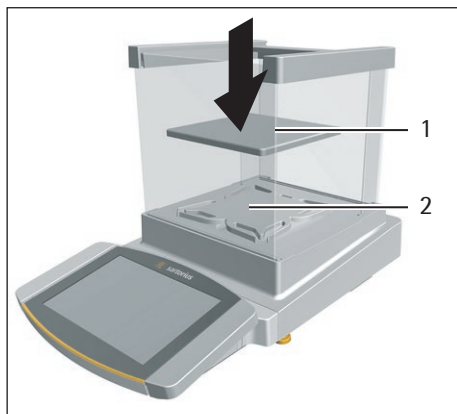
- ▶ If this relates to a device with a pan support:
  - ▶ Place the shield plate (1) on the base of the weighing chamber (2).

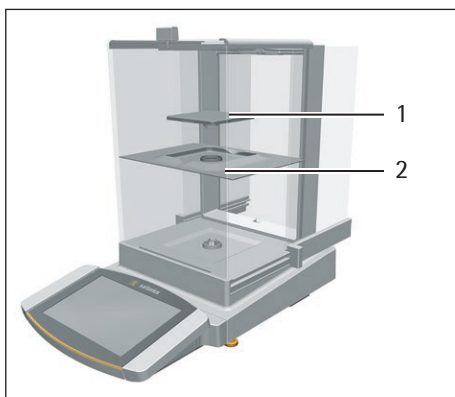


- ▶ Hook the pin on the pan support into the clip on the pan retainer.
- ▶ Push the pan support down onto the pan retainer until the pan support lies parallel to the device housing.



- ▶ Place the weighing pan (1) onto the pan support (2).

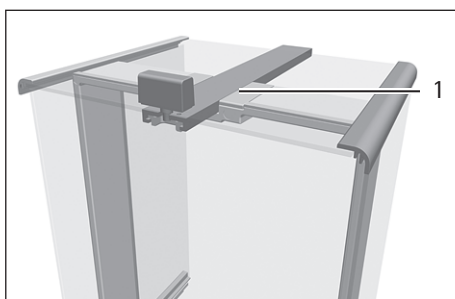




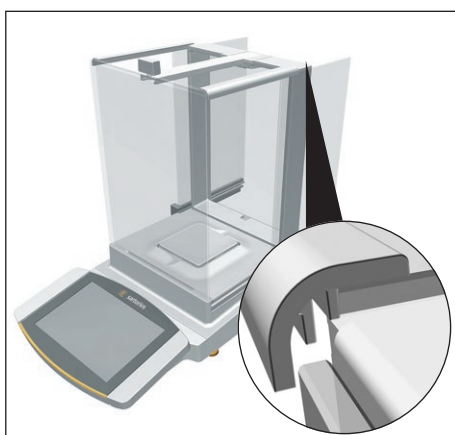
- ▶ If this relates to a device without a pan support:
  - ▶ Place the shield plate (2) into the weighing chamber.
  - ▶ Place the weighing pan (1) into the recess in the shield plate.

### 5.7.2 Installing the Analytical Draft Shield

#### Procedure



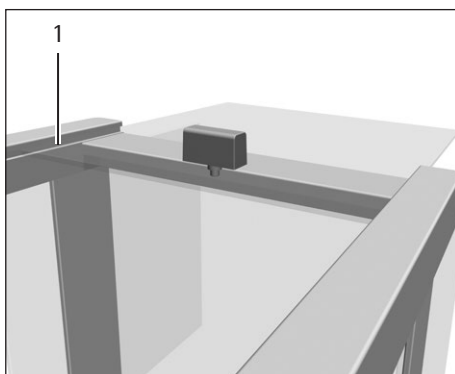
- ▶ Slide the upper panel into the guide rail (1).
- ▶ Gently push the upper panel down. This enables the upper panel to slide completely.
- ▶ Slide the upper panel completely into the guide rail.



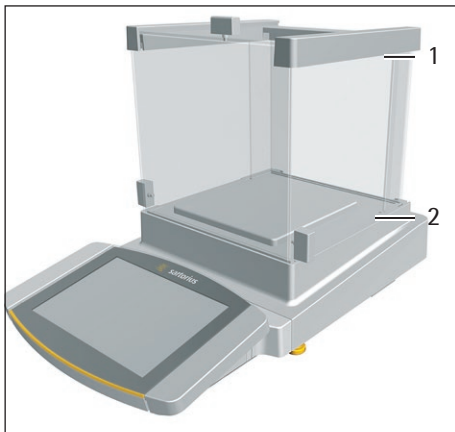
- ▶ Insert the side panels completely into the guide rails.

### 5.7.3 Installing the Flat Glass Draft Shield

#### Procedure



- ▶ Gently tilt the upper panel down. This enables the upper panel to slide completely into the slot (1).
- ▶ Slide the upper panel completely into the slot.



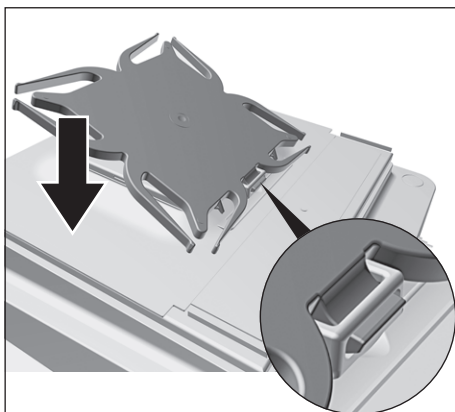
- ▶ Insert the side panel completely into the guide rails on the weighing module (2) and into the upper guide rails (1).

## 5.8 Installing a Device with a Frame Draft Shield

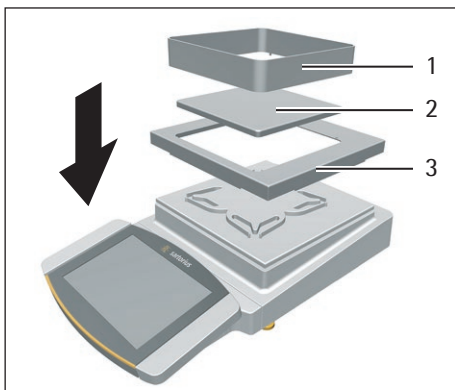
### 5.8.1 Positioning the Weighing Pan and Associated Components

#### Procedure

- ▶ Insert the pin on the pan support into the clip on the pan retainer.
- ▶ Push the pan support down onto the pan retainer until the pan support lies parallel to the device housing.



- ▶ Place the shield plate (3) on the device housing.
- ▶ Place the weighing pan (2) on the pan support.
- ▶ Place the frame draft shield (1) on the shield plate (3).



## 5.9 Connecting the Electronics Module (Only for Semi-microbalance)



### Procedure

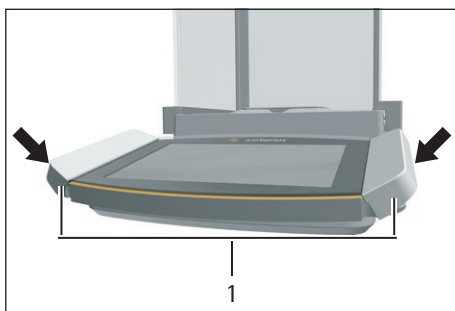
- ▶ Connect the connection cable to the electronics module's weighing module connection.
- ▶ Connect the other end of the connection cable to the weighing module's electronics module connection.
- ▶ To lock the connection cable: Lock the plugs of the connection cable onto both connections with two clicks in each case.
- ▶ **NOTICE** Damage to the device due to incorrect connection!
  - ▶ Check the correct fit of the plug contacts.
  - ▶ There should be **no** tension on the connection cable, e.g. do **not** install directly against a wall.

## 5.10 Installing Palm-operable Keys (Only for Devices with Motorized Draft Shield)

For models with a motorized draft shield, 2 palm-operable keys can be installed.

### Procedure

- ▶ Affix both palm-operable keys (1) onto the side of the display and control unit.

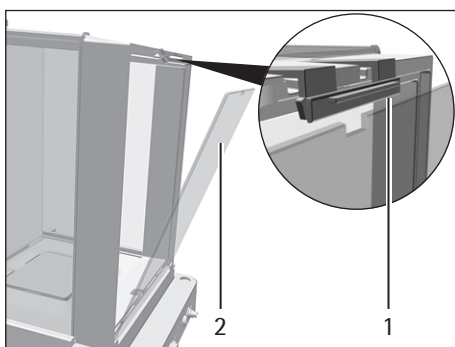


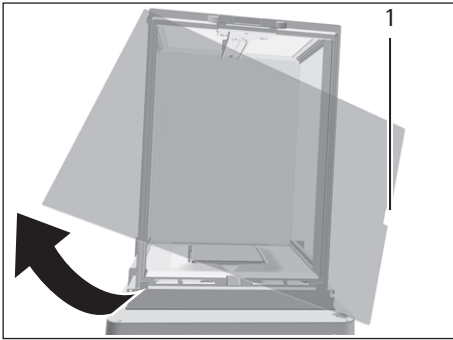
## 5.11 Setting Up the Cable Entry (Only for Devices with a Manual Analytical Draft Shield)

For models with a manual analytical draft shield, a cable can be fed into the weighing chamber, e.g. when using a temperature sensor.

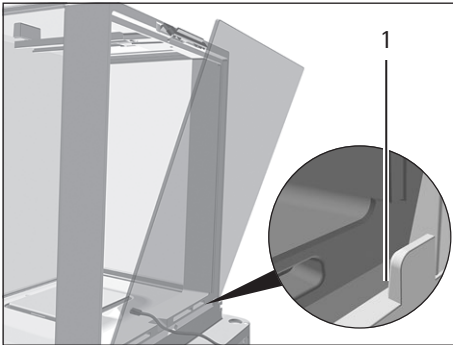
### Procedure

- ▶ Lift the locking tab (1) on the rear panel of the device.
- ▶ Lift the panel (2) out of the device.

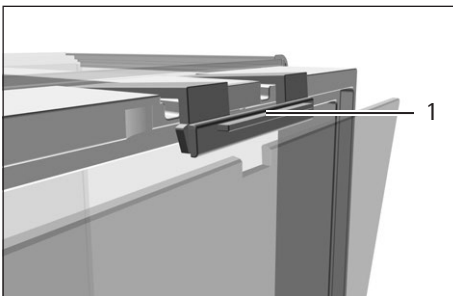




- ▶ Rotate the panel 180° so that the recess (1) in the panel points towards the weighing module.



- ▶ Feed the connection cable into the weighing chamber.
- ▶ Insert the panel into the guide groove (1).



- ▶ Lift the locking tab (1) on the rear panel of the device and push down the panel.
- ▶ Press the locking tab down and close it.

## 5.12 Acclimatization

When a cold device is brought into a warmer area: The temperature difference can lead to condensation of humidity in the device (moisture formation). Moisture in the device can lead to malfunctions.

- ▶ Allow the device to acclimatize for approx. 2 hours at the installation site. Ensure that the device is disconnected from the power supply during that time.

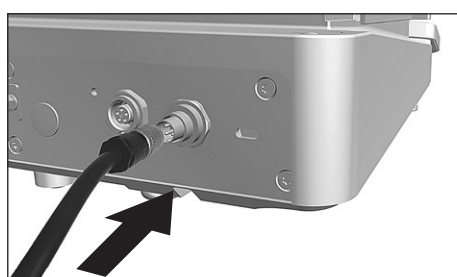
## 6 Getting Started

### Procedure

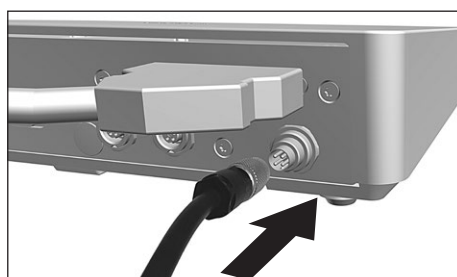
- ▶ **NOTICE** Improper connection may damage the device! If the device is connected using electronic components, e.g. printer, PC: The device must be disconnected from the power supply. Ensure that the device is disconnected from the power supply.
- ▶ Connect the device using electronic components (see electronic components instructions).

### 6.1 Installing the AC Adapter

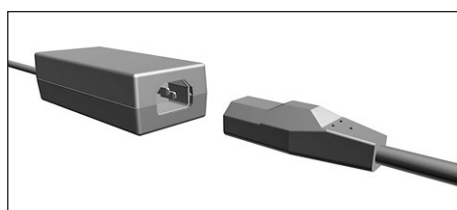
#### Procedure



- ▶ If this relates to a device without an electronics module: Plug the DC supply cable of the AC adapter into the device's "power supply" connection socket and tighten the threaded fitting.



- ▶ If this relates to a device with an electronics module: Plug the DC supply cable of the AC adapter into the electronics module's "power supply" connection socket and tighten the threaded fitting.



- ▶ Connect the power supply cable to the AC adapter connection.

### 6.2 Connecting the Power Supply

#### Procedure

- ▶ **⚠ WARNING** Severe injuries caused by using a defective power supply cable! Check the power supply cable for damage, e.g., cracks in the insulation.
  - ▶ If required: Contact Sartorius Service.
- ▶ Check whether the country-specific power plug matches the power connections at the installation site.
  - ▶ If required: Contact Sartorius Service.
- ▶ **NOTICE** Damage to the device due to excessive input voltage! Check whether the voltage specifications on the AC adapter match those of the power supply at the installation site.
  - ▶ If the input voltage is too high: Do **not** connect the device to the power supply.
  - ▶ Contact Sartorius Service.

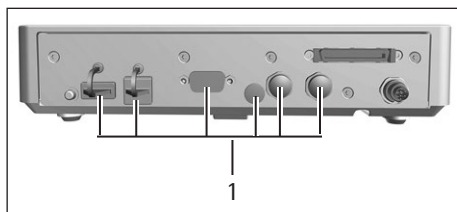
- ▶ Connect the mains plug of the power supply cable to the wall outlet at the installation site.
- ▷ The [Booting device...] display appears in the operating display.
- ▷ The [Starting system...] display appears in the operating display.
- ▷ The [Starting application...] display appears in the operating display.
- ▷ The [Loading] display appears in the operating display.
- ▷ The device performs an initial tare function.

### 6.3 Attaching the Protective Caps

If connections of the device are **not** being used during operation: The connections must be sealed with the protective caps supplied.

#### Procedure

- ▶ Check whether all unused connections have been sealed with a protective cap.
- ▶ Place the protective caps (1) for the electrical connections on the unused connections.
- ▶





## 7 System Settings

### 7.1 Performing System Settings

Default settings can be adjusted for the device and the applications in order to align with the ambient conditions and individual operating requirements.

The following settings are necessary to operate the device together with connected components:

- Set up the communication of the connected devices
- Set up additional components

The following settings are recommended to set up the device:

- Set the menu language
- Select date/time format
- Set date/time
- Assigning a Password
- Set the behavior of the isoCAL function
- Set the behavior of the motorized draft shield (only for devices with a motorized draft shield)

#### Procedure

- ▶ Open the main menu.
- ▶ Press the [Setup] button.
- ▶ To adjust settings: Open the desired submenu.
- ▶ Select the desired configuration value (configuration values, see Chapter "7.5 Parameter List", page 52).
- ▶ Exit the menu.

### 7.2 Switching Off the isoCAL Function

**M**

If the isoCAL function is switched off for a conformity-assessed device: The device can only be used for legal-for-trade applications in restricted temperature ranges (see Chapter "15.2.2 Ambient Temperature for the isoCAL Function", page 85). The isoCAL function **cannot** be switched off for all model versions.

#### Procedure

- ▶ In the "Settings/Device Settings/isoCAL" menu, for the "isoCAL function" parameter, select the "Off" configuration value.

### 7.3 Assigning a Password

#### Procedure

- ▶ Log into the device using the user profile; a password should be assigned.
- ▶ Open the "Settings/User Management" menu.
- ▶ Press the [Lock] button.
- ▷ The user password input field is displayed.
- ▶ Enter the desired password in the entry field and confirm with the [OK] button.

## 7.4 Setting Up Device for Network Printer

### 7.4.1 Selecting Configuration for Network Printing

Two configurations are possible:

- The device and the network printer communicate via an independent Wi-Fi network with standard Wi-Fi components. No security guidelines or network settings need to be taken into consideration here. This configuration is recommended if no other network functions are being used and simple printing is enough.
- The device communicates with a company network via Wi-Fi. The network printer is connected to the company network. All the device's network functions can be used in the entire company network. This configuration has 2 restrictions:
  - The company network must have a DHCP server.
  - Login via Wi-Fi only supports standard authentication methods and no special security guidelines. This connection **cannot** be used in company networks that require special security guidelines.

#### Procedure

- ▶ Check which configuration is suitable for network printing.

### 7.4.2 Setting Up Device for Network Printer via Independent Wi-Fi Network

#### Requirements

- The device administrator or service rights are activated via user management.
- The network printer is connected to a Wi-Fi router.

#### Procedure

- ▶ Check the suitability of the Wi-Fi router and Wi-Fi stick (for suitability, see Chapter "16.1.1 Printers and Communication", page 97).
- ▶ Insert the Wi-Fi stick into the device in a USB connection.
- ▶ Open the "Settings/Connections/Network/Wi-Fi" menu.
- ▶ Press the [Edit] button.
- ▶ Enter the service set identifier for the router under "Wi-Fi SSID". The service set identifier is specified on the back of the Wi-Fi router.
- ▶ Enter the router password under "Wi-Fi password". The password is specified on the back of the Wi-Fi router.
- ▶ Press the [Back] button.
- ▷ The status "Ready" appears in the "Wi-Fi" overview display within 10 seconds.

### Creating a Network Printer

#### Procedure

- ▶ Open the "Settings/Connections/Connectors/YDP30-NET" menu.
- ▶ Press the [New] button.
- ▶ Enter a name for the network printer under "Connector name", e.g. printer YDP30-NET.
- ▶ Enter the network printer IP address under "IP or host". The IP address of the computer is specified in the network printer "Network Settings" printout.
- ▶ Confirm the entries. In order to do so, press the [OK] button.

### 7.4.3 Setting Up Device for Network Printer via Company Network

#### Requirements

- The device administrator or service rights are activated via user management.
- The company network has a DHCP server.
- The network printer is connected to the company network.

#### Procedure

- ▶ Open the "Settings/Connections/Network/Wi-Fi" menu.
- ▶ Press the [Edit] button.
- ▶ Enter the service set identifier for the company network under "Wi-Fi SSID". The service set identifier is available from the company network administrator.
- ▶ Enter the company network password under "Wi-Fi password". The password is available from the company network administrator.
- ▶ Press the [Back] button.
- ▶ The status "Ready" appears in the "Wi-Fi" overview display within 10 seconds.

#### Creating a Network Printer

#### Procedure

- ▶ Open the "Settings/Connections/Connectors/YDP30-NET" menu.
- ▶ Press the [New] button.
- ▶ Enter a name for the network printer under "Connector name", e.g. printer YDP30-NET.
- ▶ Enter the network printer "HOST NAME" under "IP or host". The HOST NAME of the computer is specified in the network printer "Network Settings" printout.
- ▶ If connection with the host name is delayed: Enter the network printer IP address under "IP or host". The IP address of the computer is specified in the network printer "Network Settings" printout.
- ▶ Confirm the entries. In order to do so, press the [OK] button.
- ▶ If the IP address changes depending on the DHCP network settings: Enter the new IP address of the network printer again.

### 7.4.4 Configure Print Profile

#### Procedure

- ▶ Open the "Settings"/Weighing and Print Profile/YDP30" menu.
- ▶ Edit a pre-configured print profile or create a new print profile by pressing the [New] button, e.g. network printer YDP30-NET.
- ▶ Follow the wizard's instructions in the operating display for more settings.
- ▶ Confirm the entries. In order to do so, press the [OK] button.
- ▶ Add the created print profile to a task (see Chapter "8.6 Adding Weighing and Print Profiles to a Task", page 69).

## 7.5 Parameter List

### 7.5.1 Parameters in the "User Management" Menu

Parameter	Settings	Explanation
User name	User input	Assign a name for the user profile.
User description	User input	Enter a description for the user profile.
Role	Administrator	If the QAPP extension "User Management" has been activated: Activates the administrator functions.
	User*	If the QAPP extension "User Management" has been activated: Activates the user functions.
	Guest	If the QAPP extension "User Management" has been activated: Activates the guest functions.
Language		Set the language for the user profile.
User color profile	Sartorius Standard*	If the QAPP extension "Color Scheme" has been activated: Define a user color for the user profile.
Login method		Determine whether the user password is saved locally on the device or provided by an LDAP network server.
* Factory setting		

### 7.5.2 Parameters in the "Access Management" Menu

Parameter	Settings	Explanation
Role management	Administrator	If the QAPP extension "User Management" has been activated: Define the role names, description, and rights for the administrator.
	User	If the QAPP extension "User Management" has been activated: Define the role names, description, and rights for the user.
	Guest	If the QAPP extension "User Management" has been activated: Define the role names, description, and rights for the guest.
Rules	Autom. logout after inactivity	If the QAPP extension "User Management" has been activated: Switches the device into standby mode after the selected time.
	Max. failed attempts	If the QAPP extension "User Management" has been activated: Define the number of maximum failed attempts for password entry.
	After maximum failed entries ...	If the QAPP extension "User Management" has been activated: Activates the action after failed attempts at entering the password.
Local password rules		If the QAPP extension "User Management" has been activated: Define the permissible characters, length, and validity time for the password.
LDAP server configuration		If the QAPP extension "User Management" has been activated: Configure the data for device communication with an LDAP server.
* Factory setting		

### 7.5.3 Parameters in the “Timer-Controlled Actions” Menu

Parameter	Settings	Explanation
Start task	Execution date	Activates the date and time for starting the task.
	Repeat period	Repeats in minutes, hours, days, months, or years.
	Name	Saves a name for the timer-controlled action.
	Action execution	Sets the execution of the action to cancelable or <b>not</b> cancelable.
	Task to start	Activates the desired task.
Display message	Execution date	Activates the date and time for displaying the message.
	Repeat period	Repeats in minutes, hours, days, months, or years.
	Name	Saves a name for the message.
	Message title	Saves a message title.
	Message content	Saves message content.
Standby mode	Execution date	Activates the date and time for standby mode.
	Repeat period	Repeats in minutes, hours, days, months, or years.
	Name	Saves a name for standby mode.
	Action execution	Sets the execution of the action to cancelable or <b>not</b> cancelable.
Wake-up from standby	Execution date	Activates the date and time for execution.
	Repeat period	Repeats in minutes, hours, days, months, or years.
	Name	Saves a name for wake-up from standby.
Switch-off	Execution date	Activates the date and time for switch-off.
	Repeat period	Repeats in minutes, hours, days, months, or years.
	Name	Saves a name for switch-off.
	Action execution	Sets the execution of the action to cancelable or <b>not</b> cancelable.
Automatic backup	Execution date	Activates the date and time for automatic backup.
	Repeat period	Repeats in minutes, hours, days, months, or years.
	Name	Saves a name for automatic backup.
	Action execution	Sets the execution of the action to cancelable or <b>not</b> cancelable.
	Backup to connector	Activates the desired connector, e.g. a USB stick.
Export audit trail	Execution date	Activates the date and time for exporting the audit trail.
	Repeat period	Repeats in minutes, hours, days, months, or years.
	Name	Saves a name for the audit trail export.
	Action execution	Sets the execution of the action to cancelable or <b>not</b> cancelable.
	Export to connector	Activates the desired connector for the export, e.g. a USB stick.
	Modules for export	Activates the respective module to be saved, e.g. audit trail, menu settings, etc.

\* Factory setting

## 7.5.4 Parameters in the "Weighing and Print Profile/Weighing" Menu

Parameter	Settings	Explanation
Ambient conditions	Very stable	Sets the ambient conditions to "very stable": Activates a fast change in the weight values in the event of a load change with a high output rate.  Recommended for the following work environment: <ul style="list-style-type: none"> <li>– Very stable table near the wall</li> <li>– Closed and calm room</li> </ul>
	Stable	Sets the ambient conditions to "stable".  Recommended for the following work environment: <ul style="list-style-type: none"> <li>– Stable table</li> <li>– Slight movement in the room</li> <li>– Slight draft</li> </ul>
	Unstable*	Sets the ambient conditions to "unstable": Activates the delayed change in weight values with a reduced output rate.  Recommended for the following work environment: <ul style="list-style-type: none"> <li>– Simple office desk</li> <li>– Room with moving machinery or personnel</li> <li>– Slight air movement</li> </ul>
	Very unstable	Sets the ambient conditions to "very unstable": Activates a significantly delayed change in the weight values and long wait for stability with a further reduction in the output rate.  Recommended for the following work environment: <ul style="list-style-type: none"> <li>– Noticeable and slow floor vibrations</li> <li>– Noticeable building vibrations</li> <li>– Weighed goods moved</li> <li>– Very strong air movements</li> </ul>
Application filter	Weighing (final readout)*	Activates a filter that enables a fast change in the display for very fast load changes.  Display changes with minimal load changes (in the digit range) occur more slowly.
	Dosing (filling mode)	Activates a filter that enables a very fast change in the display with minimal load changes (e.g. when filling containers).
	Sensor mode (low filtering)	Activates a weak but fast filter that always behaves in the same way for load changes (e.g. when filling automated systems).
	Dynamic mode (without filtering)	Deactivates the active application filter.
Stability	Very high accuracy	Sets the stability to "very high accuracy".
	High accuracy	Sets the stability to "high accuracy".
	Medium accuracy*	Sets the stability to "medium accuracy".
	Fast	Sets the stability to "fast".
	Very fast	Sets the stability to "very fast".
	Very slow	Sets the stability to "very slow".

\*Factory setting for the "Standard Weighing" factory-set weighing profile

Parameter	Settings	Explanation
Stability delay	Very short	Sets the stability delay to "very short": The stability symbol is displayed after the stability criterion is reached.
	Short*	Sets the stability delay to "short": The stability symbol only appears after a short delay in order to provide a reliable result despite fluctuations.
	Medium	Sets the stability delay to "medium": The stability symbol only appears after a longer delay in order to provide a reliable result in case of higher fluctuations.
	Long	Sets the stability delay to "long": The stability symbol only appears after a long delay in order to balance out major instability.
Zeroing/taring	Without stability	Without stability: The function of the [Zero] or [Tare] key is executed immediately once the key is pressed.
	After stability*	After stability: The function of the [Zero] or [Tare] key is only executed after stability is achieved.
	At stability	At stability: The function of the [Zero] or [Tare] key is executed if stability exists when the key is pressed.
Automatic zeroing	On*	Activates automatic zeroing. The display is automatically set to zero in case of a deviation of 0 less than (X).
	Off	Deactivates automatic zeroing. Zeroing must be triggered with the [Zero] key.
Preset tare 1	On*	Activates the second tare memory (preset tare).
	Off	Deactivates the second tare memory (preset tare).
Available units		The availability of units may depend on national legislation and is therefore country-specific. Multiple selection is possible.
	mg – milligrams*	The device displays the weight in milligrams.
	g – grams*	The device displays the weight in grams.
	kg – kilograms	The device displays the weight in kilograms.
	ct – carats	The device displays the weight in carats.
	lb – pounds	The device displays the weight in pounds.
	oz – ounces	The device displays the weight in ounces.
	ozt – troy ounces	The device displays the weight in troy ounces.
	tlh – Hong Kong taels	The device displays the weight in taels (Hong Kong).
	tls = Singapore taels	The device displays the weight in taels (Singapore).
	tlt – Taiwanese taels	The device displays the weight in taels (Taiwan).
	tlc = Chinese taels	The device displays the weight in taels (China).
	GN – grain	The device displays the weight in grains.
	dwt = pennyweight	The device displays the weight in pennyweights.
	mom – mommes	The device displays the weight in mommes.
	tol – tolas	The device displays the weight in tolas.
bat – baht	The device displays the weight in baht.	
MS – mesghals	The device displays the weight in mesghals.	
N – newtons	The device displays the weight in newtons.	

\*Factory setting for the "Standard Weighing" factory-set weighing profile

Parameter	Settings	Explanation
Available resolutions	All digits on*	"All digits on": All decimal places are shown in the display. Not available on conformity-assessed devices.
	Last digit off at load change	"Reduced by 1 decimal place for load change": The last decimal place on the display is switched off until stability is achieved.
	Last digit scale interval 1	"Last digit scale interval 1": The last decimal place always shows the 1st division.
	Last digit off	"Last digit off": The last decimal place is switched off.
Profile name	User input	Saves a name assigned for the weighing profile, e.g. "My Weighing".
Profile description	User input	Saves a description for the weighing profile entered (optional).

\*Factory setting for the "Standard Weighing" factory-set weighing profile

### 7.5.5 Parameters in the "Weighing and Print Profiles/YDP30, PDF, CSV, PC Direct, or SBI Direct" menu

Parameter	Settings	Explanation
GLP printing	Off*	Deactivates the GLP printout.
	On	The GLP printout is always switched on. All printouts contain a GLP header and a GLP footer.
Date/time	Off*	Exports the measured value without the date and time.
	On	Exports the measured value with the date and time.
Block pressure (N,T,GC)	Off*	Exports the measured value without the gross, net, and tare value.
	On	Exports the measured value with the gross, net, and tare value.
Memory ID	Off*	Deactivates the ID marking for the data storage device.
	On	Activates the ID marking for the data storage device.
Connectors	YDP30	Displays the activated connector for printing.
	YDP30-NET	Displays the activated connector for printing.
	USB stick	Displays the connector for the PDF document or spreadsheet (CSV).
Data fields	Title	Spreadsheet format (CSV): Sends the output with title.
	Header	Spreadsheet format (CSV): Sends the output with header.
	Value	Spreadsheet format (CSV): Sends the output with the value.
	Unit	Spreadsheet format (CSV): Sends the output with the unit.
Decimal separator	Period	Spreadsheet format (CSV): Transmits the value with a decimal period to the PC program, e.g. 99.963 g.
	Comma*	Spreadsheet format (CSV): Transmits the value with a decimal comma to the PC program, e.g. 99,963 g.
Column separator	Tab*	Spreadsheet format (CSV): Activates the tab character between the individual data fields in the spreadsheet.
	Space	Spreadsheet format (CSV): Activates the space between the individual data fields in the spreadsheet.
Print mode	Report with print preview*	Displays the data to be printed in the operating display before printing.
	Immediate output without preview	Prints the determined data directly on the connected printer.
Paper	Continuous*	Continuously prints the individual printouts on the strip printer.

\* Factory setting



Parameter	Settings	Explanation
GLP header or GLP footer: Content 1 to 20	Not used	If the respective selected lines 1 to 20 are <b>not</b> used for this protocol.
	Horizontal line	Prints a horizontal line.
	Dashed line	Prints a dashed line.
	Blank line	Prints a blank line.
	User text 1	Prints an entered description, e.g. the name of the print profile.
	User text 2	Prints an additional entered description.
	Manufacturer	Prints the device manufacturer, e.g. "Sartorius"
	Model name	Prints the device model name.
	Serial number	Prints the device serial number.
	Package version	Prints the device package version.
	Task name	Prints the respective task name.
	QAPP version	Prints the QAPP version of the application.
	Last calibration	Prints the date/time of the last calibration/adjustment.
	Device ID 1	Prints the entered device ID 1.
	Device ID 2	Prints the entered device ID 2.
	Date/time	Prints the current date and time.
	Time zone	Prints the name of the selected time zone.
	User name	Prints the name of the user.
	Signature	Prints a line for signature.
	minUSP	Prints the minimum weight according to USP.
	Air temperature, internal module	Prints the current determined air temperature.
	Air humidity, internal module	Prints the current determined air humidity.
	Air pressure, internal module	Prints the current determined air pressure.
	Air temperature, external module	Prints the current determined air temperature of a connected climate module.
	Air humidity, external module	Prints the current determined air humidity of a connected climate module.
	Air pressure, external module	Prints the current determined air pressure of a connected climate module.
	User text 1	User input
User text 2	User input	Saves an additional description.
Profile name	Printer YDP30 (only weight values)	Saves a name assigned for the print profile, e.g. "Printer YDP30".
Profile description	User input	Saves an entered description for the print profile.

\* Factory setting

### 7.5.6 Parameters in the "Connections/Connectors" Menu

Parameter	Settings	Explanation
USB	Connector name	Saves the entered name for a USB stick.
	Destination directory	Saves the name of a destination directory.
YDP30-NET	Connector name	Saves the entered name for a USB stick.
	IP or host	Enter the IP or host address for the printer.
	Port	Define the port for the printer.
FTP or FTPS	Connector name	If the QAPP extension has been activated: Saves the entered name of an FTP or FTPS server.
	IP address	If the QAPP extension has been activated: Enter the IP address for the device.
	Port	If the QAPP extension has been activated: Define the port for the device.
	Sub-directory	If the QAPP extension has been activated: Saves the name of a sub-directory.
	User	If the QAPP extension has been activated: Saves the name of a user.
	Password	If the QAPP extension has been activated: Saves a password for FTP or FTPS access.
Network printer	Connector name	Saves the entered name for a USB stick.
	IP or host	Enter the IP or host address for the printer.
	Protocol	Define the protocol for the printer: Socket, IPP, HTTP or LDP
SMB	Connector name	If the QAPP extension "Windows File Server" has been activated: Saves the entered name of a Windows file server.
	//Host/Share	If the QAPP extension "Windows File Server" has been activated: Enter the host and share names of the Windows file server.
	Sub-directory	If the QAPP extension "Windows File Server" has been activated: Saves the name of a sub-directory.
	User	If the QAPP extension "Windows File Server" has been activated: Saves the name of a user.
	Password	If the QAPP extension "Windows File Server" has been activated: Saves a password for access to the Windows file server.
* Factory setting		

### 7.5.7 Parameters in the "Connections/Network" Menu

Parameter	Settings	Explanation
General settings	Host name	Saves the device host name.
Ethernet	IPv4 method	Sets the method to DHCP, Manual or Off.
	IPv6 method	Sets the method to Auto, Manual or Off.
	DNS 1	Saves the value for DNS 1.
	DNS 2	Saves the value for DNS 2.
Wi-Fi	Wi-Fi SSID	Saves the name of the WI-FI SSID.
	Wi-Fi password	Saves a password for Wi-Fi access.
	IPv4 method	Sets the method to DHCP, Manual or Off.
	IPv6 method	Sets the method to Auto, Manual or Off.
	DNS 1	Saves the value for DNS 1.
	DNS 2	Saves the value for DNS 2.
* Factory setting		

### 7.5.8 Parameters in the "Connections/Website/Web Services" Menu

Parameter	Settings	Explanation
Website access	Deactivated	Deactivates the display of the website for the device.
	On, without authentication*	Sets the display options of the website for the device to "without authentication".
Remote access	Display only*	Permits remote access in view mode via a browser.
	View and remote control	Permits remote access via a browser.
Web service password	User input	Saves a password for web service access.

\* Factory setting

### 7.5.9 Parameters in the "Connections/Interfaces/Serial Communication via Network" (Ethernet) Menu

Parameter	Settings	Explanation
Protocol	Off	Deactivates the serial transmission via Ethernet.
	SBI*	Enables SBI communication. The data is output to a PC or control unit. Enables the use of ESC commands from a PC to control the basic balance functions with ASCII protocol.
	SICS	Enables SICS communication. The data is output to a PC or control unit. Enables the use of commands from a PC to control the basic balance functions with SICS protocol.
	xBPI	Extended range of commands to control numerous balance functions with binary protocol for direct communication with the weighing module.
Log communication	On	Activates the automatic data recording for this interface.
	Off*	Deactivates the automatic data recording for this interface.
Port	User input	Saves the entered port number for the Ethernet interface.

\* Factory setting

### 7.5.10 Parameters in the "Connections/Interfaces/COM-RS232 Interface" Menu

Parameter	Settings	Explanation
Protocol	Off*	Deactivates the RS232 connection.
	SBI	Enables SBI communication. The data is output to a PC or control unit. Enables the use of ESC commands from a PC to control the basic balance functions with ASCII protocol.
	xBPI	Extended range of commands to control numerous balance functions with binary protocol for direct communication with the weighing module.
Log communication	Off*	Deactivates the automatic data recording for this interface.
	On	Activates the automatic data recording for this interface.
Baud rate	600 baud	Sets the baud rate to 600 baud.
	1200 baud	Sets the baud rate to 1200 baud.
	2400 baud	Sets the baud rate to 2400 baud.
	4800 baud	Sets the baud rate to 4800 baud.
	9600 baud*	Sets the baud rate to 9600 baud.
	19200 baud	Sets the baud rate to 19200 baud.
	38400 baud	Sets the baud rate to 38400 baud.
	57600 baud	Sets the baud rate to 57600 baud.
115200 baud	Sets the baud rate to 115200 baud.	

Parameter	Settings	Explanation
Data bits	7 data bits	Sets the number of data bits to 7.
	8 data bits*	Sets the number of data bits to 8.
Parity	Odd*	Applies an odd parity.
	Even	Applies an even parity.
	None	Does <b>not</b> apply a parity.
Stopbits	1 stop bit*	Sets the number of stop bits to 1.
	2 stop bit	Sets the number of stop bits to 2.
Handshake	Software	Sets the handshake protocol to software handshake.
	Hardware*	Sets the handshake protocol to hardware handshake.
	None	Does <b>not</b> set a handshake protocol.

\* Factory setting

#### 7.5.11 Parameters in the "Connections/Interfaces/USB-B Interface" Menu

Parameter	Settings	Explanation
Protocol	Off*	Deactivates the USB-B connection.
	SBI	Enables SBI communication. The data is output to a PC or control unit. Enables the use of ESC commands from a PC to control the basic balance functions with ASCII protocol.
	SICS	Enables SICS communication. The data is output to a PC or control unit. Enables the use of commands from a PC to control the basic balance functions with SICS protocol.
	xBPI	Extended range of commands to control numerous balance functions with binary protocol for direct communication with the weighing module.
	PC direct	Enables data output to a spreadsheet program via a direct PC connection.
Log communication	Off*	Deactivates the automatic data recording for this interface.
	On	Activates the automatic data recording for this interface.

\* Factory setting

### 7.5.12 Parameters in the “Connections/SBI Protocol” Menu

Parameter	Settings	Explanation
Format	Value without header	The data output only exports the measured value without ID code.
	Value (with header)*	The data output exports the measured value with ID codes.
	Date & time, value (two lines)	The data output exports the measured value, date, and time.
Output	Without stability*	The data is output without the weight value being stable.
	With stability	The data is output only when the weight value is stable.
Automatic data output	Off*	Deactivates the automatic data output. The data output must be triggered by means of an SBI command with “ESC P”.
	Each weight value	Starts the automatic data output with each value according to the display result.
	1 second	Starts the automatic data output every second.
	2 seconds	Starts the automatic data output every 2 seconds.
	5 seconds	Starts the automatic data output every 5 seconds.
	10 seconds	Starts the automatic data output every 10 seconds.
	30 seconds	Starts the automatic data output every 30 seconds.
	60 seconds	Starts the automatic data output every 60 seconds.

\* Factory setting

### 7.5.13 Parameters in the “Connections/Climate Module” Menu

Parameter	Settings	Explanation
Climate modules		

### 7.5.14 Parameters in the “Connections/Connected Devices/Motion Sensor” Menu (Only for Connected Motion Sensors)

Parameter	Settings	Explanation
Number of gestures	2 gestures (left, right)*	Activates the control of functions with 2 gestures. Gestures: left, right.
	4 gestures (left, right, up, down)	Activates the control of functions with 4 gestures. Gestures: left, right, down, up.
	Any gesture	Activates the control of functions with any gesture.
Gesture to the left Gesture to the right	Left/right key	The gesture executes the left or right palm-operated key function. Only for device with motorized draft shield.
	Open up/open left/ open right	The gesture opens the left draft shield panel, the right draft shield panel or the upper draft shield panel. Only for device with motorized draft shield.
Gesture upwards Gesture downwards	Close all	The gesture closes the entire draft shield. Only for device with motorized draft shield.
	Ionizer key	The gesture starts an ionization process or cancels an ionization process. Only for device with ionizer.
	Start/cancel taring	The gesture starts a taring process or cancels a taring process.
	Start/cancel zeroing	The gesture starts the zeroing process or cancels the zeroing process.

\* Factory setting

### 7.5.15 Parameters in the "Device Settings/Date and Time" Menu

Parameter	Settings	Explanation
NTP configuration	NTP operating status	Activates or deactivates the time synchronization with the NTP server.
	Server IP	Saves the entered server ID for the NTP server.
Set the date and time	Date format	Sets the date display format to DD/MM/YYYY, MM/DD/YYYY, DD.MM.YYYY, YYYY-MM-DD (ISO)*, YYYY:MM:DD, DD-MMM-YYYY or MMM-DD-YYYY.
	Set date	Saves the entered date.
	Time format	Sets the time display format to HH.MM.SS, HH:MM:SS (ISO)* or HH:MM:SS am/pm.
	Set time	Saves the entered time.
	Time zone	Saves the selected time zone.

\* Factory setting

### 7.5.16 Parameters in the "Device Settings/Safe Weighing" Menu

Parameter	Settings	Explanation
isoCAL execution mode	Off	Deactivates the isoCAL function. This setting change is <b>not</b> available for all models.
	Show status field, manual start	If the device must be calibrated: The [isoCAL] button is displayed as the predominant button in the operating display. The isoCAL function must be manually triggered using the [isoCAL] button.
	On, automatic execution*	Activates the isoCAL function. The device is automatically adjusted as soon as a trigger starts the isoCAL function.
	On, automatic execution with linearization (only if possible)	Activates the isoCAL and linearization function. The device is automatically adjusted and then linearized as soon as a trigger starts the isoCAL function.
Safety level	Off	If the isoCAL function must be executed: The device displays a status message.
	Warning*	If the isoCAL function must be executed: The device displays a warning message. Some device functions are limited until isoCAL has been executed: The displayed weight value is marked as invalid; printed data are marked with [!].
	Strict	If the isoCAL function must be executed: The device displays an error message. Some device functions are limited until isoCAL has been executed: The displayed weight value is marked as invalid; the starting of functions and saving of data in tasks is disabled; data output is deactivated.

\* Factory setting

### 7.5.17 Parameters in the "Device Settings/minUSP" Menu

Parameter	Settings	Explanation
minUSP function	Off*	If this extension has been activated in the QAPP center: Deactivates minimum weight.
	On	If this extension has been activated in the QAPP center: Activates the minimum weight.

\* Factory setting

Parameter	Settings	Explanation
Starting point of operating range	User input	If this extension has been activated in the QAPP center: Define the starting point value.
Mark weight values < minUSP as invalid	Off*	If this extension has been activated in the QAPP center: Deactivates the identification of weight values that are less than the minimum weight.
	On	If this extension has been activated in the QAPP center: Activates the identification of weight values that are less than the minimum weight.

\* Factory setting

#### 7.5.18 Parameters in the "Device Settings/Device ID" Menu

Parameter	Settings	Explanation
Device ID 1	User input	Saves the entered device ID.
Device ID 2	User input	Saves the entered device ID.

#### 7.5.19 Parameters in the "Device Settings/Draft Shield" Menu (Only for Devices with a Motorized Draft Shield)

Parameter	Settings	Explanation
Left/right palm key	Off, no function	Deactivates the function for both palm-operated keys.
	Same function	Assigns the same function to the palm-operated keys. The two palm-operated keys <b>cannot</b> be assigned functions independently of each other.
	Separate function*	Assigns separate functions to the palm-operated keys. The two palm-operated keys can be assigned functions independently of each other.

\* Factory setting

#### 7.5.20 Parameters in the "Device Settings/Ionizer" Menu (Only for Devices with an Ionizer)

Parameter	Settings	Explanation
Activation ionizer	Off, no function*	Deactivates the ionizer.
	Activate manually by pressing key	The [Ionizer] button starts an ionization process.
	Automatically on, when draft shield closes	If the draft shield is closed: The ionization process starts automatically.
Intensity	Weak	Sets the intensity of the ionization process to "weak".
	Medium*	Sets the intensity of the ionization process to "medium".
	Strong	Sets the intensity of the ionization process to "strong".
Start-up duration	User input, 1–60 seconds	Sets the duration of the ionization process (factory setting: 8 seconds).

\* Factory setting

### 7.5.21 Parameters in the "Device Settings/Electronic Signature" Menu

Parameter	Settings	Explanation
Sign report	Off*	If the QAPP extension has been activated: Deactivates electronic signature.
	On	If the QAPP extension has been activated: Activates electronic signature.

\* Factory setting

### 7.5.22 Parameters in the "Device Settings/Start-up Behavior" Menu

Parameter	Settings	Explanation
Initial zeroing/taring	Off	Deactivates automatic zeroing and taring when starting the device.
	On*	Activates automatic zeroing and taring when starting the device.
Automatic login	Off	Deactivates "Automatic login". <b>No</b> user is logged in automatically when starting the device.
	Administrator*	Activates "Automatic login". The administrator is logged in automatically when starting the device.
	Operator	Activates "Automatic login". The selected user is logged in automatically when starting the device.
Automatic start of last task	Off*	<b>No</b> task is started automatically after device login.
	On	After logging-in on the device, the task being performed by the last user to be logged in starts automatically.

\* Factory setting

### 7.5.23 Parameters in the "Device Settings/Display Properties" Menu

Parameter	Settings	Explanation
Display brightness	Bright	Sets the lighting intensity on the operating display to "bright".
	Medium	Sets the lighting intensity on the operating display to "medium".
	ECO mode*	Activates eco mode. For longer periods of downtime, the operating display darkens automatically.
On/off switch	Standby mode*	The [Standby] button switches the device into standby mode. The device can be reactivated by pressing the [Standby] button.
	Off	The [Standby] button switches the device off. The device must be reactivated by pressing the ON key.
Color scheme	Sartorius Standard*	If the QAPP extension has been activated: Selects the color scheme for the "Sartorius Standard" operating display. Additional color schemes can be unlocked via the QAPP center.

\* Factory setting



#### 7.5.24 Parameters in the “Device Settings/Sound (Loudspeaker)” Menu

Parameter	Settings	Explanation
Touch sounds	Activated	Deactivates the acoustic signal for touch and keypad operation.
	Deactivated*	Activates the acoustic signal for touch and keypad operation.
Message sounds	Activated	Deactivates the acoustic signal for messages.
	Deactivated*	Activates the acoustic signal for messages.
Sound for end-of-action	Activated	Deactivates the acoustic signal for the completion of an action.
	Deactivated*	Activates the acoustic signal for the completion of an action.

\* Factory setting

#### 7.5.25 Parameters in the “Device Maintenance” Menu

Parameter	Settings	Explanation
Update firmware		Starts a firmware update. <b>Not</b> for conformity-assessed devices.
Update QAPP Center	USB stick	Updates the QAPP center using the connected USB stick.
Update customized QAPP	USB stick	Updates the customized QAPP using the connected USB stick.
Backup device settings	USB stick	Saves the device data on a connected USB stick.
Restore device settings	USB stick	Loads the device data from a connected USB stick.
Export device data	Role management	Saves device role management for an administrator, user, or guest on a connected USB stick.
	User management	Saves device user management for an administrator, user, or guest on a connected USB stick.
Import device data	USB stick	Loads the device data from a connected USB stick.
Restore factory settings		Resets the device to factory settings and deletes all configurations. The audit trail and data memory will be retained.
Create diagnostic file		Saves information about device configuration and operation on a connected USB stick.

## 8 Operation

### 8.1 Switching the Device On and Off

The device only delivers accurate values if it has reached the necessary operating temperature. The warm-up time after switching the device on must therefore be complied with.

If the device is being switched on for the first time or if the device is switched on after being reset to factory settings: The Setup Wizard opens. All steps in the Setup Wizard must be completed.

#### Requirements

The device is connected to the power supply.

#### Procedure

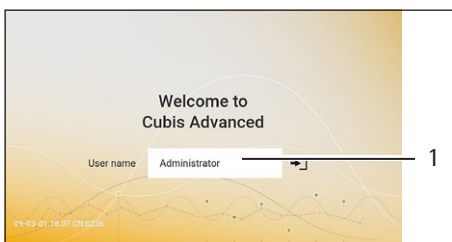
- ▶ If the device does **not** switch on automatically after it is connected to the power supply: Press the ON key on the weighing module.
- ▶ **NOTICE** Pointed or sharp-edged objects may damage the operating display! Touching the operating display with objects, such as pens, may damage the touchscreen surface of the operating display. Only touch the operating display with your fingertips.
- ▶ If the Setup Wizard is shown: Follow the instructions in the Setup Wizard in the operating display.
- ▶ If the login display is displayed: Log into the device using a user profile.
- ▷ If the device is switched on after the Setup Wizard is complete and **no** passwords have been assigned for the user profiles: The user profile for the last user to be logged in is loaded.
- ▶ To allow the device to reach the necessary operating temperature to accurately determine the weight: Comply with the warm-up time of 30 minutes after switching the device on.
- ▷ If this relates to a conformity-assessed device: The weight value is marked as **invalid** during the warm-up period.
- ▶ **NOTICE** Damage to the device when disconnecting the device from the weighing module or electronics module The device must **not** be disconnected from the weighing module or electronics module during operation.
- ▶ To switch the device off: Disconnect the device from the power supply.

**M**

### 8.2 Logging Users In and Out

#### Procedure

- ▶ If the name of the desired user profile is displayed in the entry field (1) of the login display: Press the [Login] button.
- ▶ If the name of the desired user profile is **not** displayed in the entry field of the login display:
  - ▶ Tap on the entry field in the login display.
  - ▷ The user selection opens.
  - ▶ Press the name of the desired user profile.
  - ▶ If a password has been assigned for the desired user: Enter the password in the entry field and press the [OK] button.
  - ▷ The user profile opens and the main menu or the last task being performed by the active user is displayed.
- ▶ To log out the active user profile from the device: Press the [Log-out] button.



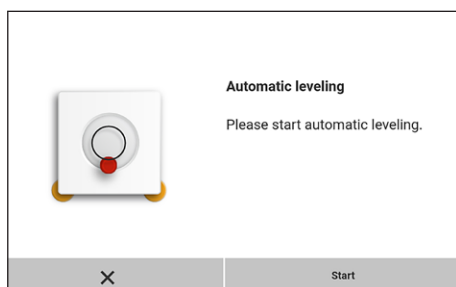
## 8.3 Leveling the Device

### 8.3.1 Level Device with Motorized Leveling Feet

Leveling compensates any inclines at the device's installation site. If leveling is necessary: The [Leveling] button appears in the weighing display and a message appears in the Status Center.

#### Procedure

- ▶ If the weighing display is displayed: Press the [Leveling] button.
- ▶ If the Status Center is displayed: Press the [Level] button.
- ▷ The Leveling Wizard opens.
- ▶ Follow the wizard's instructions.



## 8.4 Opening and Closing the Motorized Draft Shield (Only for Devices with a Motorized Draft Shield)

### 8.4.1 Opening Draft Shield by Pressing the Palm-operated Key

Pressing the palm-operated key enables the motorized side and upper draft shield panels to be opened and closed. A palm-operated key can be used to control up to three doors simultaneously.

#### Procedure

- ▶ Switch on the device.
- ▶ If the draft shield is open: Close all draft shield doors.
- ▶ Press a palm-operated key: The draft shield opens.

### 8.4.2 Defining the Opening Width

It can be determined how far the draft shield should open when pressing the palm-operated key. The opening width of the draft shield can be determined separately for each palm-operated key.

#### Procedure

- ▶ To determine how far a door is opened by pressing the desired palm-operated key: Manually push the door open to the desired position.
- ▶ If several doors are to be controlled by the desired palm-operated key simultaneously: Manually push the desired doors open to the desired position.
- ▶ Press the desired palm-operated key.
- ▷ The opened door is closed.
- ▷ If several doors are open: All open doors are closed.
- ▷ When the desired palm-operated key is next pressed, the door opens or closes.

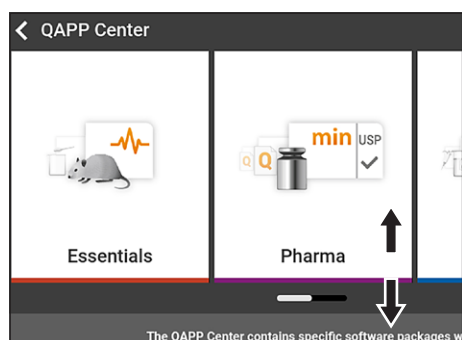
## 8.5 Activating Applications and Adding a Task

### 8.5.1 Activating Applications

All applications from the QAPP package "Essentials" are activated for the device at the factory. Additional applications may be activated in the QAPP center.

#### Procedure

- ▶ Open Task Management.
- ▶ Press the [QAPP center] button.
- ▷ An overview of all available QAPP packages is displayed.
- ▶ Select the desired software application package e.g. pharmaceuticals.
- ▶ To scroll through the contents of a displayed QAPP package: Swipe the contents of the QAPP package upwards or downwards.



- ▶ Select the desired QAPP package.
- ▷ A list of all the applications contained in the QAPP package is displayed.
- ▶ If the selected QAPP package is to be approved with all the applications it contains or all QAPP packages are to be approved:
  - ▶ Press the [License] button.
  - ▷ The input field for the license key appears.
  - ▶ If an additional cost is associated with the QAPP package: Enter the license key in the entry field and press the [OK] button.
  - ▶ If no additional cost is associated with the QAPP package: Press the [OK] button.
- ▶ If an individual application from the displayed QAPP package is to be activated:
  - ▶ Press the desired application.
  - ▷ A display opens containing details about the selected application.
  - ▶ Press the [License] button.
  - ▷ The input field for the license key appears.
  - ▶ If an additional cost is associated with the application: Enter the license key in the entry field and press the [OK] button.
  - ▶ If no additional cost is associated with the application: Press the [OK] button.

### 8.5.2 Adding an Application to a Task

Applications must be added to a task so that they can run.

#### Procedure

- ▶ Open Task Management.
- ▶ Press the [New] button.
- ▷ A list of all activated applications is displayed.
- ▶ To select an application: Press the desired application.
- ▷ The wizard for creating a new task starts.
- ▶ Follow the wizard's instructions in the operating display.

## 8.6 Adding Weighing and Print Profiles to a Task

To be able to use a weighing or print profile: Add a weighing or print profile to a task. Weighing and print profiles can be configured in the Settings menu.

### Procedure

- ▶ Open Task Management.
- ▶ Create or edit a task. In order to do so, start the wizard to create or edit a task and follow the wizard's instructions in the operating display.

## 8.7 Preparing Weighings

The device must be prepared before every weighing.

### Procedure

- ▶ Level the device.
- ▶ Zero the device. In order to do so, press the [Zero] button.
- ▶ If the device **cannot** be zeroed: Remove the sample to be weighed and re-zero the device.
- ▶ Calibrate the device.

## 8.8 Weighing

---

### NOTICE

#### **Chemicals may damage the device or accessories!**

Chemicals can attack the device or the connected accessories internally and externally. This may damage the device and accessories.

- ▶ Use appropriate containers when weighing chemicals.
- 

### Procedure

- ▶ Start a task with weighing function.
- ▶ Zero the device. In order to do so, press the [Zero] button.
- ▶ If below-balance weighing is being carried out: Suspend the sample on the hook for below-balance weighing, e.g. with a wire.
- ▶ If a container is being used for the sample:
  - ▶ Place the container on the weighing pan.
  - ▶ Tare the device. In order to do so, press the [Tare] button.
  - ▶ Place the sample in the container or fill the container.
- ▶ If **no** container is used for the sample and **no** below-balance weighing is being carried out: Place the sample on the weighing pan.
- ▶ Once the weight value is displayed in black and the weighing unit is displayed: Read off the measured value.

## 8.9 Overview of Calibration, Adjustment, and Linearization

During calibration, a calibration weight is used to determine how much the displayed value deviates from the actual value. This deviation is compared against a preset target value. The subsequent adjustment eliminates this deviation. During linearization, the deviation of the values from the ideal characteristic curve is corrected.

Calibration and adjustment must be performed regularly:

- Daily, every time the device is switched on
- After every leveling
- After changing the ambient conditions (temperature, humidity, or air pressure)
- After setting the device up at a new installation site

Calibration and adjustment may be performed in different ways:

- Adjusting with the isoCAL Function
- Internal or external calibration or adjustment
- For semi-microbalances and analytical balances: Internal linearization



Only internal adjustment is possible for all conformity-assessed devices in legal metrology.

## 8.10 Adjusting with the isoCAL Function

The device can be automatically internally calibrated and adjusted using the isoCAL function.

### Requirements

- The device is **not** located in the menu.
- Alphanumeric inputs are **not** active.
- The load on the weighing pan remains unchanged for 2 minutes.
- The load on the weighing pan amounts to no more than 2% of the maximum load.
- The device does **not** register an input for 2 minutes.

If all requirements for starting the isoCAL function are met and one of the following conditions occurs: The isoCAL function is automatically triggered.

Possible conditions are:

- The ambient temperature has changed since the last adjustment.
- The interval time was exceeded (interval time, see Chapter "15.9 isoCAL Function", page 94).
- The device has been leveled.
- The device has been disconnected from the power supply since the last adjustment (only for conformity-assessed models).

### Procedure

- ▶ If the isoCAL automatic start function is set and the [isoCAL] button is displayed as the predominant button in the operating display:
  - ▶ Wait until the isoCAL function starts automatically.
  - ▷ In the operating display, a time display counts down to 0.
  - ▷ If **no** load change or **no** operation takes place on the device before the expiration of the time display: The isoCAL function starts.

- ▶ If the isoCAL manual start function is set and the [isoCAL] button is displayed as the predominant button in the operating display:
  - ▶ Press the [isoCAL] button.
  - ▶ If information is displayed stating that the weighing pan is loaded: Unload the weighing pan.
  - ▷ The isoCAL function starts.
- ▷ If the isoCAL function is complete: The device confirms the completion of the calibration/adjustment process with an acoustic signal, and the calibration report is displayed.
- ▶ To close the calibration report and return to the previous display: Press the [OK] button.

## 8.11 Internally Calibrating and Adjusting the Device

### Requirements

The weighing pan is unloaded.

### Procedure

- ▶ Open the main menu.
- ▶ Select the "Internal Adjustment" task.
- ▷ The internal calibration/adjustment function is executed.
- ▷ If automatic leveling is set for a model with motorized adjusting feet: The device levels itself automatically.
- ▷ If the calibration/adjustment function is complete: The device confirms the completion of the calibration/adjustment process with an acoustic signal, and the calibration report is displayed.
- ▶ To close the calibration report and return to the main menu: Press the [OK] button.

## 8.12 Weighing and Printing with ID Marking

### 8.12.1 Saving Values for Printouts

Every lot and every sample can be assigned an ID number. The ID numbers are saved in the print memory and exported during the printing process.

### Requirements

The prompt for the lot IDs and sample IDs is activated for the "Standard weighing" task.

### Procedure

- ▶ Open the main menu.
- ▶ Start the "Weighing" task: To do so, tap on the task.
- ▷ The input field for the lot ID is displayed.
- ▶ If a barcode scanner is connected to the device: Enter the lot ID in the entry field or scan using the barcode scanner.
- ▶ If **no** barcode scanner is connected to the device: Type the lot ID into the entry field.
- ▶ Press the [OK] button.
- ▷ The weighing display is displayed.
- ▶ Zero the device. In order to do so, press the [Zero] button.
- ▶ Place the sample on the weighing pan.
- ▶ Press the [Confirm] button.
- ▷ The input field for the sample ID is displayed.

- ▶ Type the sample ID into the entry field.
- ▶ Press the [OK] button.
- ▷ The [Print memory] button appears in the operating display.
- ▷ The weight value and entered IDs are saved.
- ▶ If additional values are to be saved:
  - ▶ Remove the sample being weighed.
  - ▶ Place the next sample on the weighing pan and press the [Confirm] button.
  - ▶ Type the sample ID into the entry field.
  - ▶ Press the [OK] button.

### 8.12.2 Marking Saved Values as Invalid

#### Procedure

- ▶ Press the [Print Memory] button.
- ▷ The print memory opens and a list of all saved values is displayed.
- ▶ Press the desired items.
- ▷ An overview of all data to be printed is displayed for the selected items.
- ▶ Press the [Yes] button.
- ▶ If a reason for the invalidity of the value needs to be displayed on the printout:  
Enter a reason in the entry field and press the [OK] button.
- ▶ If **no** reason for the invalidity of the value needs to be displayed on the printout:  
Press the [No] button.

### 8.12.3 Marking Saved Values as Valid

#### Procedure

- ▶ Press the [Print Memory] button.
- ▷ The print memory opens and a list of all saved values is displayed.
- ▶ Press the items which are desired to be marked as invalid.
- ▷ An overview of all data to be printed is displayed for the selected items.
- ▶ Press the [Yes] button.

### 8.12.4 Printing Saved Values

#### Procedure

- ▶ Press the [Print Memory] button.
- ▷ The print memory opens and a list of all saved values is displayed.
- ▶ To start the print process using the print profile embedded in the current task:  
Press the [Print] button.
- ▷ A PDF file is produced and sent to the printer defined in the print profile. For two print profiles with different connectors: The print processes will be started in succession.



### 8.12.5 Exiting the Task

#### Procedure

- ▶ Press the [Exit] or [Menu] button.
- ▷ If additional values are to be saved in the print memory:
  - ▷ A dialog for prematurely ending the task appears.
    - ▶ To return to the weighing display and print the saved values: Tap on the [Yes] button and print the saved values.
    - ▶ To exit the task and delete the saved values from the print memory: Press the [No] button.
- ▷ The task ends and the main menu is displayed.

### 8.13 Viewing the Data Storage Device

The data storage device stores weight values with date, time, and process number. The content of the data storage device can be searched and sorted using a filter. The data storage device is designed for approximately 150,000 data sets. The operator alone is responsible for making sure that there is sufficient storage capacity and the saved weighed values are present.

**M**

The data storage device is verifiable. The proper functioning of the data storage device must be ensured for verification by saving and checking some values.

#### Procedure

- ▶ Open the "Settings/Device Settings/Device Information" menu.
- ▷ Press the "View data storage device" menu entry. A list of all the values saved in the data storage device is displayed.
- ▶ If only the values for a desired date need to be displayed:
  - ▶ Press the [Filter] button.
  - ▶ Type the desired date into the entry field.
  - ▶ To filter the list with the date entered: Press the [OK] button.
- ▶ If the list needs to be searched for a particular ID:
  - ▶ Press the [Search] button.
  - ▶ Type the desired ID into the entry field.
  - ▶ To start the search with the entered ID: Press the [OK] button.

### 8.14 Turning the Ionizer On/Off (Only for Devices with an Ionizer)

#### 8.14.1 Setting the Ionizer

#### Procedure

- ▶ Open the "Settings/Device Settings/Ionizer" menu.
- ▶ Select manual or automatic activation for the "Ionizer Function" parameter.
- ▶ For the "Ionizer Intensity" parameter, select the desired intensity, e.g. weak.
- ▶ For the "Operating Duration" parameter, select the duration of the ionization process, e.g. 60 seconds.

### 8.14.2 Starting the Ionization Process

#### Requirements

The model is equipped with an ionizer.

#### Procedure

- ▶ If the [Ionizer] button appears in the weighing display: Press the [Ionizer] button.
- ▷ The ionization process starts.

### 8.14.3 Switching Off the Ionizer

#### Procedure

- ▶ Open the "Settings/Device Settings/Ionizer" menu.
- ▶ For the "Ionizer Function" parameter, select the setting value "Off, no function".

## 8.15 Running Applications (Examples)

### 8.15.1 Executing the "Unit Change" Function

The "Unit Change" function enables the user to switch between the different units and resolutions defined in the weighing profile of the active task. The units and resolutions can be set at the beginning of the weighing process.

#### Procedure

- ▶ Start the desired task.
- ▶ Press the [Unit Change] button.
- ▷ All units defined in the weighing profile for the active task are displayed in a list.
- ▷ All resolutions for the weight value defined in the weighing profile for the active task are displayed in a list.
- ▶ Press the desired unit.
- ▶ To set the resolution for the selected unit: Press the desired resolution.
- ▶ To confirm the selection and return to the weighing display: Press the [OK] button.
- ▷ The current weight value is displayed in the selected unit and resolution.

### 8.15.2 Running the "Statistics" Application

The "Statistics" application saves up to 100 weight values and evaluates these statistically.

The following values are saved and exported by the statistics application:

- Number of components
- Mean value
- Standard deviation
- Variation coefficient
- Sum of all values
- Lowest value (minimum)
- Highest value (maximum)
- Spread: Difference between maximum and minimum

The "Statistics" application can be combined with the following functions:

- Unit Change, only available in the weighing display, before saving the initial weight value
- ID marking
- Automatic taring

#### Procedure

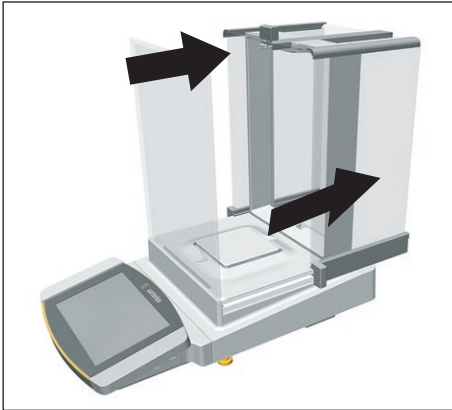
- ▶ Open the main menu.
- ▶ Start the task for the "Statistics" application.
- ▶ Zero the device.
- ▶ Place the sample on the weighing pan.
- ▶ To start the recording of the statistics: Press the [Confirm] button on the keypad.
- ▷ The current weight value is saved and the device is automatically tared.
- ▶ To save the next value: Place a new sample on the weighing pan and press the [Confirm] button.
- ▶ To display an overview of the saved data: Press the [Report] button.
- ▶ To print the current statistics: Press the [Print] button.
- ▶ To exit the current statistics, and to delete the saved values: Press the [Exit] button.

## 9 Cleaning and Maintenance

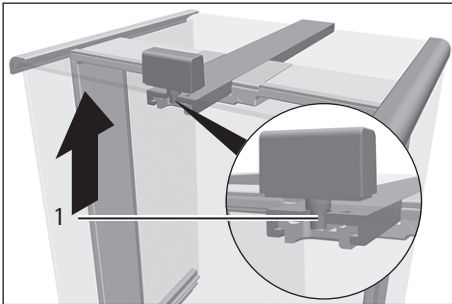
### 9.1 Preparing a Device with an Analytical Draft Shield or Flat Glass Draft Shield

#### Procedure

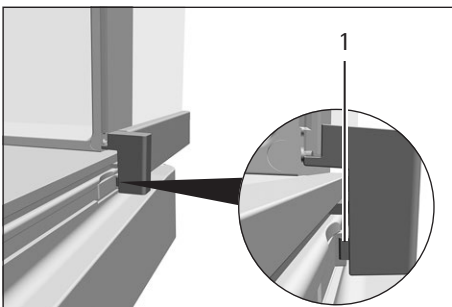
- ▶ Turn the device off.
- ▶ Disconnect the device from the power supply. To do so, disconnect the power supply cable from the wall outlet.
- ▶ Fully open the draft shield side panels and upper panel.



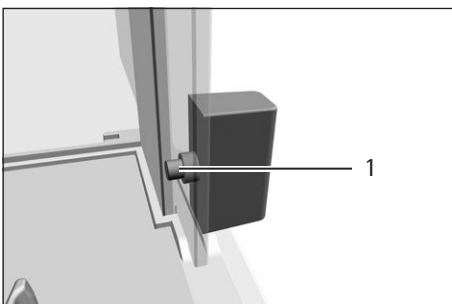
- ▶ Press and hold the locking button (1) on the door handle and pull the upper panel completely out of the guide rails.



- ▶ If this relates to a device with an analytical draft shield: Press and hold the locking button (1) on the guide rails and pull the side panels completely out of the guide rails.



- ▶ If this relates to a device with a flat glass draft shield: Press and hold the locking button (1) on the door handle and pull the side panels completely out of the guide rails.



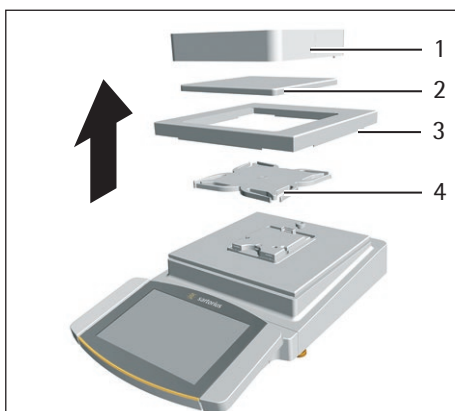


- ▶ Remove the weighing pan and all associated components from the weighing compartment, e.g. shield plate, pan support.

## 9.2 Preparing a Device with a Frame Draft Shield

### Procedure

- ▶ Turn the device off.
- ▶ Disconnect the device from the power supply. To do so, disconnect the power supply cable from the wall outlet.
- ▶ Remove the frame draft shield (1) and clean it with a brush or a damp cleaning cloth.
- ▶ Remove the weighing pan (2).
- ▶ Remove the shield plate (3) and pan support (4).



## 9.3 Cleaning the Device

### NOTICE

#### Corrosion or damage to the device due to unsuitable cleaning agents

- ▶ Do **not** use corrosive, chloride-containing, or aggressive cleaning agents.
- ▶ Do **not** use cleaning agents that contain abrasive ingredients, e.g. scouring agents, steel wool.
- ▶ Do **not** use solvent-based cleaning agents.
- ▶ Check whether the cleaning agents used are compliant materials (see Chapter "15.4 Materials", page 88).
- ▶ Make sure that cleaning materials, such as cloths, are only slightly damp.

### Procedure

- ▶ **NOTICE** Malfunction or damage to the device due to the ingress of moisture or dust
  - ▶ Remove dust and powdery sample residue with a brush or hand-held vacuum cleaner.
- ▶ **NOTICE** Corrosion or damage to the weighing pan due to unsuitable cleaning agents
  - ▶ Wipe down the balance base, the shield plate, and the weighing pan with a cleaning agent and a cloth. The cleaning agent must be suitable for stainless steel and titanium.
- ▶ Wipe the associated components of the weighing pan with a brush or a damp cleaning cloth, e.g. shield plate, support pan.

- ▶ Wipe the device housing with a damp cloth. For more severe contamination, use a mild soap solution.
- ▶ If this relates to a device with an analytical draft shield or flat glass draft shield: Wipe the weighing chamber with a damp cloth. For more severe contamination, use a mild soap solution.

**Tip**

We recommend cleaning the weighing pan on a regular basis, e.g. weekly. Do **not** allow deposits to form on the weighing pan.

Protective oil may be applied to the weighing pan for additional protection. The protective oil must be suitable for stainless steel and titanium.

## 9.4 Assembling and Connecting the Device

**Procedure**

- ▶ Re-insert all components into the device (for insertion, see Chapter "5.7 Installing a Device with an Analytical Draft Shield or Flat Glass Draft Shield", page 42, Chapter "5.8 Installing a Device with a Frame Draft Shield", page 44).
- ▶ Re-connect the device to the power supply (see Chapter "6.2 Connecting the Power Supply", page 47).

## 9.5 Maintenance Schedule

Interval	Component	Action	Chapter, page
Monthly to every 2 years, depending on the operating conditions	Device	Contact Sartorius Service	17, 100

## 9.6 Performing a Software Update

A software update can be installed from a USB mass storage device using the device's USB-A connection. A software update can extend or change functionality.

**Requirements**

- The device is switched on.
- The software update is saved on a USB mass storage device.

**Procedure**

- ▶ Download the software update from the Sartorius website onto the USB mass storage device.
- ▶ If this relates to a zip file: Unzip the software update on the stick. The files must be saved at root level. The files must **not** be set aside in a folder.
- ▶ Insert the USB mass storage device with the software update into one of the device's USB-A connection sockets.
- ▶ Select the "Update Firmware" menu entry in the "Settings/Device Maintenance" menu.
- ▶ Select "USB stick" as the connector.
- ▷ The software update takes approx. 3 minutes.
- ▷ Once the software update is complete: The software version number is updated in the login display.

## 9.7 Performing a QAPP Center Update

The QAPP center update can be installed from a USB mass storage device using the device's USB-A connection.

### Requirements

- The device is switched on.
- The QAPP center update is saved on a USB mass storage device.

### Procedure

- ▶ Download the QAPP center update from the Sartorius website onto the USB mass storage device.
- ▶ If this relates to a zip file: Unzip the QAPP center update on the stick. The files must be saved at root level. The files must **not** be set aside in a folder.
- ▶ Insert the USB mass storage device with the QAPP center update into one of the device's USB-A connections.
- ▶ Select the "Update QAPP Center" menu entry in the "Settings"/"Device Maintenance" menu.
- ▶ Select "USB stick" as the connector.
- ▶ Tap on the desired update.
- ▶ Once the software update is complete: Confirm successful installation with the [OK] button.

# 10 Malfunctions

## 10.1 Warning Messages

Warning message	Fault	Cause	Remedy	Chapter, page
Disp.Err.	The value to be output <b>cannot</b> be shown in the operating display.	The data to be displayed is <b>not</b> compatible with the set display format.	Adjust the display settings in the menu, e.g. resolution, unit, decimal places.	
High	The device is overloaded.	The device's maximum weighing capacity has been exceeded.	Reduce the applied weight to below the device's maximum weighing capacity.	15.7, 89
Low	The modulation of the weighing converter inside the weighing module is too low.	<b>No</b> weighing pan has been placed on the balance. A previously forgotten weight was removed after starting the device.	Insert the weighing pan into the device and switch the device off and on again.	
Com.Err.	The device is <b>not</b> receiving any weight values.	<b>No</b> communication exists between the display and control unit and the weighing module.	Wait until the display and control unit restores the communication with the weighing module.  If the problem occurs again: Contact Sartorius Service.	17, 100

## 10.2 Troubleshooting

Fault	Cause	Remedy	Chapter, page
The operating display is blank.	The device is disconnected.	Check the connection to the power supply.	6.2, 47
	The AC adapter is <b>not</b> connected.	Connect the power supply cable to the power supply.	6.2, 47
The displayed weight value changes constantly.	The installation site is unstable.	Adjust the parameters in the "Environment Monitoring" Submenu.	7.5.15, 62
	A foreign object is positioned between the weighing pan and the housing.	Remove the foreign object.	5.2, 38
The weight readout displayed by the device is obviously wrong.	The device has <b>not</b> been calibrated.	Calibrate the device.	8.9, 70
	The device was <b>not</b> tared before weighing.	Tare the device.	

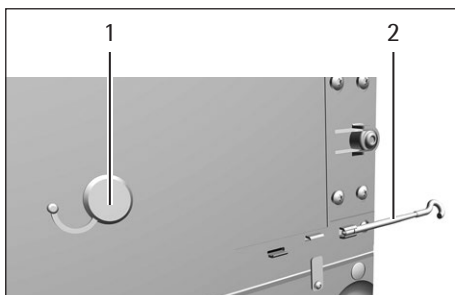


# 11 Decommissioning

## 11.1 Decommissioning the Device

### Procedure

- ▶ Turn the device off.
- ▶ Disconnect the device from the power supply.
- ▶ Disconnect the device from all connected devices and all accessories, e.g. printer or electronics module.
- ▶ If this relates to a device with an analytical draft shield or flat glass draft shield: Remove the draft shield side panels and upper panel (see Chapter "9.1 Preparing a Device with an Analytical Draft Shield or Flat Glass Draft Shield", page 76).
- ▶ Clean the device (see Chapter 9.3, page 77).
- ▶ Re-insert all components into the device (see Chapter "5.7 Installing a Device with an Analytical Draft Shield or Flat Glass Draft Shield", page 42, Chapter "5.8 Installing a Device with a Frame Draft Shield", page 44).
- ▶ If below-balance weighing has been set up:
  - ▶ Turn the device on its side and place it on a soft support base.
  - ▶ Remove the hook for below-balance weighing from the thread.
  - ▶ Insert the hook for below-balance weighing (2) into its retainer on the underside of the weighing module.
  - ▶ Re-insert the cover of the below-balance weighing equipment (1).
  - ▶ Place the device on the device base on a level surface.



# 12 Transport

## 12.1 Transporting the Device

### Procedure

- ▶ **⚠ CAUTION** Risk of injury from breaking glass Glass components can break if they fall or are handled incorrectly. Glass fragments can cause cuts.
  - ▶ Only lift the device by its base, **not** by the draft shield.



- ▶ When lifting and transporting, ensure that **no** personnel or objects are in the way.
- ▶ Use suitable conveyance devices, e.g., trolleys, for long transport routes.

# 13 Storage and Shipping

## 13.1 Storage

### Procedure

- ▶ Turn the device off.
- ▶ Disconnect the device from the power supply.
- ▶ Disconnect the device from all connected devices and all accessories, e.g. printer.
- ▶ Clean the device (see Chapter 9.3, page 77).
- ▶ Store the device according to the ambient conditions (see Chapter "15.2 Ambient Conditions", page 85).

## 13.2 Returning Device and Parts

Defective devices or device components can be returned to Sartorius. Returned devices must be clean, decontaminated, and properly packed, e.g. in the original packaging.

Transport damage as well as measures for subsequent cleaning and disinfection of the device or device components by Sartorius shall be charged to the sender.

---

### **WARNING**

#### **Risk of injury due to contaminated devices**

Devices contaminated with hazardous materials (nuclear, biological, or chemical – NBC) will **not** be accepted for repair or disposal.

- ▶ Observe the information on decontamination (see Chapter "14.1 Information on Decontamination", page 83).

---

### Procedure

- ▶ Switch off the device.
- ▶ Disconnect the device from the power supply.
- ▶ Disconnect the device from all connected devices and all accessories, e.g. printer.
- ▶ Clean the device.
- ▶ Contact Sartorius Service for instructions on how to return devices or device components (please refer to [www.sartorius.com](http://www.sartorius.com) for return instructions).
- ▶ Pack the device and the device components properly for return, e.g. in the original packaging.

# 14 Disposal

## 14.1 Information on Decontamination

The device does **not** contain any hazardous materials that would necessitate special disposal actions.

Contaminated samples used during the process are potentially hazardous materials that could cause biological or chemical hazards.

If the device has come into contact with hazardous substances: Steps must be taken to ensure proper decontamination and declaration. The operator is responsible for adhering to local legislation on the proper declaration of transport and disposal and the proper disposal of the device.

---

### **WARNING**

#### **Risk of injury due to contaminated devices**

Devices contaminated with hazardous materials (NBC contamination) will **not** be accepted by Sartorius for repair or disposal.

---

## 14.2 Disposing of Device and Parts

### 14.2.1 Information on Disposal

The device and the device accessories must be disposed of properly by disposal facilities.

A lithium cell battery, type CR2032, is installed inside the device. Batteries must be disposed of properly by disposal facilities.

The packaging is made of environmentally friendly materials that can be used as secondary raw materials.

### 14.2.2 Disposal

#### **Requirements**

The device has been decontaminated.

#### **Procedure**

- ▶ Dispose of the device. Follow the disposal instructions on our website ([www.sartorius.com](http://www.sartorius.com)).
- ▶ Inform the disposal facility that there is a lithium cell battery, type CR2032, installed inside the device.
- ▶ Dispose of the packaging in accordance with local government regulations.

# 15 Technical Data

## 15.1 Dimensions and Weight

### 15.1.1 Semi-microbalance

		With manual draft shield	With motorized draft shield
	Unit	Value	Value
Dimensions			
Weighing module (L x W x H)	mm	450 x 240 x 373	450 x 240 x 373
Electronics module (L x W x H)	mm	211 x 240 x 56	211 x 240 x 56
Weighing pan size	mm	85 x 85	85 x 85
Weight, approx.	kg	11.0	12.5

### 15.1.2 Analytical Balance

		With manual draft shield	With motorized draft shield
	Unit	Value	Value
Dimensions (L x W x H)			
	mm	470 x 240 x 373	470 x 240 x 373
Weighing pan size	mm	85 x 85	85 x 85
Weight, approx.	kg	9.0	10.8

### 15.1.3 Precision Balance

		With frame draft shield	With flat glass draft shield	With manual analytical draft shield	With motorized analytical draft shield
	Unit	Value	Value	Value	Value
Dimensions (L x W x H)					
	mm	470 x 240 x 122	470 x 240 x 284	470 x 240 x 373	470 x 240 x 373
Weighing pan size	mm	140 x 140	140 x 140	140 x 140	140 x 140
Weight, approx.	kg	6.7	8.3	10.2	11.0

## 15.2 Ambient Conditions

### 15.2.1 Installation Site

	Unit	Value
Installation site		
Standard laboratory rooms		
Installation site according to IEC 60259-1, maximum altitude above sea level	m	3000
For indoor use only		
Temperature		
In operation	°C	+5–+40
In operation for conformity-assessed devices: See information on the device's ID plate		
During storage and transport	°C	-20–+60
Relative humidity		
At temperatures of up to 31°C	%	80
Then linear decrease from 80% at 31°C to 50% at 40°C		
<b>No</b> heat from heating systems or direct sunlight		
<b>No</b> drafts from open windows, AC systems, or doors		
<b>No</b> vibrations		
<b>No</b> "heavy traffic" areas (personnel)		
<b>No</b> electromagnetic fields		
<b>No</b> dry air		

### 15.2.2 Ambient Temperature for the isoCAL Function

	Unit	MCA225S Value	MCA225P Value	MCA125S Value	MCA125P Value
Scope of application as per Directive 2014/31/EU					
With isoCAL function	°C	+10–+30	+10–+30	+10–+30	+10–+30
Without isoCAL function	°C	+17–+27	+17–+27	+17–+27	+17–+27
	Unit	MCA524S Value	MCA524P Value	MCA324S Value	MCA324P Value
Scope of application as per Directive 2014/31/EU					
With isoCAL function	°C	+10–+30	+10–+30	+10–+30	+10–+30
Without isoCAL function	°C	–	–	+17–+27	+17–+27
	Unit	MCA224S Value	MCA124S Value	MCA5203S Value	MCA5203P Value
Scope of application as per Directive 2014/31/EU					
With isoCAL function	°C	+10–+30	+10–+30	+10–+30	+10–+30
Without isoCAL function	°C	+17–+27	+17–+27	–	–

		MCA3203S	MCA2203S	MCA2203P	MCA1203S
	Unit	Value	Value	Value	Value
Scope of application as per Directive 2014/31/EU					
With isoCAL function	°C	+10–+30	+10–+30	+10–+30	+10–+30
Without isoCAL function	°C	+17–+27	+17–+27	+17–+27	+17–+27

		MCA623S	MCA623P	MCA323S	MCA5202S
	Unit	Value	Value	Value	Value
Scope of application as per Directive 2014/31/EU					
With isoCAL function	°C	+10–+30	+10–+30	+10–+30	+10–+30
Without isoCAL function	°C	+10–+30	+10–+30	+10–+30	+17–+27

### 15.2.3 Protection Class

IP Protection: Protected against dust and water

## 15.3 Power Supply

### 15.3.1 Device

Only by Sartorius AC adapter YEPS03-15V0

### 15.3.2 AC Adapter

	Unit	Value
Item No.		YEPS03-15V0
Primary		
AC voltage	V	100–240 (±10%)
Frequency	Hz	50–60 (±5%)
Current consumption, maximum	A	1.0
Secondary		
DC voltage at 2 A output current	V	14.25–15.75
Power, maximum	W	30
Short circuit protection: Electronic		
Protection class according to IEC 62368-1		I
Pollution level according to IEC 61010-1		2
Overvoltage category according to IEC 606641-1		II
Installation site according to IEC 62368-1, maximum altitude above sea level	m	5000
Temperature		
In operation	°C	0–+40
During storage and transport	°C	-20–+80
Connector for mains connection according to IEC 60320-1/C14: 3-pin		
Power supply cable		
Power supply cable according to IEC 60320-1/C14: Country-specific, 3-pin, two-sided plug		
Other data: See label on AC adapter		

### 15.3.3 Safety of Electrical Equipment

According to EN 61010-1/IEC 61010-1 Safety requirements for electrical equipment for measurement, control, and laboratory use – Part 1: General Requirements

### 15.3.4 Electromagnetic Compatibility

Interference resistance

Suitable for use in industrial areas

Transient emissions

Class B

Suitable for use in residential areas and areas that are connected to a low voltage network that also supplies residential buildings.

## 15.4 Materials

Housing: Die-cast aluminum, plastic PBT, Optiwhite float glass and stainless steel 1.4401/1.4404, PA handles, aluminum trim

Display and control unit: Die-cast aluminum, painted, float glass and plastic PBT, PP

## 15.5 Integrated Clock

	Unit	Value
Maximum deviation per month (RTC)	s	30

## 15.6 Backup Battery

	Unit	Value
Lithium battery, type CR2032		
Service life at room temperature, minimum	Years	10



## 15.7 Metrological Data

### 15.7.1 Models MCA225S | MCA225P | MCA125S | MCA125P

		MCA225S	MCA225P	MCA125S	MCA125P
	Unit	Value	Value	Value	Value
Scale interval (d)	mg	0.01	0.01/0.02/0.05	0.01	0.01   0.1
Maximum capacity (Max)	g	220	60/120/220	120	60   120
Repeatability at 5% load					
Standard deviation of the load values, tolerance	mg	0.015	0.015	0.015	0.015
Standard deviation of the load values, typical value	mg	0.0065	0.0065	0.0065	0.0065
Repeatability at approx. maximum capacity					
Standard deviation of the load values, tolerance	mg	0.025	0.04	0.025	0.06
Standard deviation of the load values, typical value	mg	0.02	0.02	0.02	0.02
Linearity deviation					
Tolerance	mg	0.1	0.15	0.1	0.15
Typical value	mg	0.065	0.1	0.065	0.1
Deviation when load is off-center, positions according to OIML R76					
Test weight	g	100	100	50	50
Tolerance	mg	0.15	0.2	0.15	0.2
Typical value	mg	0.1	0.1	0.1	0.1
Sensitivity drift between +10°C and +30°C	ppK	1	1	1	1
Tare maximum capacity: Less than 100% of maximum capacity					
Accuracy class according to Directive 2014/31/EU		I	I	I	I
Verification scale interval (e) according to Directive 2014/31/EU	mg	1	1	1	1
Minimum load (Min) according to Directive 2014/31/EU	mg	1	1	1	1
Minimum initial weighing according to USP (United States Pharmacopeia), Chap. 41					
Optimum minimum initial weighing	mg	8.2	8.2	8.2	8.2
Typical minimum initial weighing	mg	13	13	13	13
Typical stabilization time	s	2	2	2	2
Typical measurement time	s	6	6	6	6

## 15.7.2 Models MCA524S | MCA524P | MCA324S | MCA324P

		MCA524S	MCA524P	MCA324S	MCA324P
	Unit	Value	Value	Value	Value
Scale interval (d)	mg	0.1	0.1/0.2/0.5	0.1	0.1/0.2/0.5
Maximum capacity (Max)	g	520	120/240/520	320	80/160/320
Repeatability at 5% load					
Standard deviation of the load values, tolerance	mg	0.08	0.08	0.08	0.08
Standard deviation of the load values, typical value	mg	0.04	0.04	0.04	0.04
Repeatability at approx. maximum capacity					
Standard deviation of the load values, tolerance	mg	0.1	0.15	0.1	0.1
Standard deviation of the load values, typical value	mg	0.05	0.05	0.05	0.05
Linearity deviation					
Tolerance	mg	0.4	0.5	0.3	0.5
Typical value	mg	0.2	0.2	0.2	0.2
Deviation when load is off-center, positions according to OIML R76					
Test weight	g	200	200	200	200
Tolerance	mg	0.3	0.4	0.3	0.4
Typical value	mg	0.2	0.2	0.2	0.2
Sensitivity drift between +10°C and +30°C	ppK	1	1	1	1
Tare maximum capacity: Less than 100% of maximum capacity					
Accuracy class according to Directive 2014/31/EU		I	I	I	I
Verification scale interval (e) according to Directive 2014/31/EU	mg	1	1	1	1
Minimum load (Min) according to Directive 2014/31/EU	mg	10	10	10	10
Minimum initial weighing according to USP (United States Pharmacopeia), Chap. 41					
Optimum minimum initial weighing	mg	82	82	82	82
Typical minimum initial weighing	mg	82	82	82	82
Typical stabilization time	s	1	1	1	1
Typical measurement time	s	3	3	3	3

## 15.7.3 Models MCA224S | MCA124S | MCA5203S | MCA5203P

		MCA224S	MCA124S	MCA5203S	MCA5203P
	Unit	Value	Value	Value	Value
Scale interval (d)	mg	0.1	0.1	1	1/2/5
Maximum capacity (Max)	g	220	120	5200	1200/2400/5200
Repeatability at 5% load					
Standard deviation of the load values, tolerance	mg	0.07	0.1	1	1
Standard deviation of the load values, typical value	mg	0.04	0.04	0.5	0.5
Repeatability at approx. maximum capacity					
Standard deviation of the load values, tolerance	mg	0.07	0.1	1	1
Standard deviation of the load values, typical value	mg	0.05	0.05	0.6	0.6
Linearity deviation					
Tolerance	mg	0.2	0.2	5	5
Typical value	mg	0.13	0.13	2	3
Deviation when load is off-center, positions according to OIML R76					
Test weight	g	100	50	2000	2000
Tolerance	mg	0.2	0.2	2	2
Typical value	mg	0.12	0.12	1	1
Sensitivity drift between +10°C and +30°C	ppK	1	1	1	1
Tare maximum capacity: Less than 100% of maximum capacity					
Accuracy class according to Directive 2014/31/EU		I	I	I	I
Verification scale interval (e) according to Directive 2014/31/EU	mg	1	1	10	10
Minimum load (Min) according to Directive 2014/31/EU	mg	10	10	100	100
Minimum initial weighing according to USP (United States Pharmacopeia), Chap. 41					
Optimum minimum initial weighing	mg	82	82	820	820
Typical minimum initial weighing	mg	82	82	1000	1000
Typical stabilization time	s	1	1	1	1
Typical measurement time	s	3	3	2	2

## 15.7.4 Models MCA3203S | MCA2203S | MCA2203P | MCA1203S

		MCA3203S	MCA2203S	MCA2203P	MCA1203S
	Unit	Value	Value	Value	Value
Scale interval (d)	mg	1	1	1   10	1
Maximum capacity (Max)	g	3200	2200	1010   2200	1200
Repeatability at 5% load					
Standard deviation of the load values, tolerance	mg	1	0.7	0.7	0.7
Standard deviation of the load values, typical value	mg	0.5	0.5	0.5	0.5
Repeatability at approx. maximum capacity					
Standard deviation of the load values, tolerance	mg	1	1	1	0.7
Standard deviation of the load values, typical value	mg	0.6	0.6	0.6	0.6
Linearity deviation					
Tolerance	mg	5	3	5	2
Typical value	mg	2	2	3	1
Deviation when load is off-center, positions according to OIML R76					
Test weight	g	1000	1000	1000	500
Tolerance	mg	2	2	3	2
Typical value	mg	1	1	2	1
Sensitivity drift between +10°C and +30°C	ppK	1	1	1	1.5
Tare maximum capacity: Less than 100% of maximum capacity					
Accuracy class according to Directive 2014/31/EU		I	I	I	I
Verification scale interval (e) according to Directive 2014/31/EU	mg	10	10	10	10
Minimum load (Min) according to Directive 2014/31/EU	mg	100	100	100	100
Minimum initial weighing according to USP (United States Pharmacopeia), Chap. 41					
Optimum minimum initial weighing	mg	820	820	820	820
Typical minimum initial weighing	mg	1000	1000	1000	1000
Typical stabilization time	s	1	1	1	1
Typical measurement time	s	2	1.5	1.5	1.5

## 15.7.5 Models MCA623S | MCA623P | MCA323S | MCA5202S

		MCA623S	MCA623P	MCA323S	MCA5202S
	Unit	Value	Value	Value	Value
Scale interval (d)	mg	1	1   2   5	1	10
Maximum capacity (Max)	g	620	150   300   620	320	5200
Repeatability at 5% load					
Standard deviation of the load values, tolerance	mg	0.7	1	0.7	6
Standard deviation of the load values, typical value	mg	0.4	0.4	0.4	2
Repeatability at approx. maximum capacity					
Standard deviation of the load values, tolerance	mg	0.7	1	0.7	6
Standard deviation of the load values, typical value	mg	0.5	0.5	0.5	2
Linearity deviation					
Tolerance	mg	2	5	2	10
Typical value	mg	0.6	1.5	0.6	5
Deviation when load is off-center, positions according to OIML R76					
Test weight	g	200	200	200	2000
Tolerance	mg	2	4	2	10
Typical value	mg	1	3	1	5
Sensitivity drift between +10°C and +30°C	ppK	2	2	2	2
Tare maximum capacity: Less than 100% of maximum capacity					
Accuracy class according to Directive 2014/31/EU		II	II	II	I
Verification scale interval (e) according to Directive 2014/31/EU	mg	10	10	10	100
Minimum load (Min) according to Directive 2014/31/EU	mg	20	20	20	1000
Minimum initial weighing according to USP (United States Pharmacopeia), Chap. 41					
Optimum minimum initial weighing	mg	820	820	820	8200
Typical minimum initial weighing	mg	820	820	820	8200
Typical stabilization time	s	0.8	0.8	0.8	0.8
Typical measurement time	s	1	1	1	1

## 15.8 Recommended Calibration Weight

		MCA225S	MCA225P	MCA125S	MCA125P
	Unit	Value	Value	Value	Value
External test weight	g	200	200	100	100
Recommended accuracy class		E2	E2	E2	E2

		MCA524S	MCA524P	MCA324S	MCA324P
	Unit	Value	Value	Value	Value
External test weight	g	500	500	300	300
Recommended accuracy class		E2	E2	E2	E2

		MCA224S	MCA124S	MCA5203S	MCA5203P
	Unit	Value	Value	Value	Value
External test weight	g	200	100	5000	5000
Recommended accuracy class		E2	E2	E2	E2

		MCA3203S	MCA2203S	MCA2203P	MCA1203S
	Unit	Value	Value	Value	Value
External test weight	g	3000	2000	1000	1000
Recommended accuracy class		E2	E2	E2	E2

		MCA623S	MCA623P	MCA323S	MCA5202S
	Unit	Value	Value	Value	Value
External test weight	g	500	500	200	5000
Recommended accuracy class		E2	E2	E2	E2

## 15.9 isoCAL Function

### 15.9.1 Models MCA225S | MCA225P | MCA125S | MCA125P | MCA324S | MCA324P | MCA224S | MCA124S | MCA2203S | MCA2203P | MCA1203S

	Unit	Value
isoCAL is triggered by the following criteria:		
In the event of a temperature change	K	1.5
After a time interval	h	12
After successful leveling		

**15.9.2 Models MCA524S | MCA524P | MCA5203S | MCA5203P | MCA3203S**

	Unit	Value
isoCAL is triggered by the following criteria:		
In the event of a temperature change	K	1.5
After a time interval	h	6
After successful leveling		

**15.9.3 Models MCA623S | MCA623P | MCA323S | MCA5202S**

	Unit	Value
isoCAL is triggered by the following criteria:		
In the event of a temperature change	K	2
After a time interval	h	12
After successful leveling		

**15.10 Data Storage Device**

Maximum number of datasets	150,000
----------------------------	---------

## 15.11 Interfaces

### 15.11.1 Specifications for the COM-RS232 Interface

---

Type of interface: Serial interface

---

Interface operation: Full duplex

---

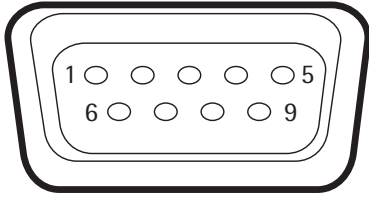
Level: RS232

---

Connection: D-sub connector, 9-pin

---

Pin assignment



Pin 1: **Not** used  
 Pin 2: Data output (TxD)  
 Pin 3: Data input (RxD)  
 Pin 4: **Not** used  
 Pin 5: Internal ground  
 Pin 6: **Not** used  
 Pin 7: Clear to Send (CTS)  
 Pin 8: Request to Send (RTS)  
 Pin 9: **Not** used

---

### 15.11.2 Specifications for the USB-A Interface

---

Communication: USB host (master)

---

Connectable devices: Sartorius printers, USB memory sticks,  
 USB barcode scanners, USB keyboards

---

### 15.11.3 Specifications for the USB-B Interface

---

Communication: USB device (slave)

---

Type of interface: Virtual serial interface (virtual COM-port,  
 VCP) and "PC direct" communication

---



# 16 Accessories

## 16.1 Accessories

This table contains an excerpt of the accessories that can be ordered. For information on other products, contact Sartorius Service.

### 16.1.1 Printers and Communication

Item	Quantity	Order number
Thermal transfer   thermal printer for GLP/GMP printouts on continuous paper and labels	1	YDP30
Thermal transfer   thermal network printer with Ethernet connection for GLP/GMP printouts on continuous paper and labels	1	YDP30-NET
Wireless nano USB adapter for company network or independent Wi-Fi network, e.g., operation with a Sartorius network printer YDP30-NET (only for Europe)	1	YWLAN01MS
Wireless nano router, e.g., for Sartorius network printer YDP30-NET for operation in an independent Wi-Fi network (only for Europe)	1	YWLAN02MS
Display cable, 3 m, for separate installation of display and weighing units, installation by Sartorius Service or at the factory	1	VF4754
Installation of display cable, 3 m, for separate installation of display and weighing units	1	VF4016
Cable, 3 m, between the weighing module and electronics module for semi-microbalance	1	YCC01-MSM3
RS232C connection cable, 9-pin, 3 m, for connection to a PC with 9-pin COM interface	1	VF4761
USB QR barcode scanner	1	YBR05
Sartorius Wedge, software for data communication between the PC and device	1	YSW02

### 16.1.2 Displays and Input/Output Elements

Item	Quantity	Order number
MCE operating display with color TFT display and touch screen	1	69MS0128
Motion sensor for triggering a maximum of 4 functions via gesture control, selection via menu	1	YHS02MS

**16.1.3 Hardware for Pipette Calibration**

Item	Quantity	Order number
Pipette calibration kit for semi-microbalance and analytical balance; consists of a moisture trap and all necessary adapters	1	YCP04MS

**16.1.4 Filter Balance and Antistatic Accessories**

Item	Quantity	Order number
Antistatic weighing pan, 130 mm diameter, for weighing module for semi-microbalance and analytical balance	1	YWP04MS
Ionization blower for electrostatically charged samples	1	YIB01-0DR
Stat-Pen ionization pen for discharging electrostatically charged samples	1	YSTP01
Ionizer		
With u-shaped electrode for 230 V	1	YIB02-230V
With u-shaped electrode for 115 V	1	YIB02-115V








**16.1.5 Special Applications**

Item	Quantity	Order number
Density determination set for solids and liquids		
For semi-microbalance and analytical balance	1	YDK03MS
For precision balance with scale interval of 1 mg	1	YDK04MS

**16.1.6 Weighing Tables**

Item	Quantity	Order number
Weighing table		
Made from synthetic stone, with vibration dampening	1	YWT03
Made from wood and synthetic stone	1	YWT09
Wall console	1	YWT04

## 16.1.7 Weighing Accessories

Item	Image	Quantity	Order number
Weighing scoop made from chrome-nickel steel, L 90 mm x W 32 mm x H 8 mm		1	641214
Flexible sample holder for weighing vessels and filters with diameters of up to 120 mm, replaces the original weighing pan, for semi-microbalance and analytical balance		1	YFH01MS
Holder for analytical and semi-microbalance			
For reaction vessels, 1.5 ml–2 ml		1	YSH15
For reaction vessels, 5 ml		1	YSH19
For laboratory vessels		1	YSH23
For weighing scoops		1	YSH26
For filters, 150 mm diameter		1	YSH30
For titration vessel		1	YSH37
For syringes, vertical		1	YSH46

## 17 Sartorius Service

Sartorius Service is available should there be any queries regarding the device. Please visit the Sartorius website ([www.sartorius.com](http://www.sartorius.com)) for information about the service addresses, services provided, or to contact a local representative.

When contacting Sartorius Service with questions about a system or in the event of malfunctions, be sure to have the device information close at hand e.g., serial number, hardware, firmware, and configuration. Consult the information on the manufacturer's ID label and in the "General Device Information" menu (see Chapter "4.14 Menu Structure", page 31).

## 18 Conformity Documents

### 18.1 EU Declaration of Conformity

The attached Declaration of Conformity hereby confirms compliance of the device with the directives cited.



The Declaration of Conformity supplied here is for conformity-assessed (verified) balances for use in the EEA. Please keep it in a safe place.



Original



sartorius

## EG-/EU-Konformitätserklärung EC / EU Declaration of Conformity

Hersteller  
Manufacturer

Sartorius Lab Instruments GmbH & Co. KG  
37070 Goettingen, Germany

erklärt in alleiniger Verantwortung, dass das Betriebsmittel  
*declares under sole responsibility that the equipment*

Geräteart  
Device type

Elektronische Präzisions-, Milligramm-, Analysen-, Semimikro-, Mikro-Klein- und Hochlastwaage |  
Netzgerät | Handsensor | Klimamodul  
*Electronical Precision, Milligram, Analytical, Semi micro, Micro-Small, and High-Capacity Balance | Power Supply |  
Hand sensor | Climatic module*

Baureihe  
Type series

MCAvw-2x-y, MCEvw-2x-y | YEPS03-15V0 | YHS02MS | YCM20MC, YCM20MC-DAKKS  
v = 2.7, 3.6, 6.6, 10.6, 124, 125, 224, 225, 323, 324, 524, 623, 1202, 1203, 2202, 2203, 3203, 4202,  
5201, 5202, 5203, 6202, 8201, 8202, 10202, 11201, 12201, 14202, 20201, 32202, 36200, 36201,  
50201, 70200, 70201;  
w = S, P; x = S00, S01, CEU, CFR, CCN, OBR, OIN, ORU, OJP; y = A, E, F, I, M, O, R, U

in der von uns in Verkehr gebrachten Ausführung allen einschlägigen Bestimmungen der folgenden  
Europäischen Richtlinien - einschließlich deren zum Zeitpunkt der Erklärung geltenden Änderungen -  
entspricht und die anwendbaren Anforderungen folgender harmonisierter Europäischer Normen -  
einschließlich deren zum Zeitpunkt der Erklärung geltenden Änderungen - erfüllt:

*in the form as delivered fulfils all the relevant provisions of the following European Directives -  
including any amendments valid at the time this declaration was signed - and meets the applicable  
requirements of the harmonized European Standards including any amendments valid at the time this  
declaration was signed - listed below:*

2014/30/EU

Elektromagnetische Verträglichkeit  
*Electromagnetic compatibility*  
EN 61326-1:2013

2006/42/EG  
2006/42/EC

Maschinen  
*Machines*  
EN ISO 12100:2010, EN 61010-1:2010\*

2011/65/EU

Beschränkung der Verwendung bestimmter gefährlicher Stoffe in Elektro- und Elektronikgeräten (RoHS)  
*Restriction of the use of certain hazardous substances in electrical and electronic equipment (RoHS)*  
EN 50581:2012

Die Person, die bevollmächtigt ist, die technischen Unterlagen zusammenzustellen:

*The person authorised to compile the technical file:*

Sartorius Lab Instruments GmbH & Co. KG  
Electronics & Product Compliance  
37070 Goettingen, Germany

Sartorius Lab Instruments GmbH & Co. KG  
Goettingen, 2019-07-01

Dr. Reinhard Baumfalk  
Head of Product Development  
Lab Products and Services Division

Dr. Dieter Klausgrete  
Senior Scientist Certification Management

\*: angewandte, jedoch für Maschinen nicht harmonisierte Norm /  
applied standard, which however is not harmonized for machines

Doc: 2369814-01 SLI18CE001-01.de,en 1 / 1 PMF: 2369813 OP-113\_fo1\_2015.10.12





**Certificate:** 70185847  
**Project:** 70185847

**Master Contract:** 167555  
**Date Issued:** 2018-09-24

### **APPLICABLE REQUIREMENTS**

#### CSA Standards:

CAN/CSA-C22.2 No. 61010-1-12 - Safety Requirements for Electrical Equipment for Measurement, Control, and Laboratory Use, Part 1: General Requirements

#### UL Standards:

UL Std. No. 61010-1 (3<sup>rd</sup> Edition) - Safety Requirements for Electrical Equipment for Measurement, Control, and Laboratory Use - Part 1: General Requirements

### **CONDITIONS OF ACCEPTABILITY**

- (1) Equipment is intended to be used with power supply FSP Group Inc, Model FSP030-DGAN3 or Sinpro Electronics Co Ltd, Model SPU31-106 or PSFD rated output 15Vdc, 2A. The equipment can also be used with any other power supply approved for Canada and USA under the 60950-1 or 61010-1 or equivalent standards and which provides Reinforced insulation between mains and secondary circuits. It must be rated for 3000m and up to 40°C and must provide an output of 15Vdc LPS with a minimum of 1A
- (2) Detachable cord set, to be delivered with the product, consisting of minimum NEMA 5-15 Plug, 3 x 18AWG cable and C13 Appliance coupler. For countries outside Canada and the USA the cable must be equivalent and must fulfill the national requirements for detachable cord sets.

## 18.3 FCC Supplier's Declaration of Conformity

**FCC** Supplier's Declaration of Conformity

**Device type**   Electronical Precision, Milligram, Analytical, Semi Micro, Micro-Small and High-Capacity Balance

**Type series**   **MCAvw-2x-y, MCEvw-2x-y**

**v** = 2.7, 3.6, 6.6, 10.6, 124, 125, 224, 225, 323, 324, 524, 623, 1202, 1203, 2202, 2203, 3203, 4202, 5201, 5202, 5203, 6202, 8201, 8202, 10202, 11201, 12201, 14202, 20201, 32202, 36200, 36201, 50201, 70200, 70201

**w** = S, P

**x** = S00, S01, CEU, CFR, CCN, OBR, OIN, ORU, OJP

**y** = A, E, F, I, M, O, R, U

**Party issuing Supplier's Declaration of Conformity /  
Responsible Party – U.S. Contact Information**

Sartorius Corporation  
5 Orville Dr Suite 200  
11716 Bohemia, NY  
USA  
Telephone: +1.631.254.4249

**FCC Compliance Statement**

This device complies with Part 15 of the FCC Rules. Operation is subject to the following two conditions: (1) This device may not cause harmful interference, and (2) this device must accept any interference received, including interference that may cause undesired operation.

**Information to the user**

Note: This equipment has been tested and found to comply with the limits for a **class B** digital device, pursuant to part 15 of the FCC Rules. These limits are designed to provide reasonable protection against harmful interference in a residential installation. This equipment generates, uses and can radiate radio frequency energy and if not installed and used in accordance with the instructions, may cause harmful interference to radio communications. However, there is no guarantee that interference will not occur in a particular installation. If this equipment does cause harmful interference to radio or television reception, which can be determined by turning the equipment off and on, the user is encouraged to try to correct the interference by one or more of the following measures:

- Reorient or relocate the receiving antenna.
- Increase the separation between the equipment and receiver.
- Connect the equipment into an outlet on a circuit different from that to which the receiver is connected.
- Consult the dealer or an experienced radio/TV technician for help.

Connections between the device and peripherals must be made using shielded cables in order to maintain compliance with FCC radio frequency emission limits.

Any modifications made to this device that are not approved by Sartorius may void the authority granted to the user by the FCC to operate this equipment.

Doc: 2384181-00    SLL18FCC001-00.en    1 / 1    PMF: 2369813    OP-113\_fo1\_2015.10.12



Sartorius Lab Instruments GmbH & Co. KG  
Otto-Brenner-Strasse 20  
37079 Goettingen, Germany

Phone: +49.551.308.0  
www.sartorius.com

The information and figures contained in these instructions correspond to the version date specified below.

Sartorius reserves the right to make changes to the technology, features, specifications and design of the equipment without notice.

Masculine or feminine forms are used to facilitate legibility in these instructions and always simultaneously denote the other gender as well.

**Copyright notice:**

This instruction manual, including all of its components, is protected by copyright. Any use beyond the limits of the copyright law is not permitted without our approval. This applies in particular to reprinting, translation and editing irrespective of the type of media used.

© Sartorius Germany

Last updated:  
05 | 2020