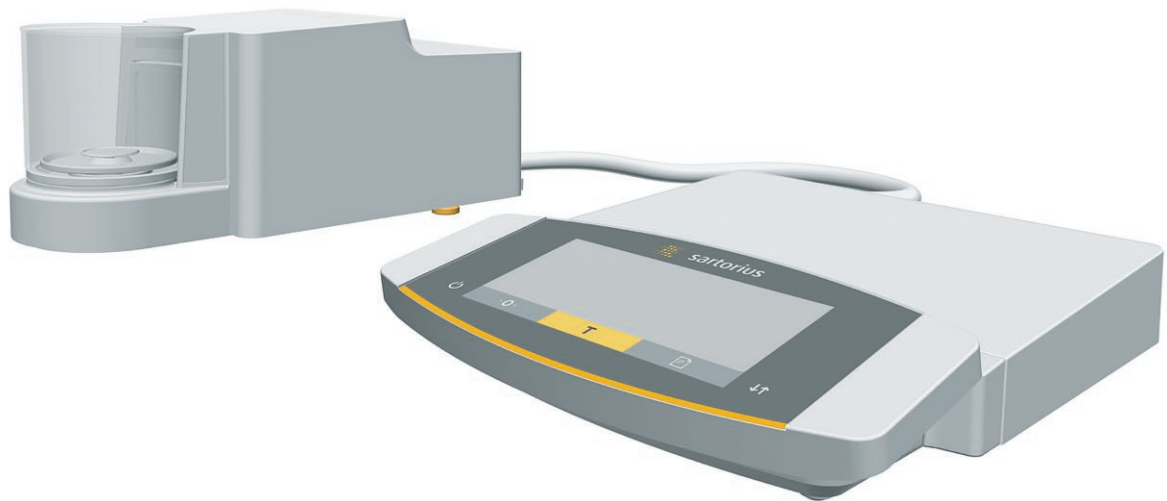


Operating Instructions
Original Operating Instructions

Cubis®

MCE Models
Micro Balances



Contents

1 About these Instructions	5	5.5 Installing a Microbalance with Glass Draft Shield	29
1.1 Scope	5	5.5.1 Positioning the Weighing Pan and Associated Components	29
1.2 Symbols Used.....	5	5.6 Installing a Filter Microbalance with a Metal Ring Draft Shield	30
1.2.1 Warnings in Operating Instructions.....	5	5.6.1 Inserting a Filter Pan or Weighing Pan and Associated Components.....	30
1.2.2 Other Symbols	5	5.6.2 Optimizing a Filter Weighing Pan with a Metal Ring Draft Shield for Left- handed Users	31
1.3 Target Groups.....	6	5.7 Connecting the Electronics Module	31
2 Safety Instructions	7	5.8 Acclimatization	31
2.1 Intended Use	7	6 Getting Started	32
2.2 Personnel Qualification.....	7	6.1 Connecting Electronic Components	32
2.3 Significance of these Instructions.....	7	6.2 Installing the AC Adapter.....	32
2.4 Proper Working Order of the Device.....	8	6.3 Connecting the Power Supply.....	32
2.5 Symbols on the Device	8	7 System Settings	33
2.6 Electrical Equipment.....	8	7.1 Performing System Settings.....	33
2.6.1 Damage to the Electrical Equipment of the Device	8	7.2 Switching Off the isoCAL Function.....	33
2.6.2 Working on the Device's Electrical Equipment.....	8	7.3 Parameter List	34
2.6.3 AC Adapter and Power Supply Cable.....	8	7.3.1 Parameters in the "Setup" Main Menu	34
2.7 Conduct in an Emergency.....	8	7.3.2 Parameters in the "Device" Main Menu....	36
2.8 Accessories, Consumables, and Spare Parts	9	7.3.3 Parameters in the "Data Output" Main Menu.....	41
2.9 Personal Protective Equipment	9	7.3.4 Parameters in the "Applications" Main Menu.....	42
2.10 Glass Breakage.....	9	7.3.5 Parameters in the "Input" Main Menu	44
3 Device Description	10	7.3.6 Parameters in the "Language" Main Menu..	45
3.1 Device Overview	10	7.3.7 Parameters in the "Unit 1", "Unit 2", "Unit 3", and "Unit 4" Application Menus..	45
3.2 Draft Shield	11	8 Operation	46
3.3 Weighing Pan and Associated Components.....	12	8.1 Switching the Device On and Off	46
3.4 Connections and Components on the Backside of the Weighing Module.....	12	8.2 Leveling the Device.....	46
3.5 Connections on the Control Unit.....	13	8.3 Opening and Closing the Motorized Draft Shield (Only for Devices with a Motorized Draft Shield) ..	47
3.6 Connections and Components on the Electronics Module	13	8.3.1 Defining the Opening Width.....	47
3.7 Displays on Weighing Module (Only for Microbalance)	14	8.4 Preparing Weighings.....	48
3.8 Motorized Draft Shield	14	8.5 Weighing	48
3.8.1 Sensor Area.....	14	8.6 Overview of Calibration, Adjustment, and Linearization	48
3.8.2 Operating Elements for the Draft Shield...	14	8.7 Adjusting with the isoCAL Function	49
3.9 Conformity-assessed Devices.....	14	8.8 Internally Calibrating and Adjusting the Device ...	50
3.10 Symbols on the Device	15	8.9 Externally Calibrating and Adjusting the Device (Not for Conformity-assessed Models)	51
4 Operating Concept	16	8.10 Printing Results	53
4.1 Operating Display in Weighing Mode.....	16	8.11 Weighing and Printing with ID Marking.....	53
4.2 Operating Display in the Menu	17	8.12 Running Applications (Examples)	54
4.3 Buttons and Keys on the Operating Display.....	17	8.12.1 Executing the "Toggle Between Weight Units" Function.....	54
4.4 Displays in the Operating Display	18	8.12.2 Running the "Statistics" Application	54
4.5 Menu Structure.....	20		
4.5.1 Overview of the Device Settings Menu	20		
4.6 Navigating the Menus.....	24		
5 Installation	26		
5.1 Scope of Delivery.....	26		
5.2 Selecting an Installation Site	26		
5.3 Unpacking the Device.....	27		
5.4 Preparing Below-cell Weighing.....	27		

9	Cleaning and Maintenance	56
9.1	Preparing the Device.....	56
9.2	Cleaning the Device.....	56
9.3	Assembling and Connecting the Device.....	57
9.4	Maintenance Schedule.....	57
9.5	Performing a Software Update.....	58
10	Malfunctions	59
10.1	Status Messages.....	59
10.2	Warning Messages.....	59
10.3	Troubleshooting.....	61
11	Decommissioning	62
11.1	Decommissioning the Device.....	62
12	Transport	62
12.1	Transporting the Device.....	62
13	Storage and Shipping	63
13.1	Storage.....	63
13.2	Returning Device and Parts.....	63
14	Disposal	64
14.1	Information on Decontamination.....	64
14.2	Dispose of Device and Parts.....	64
14.2.1	Information on Disposal.....	64
14.2.2	Disposal.....	64
15	Technical Data	65
15.1	Dimensions and Weight.....	65
15.1.1	Microbalance.....	65
15.2	Power Supply.....	65
15.2.1	Device.....	65
15.2.2	Power Supply Unit.....	65
15.2.3	Safety of Electrical Equipment.....	66
15.2.4	Electromagnetic Compatibility.....	66
15.3	Materials.....	66
15.4	Integrated Clock.....	66
15.5	Backup Battery.....	66
15.6	Ambient Conditions.....	67
15.6.1	Installation Site.....	67
15.6.2	Ambient Temperature for the isoCAL Function.....	67
15.6.3	Protection Class.....	67
15.7	Metrological Data.....	68
15.7.1	Models MCE2.7S MCE10.6S MCA6.6S MCA3.6P.....	68
15.8	Recommended Calibration Weight.....	69
15.9	isoCAL Function.....	69
15.10	Interfaces.....	69
15.10.1	Specifications for the COM-RS232 Interface.....	69
15.10.2	Specifications for the USB-A Interface....	69
15.10.3	Specifications for the USB-B Interface....	69
16	Accessories	70
16.1	Accessories.....	70
16.1.1	Printers and Communication.....	70
16.1.2	Displays and Input/Output Elements....	70
16.1.3	Hardware and Software for Pipette Calibration.....	71
16.1.4	Filter Balance and Antistatic Accessories ..	71
16.1.5	Weighing Tables.....	71
16.1.6	Weighing Accessories.....	71
17	Sartorius Service	72
18	Conformity & Certificates	72
18.1	EU Declaration of Conformity.....	72
18.2	Certificate of Compliance.....	74
18.3	FCC Supplier's Declaration of Conformity	76

1 About these Instructions

1.1 Scope

These instructions are part of the device. These instructions apply to the device in the following versions:

Device	Model
Ultramicrobalances and microbalances with a motorized draft shield	MCE10.6S...-M MCE2.7S...-M MCE3.6P...-M MCE6.6S...-M
Filter ultramicrobalances and microbalances	MCE10.6S...-F MCE2.7S...-F MCE6.6S...-F

1.2 Symbols Used

1.2.1 Warnings in Operating Instructions

WARNING

Denotes a danger with the risk that death or severe injury may result if it is **not** avoided.




CAUTION

Denotes a hazard that may result in moderate or minor injury if it is **not** avoided.

NOTICE

Denotes a danger with the risk that property damage may result if it is **not** avoided.

1.2.2 Other Symbols

-  Required action: Describes actions which must be carried out.
-  Result: Describes the result of the actions carried out.
- [] Text inside brackets refers to control and display items.
- [] Text inside brackets indicates status, warning, and error messages.
-  Indicates information for legal metrology for conformity-assessed (verified) devices. Conformity-assessed devices are also referred to as "verified" in these instructions.

Figures on the Operating Display

The figures on the operating display of the device may deviate from those in these instructions.

1.3 Target Groups

These instructions are addressed to the following target groups. The target groups must possess the specified knowledge.

Target group	Knowledge and responsibilities
User	The user is familiar with the operation of the device and the associated work processes. They understand the hazards which may arise when working with the device and know how to prevent them. They have been trained in the operation of the device. The training is carried out by the operating engineer/laboratory manager or the operator of the device.
Operator	The operator of the device is responsible for compliance with safety requirements and workplace safety regulations. The operator must ensure that all persons who work with the device have access to the relevant information and are trained in working with the device.

2 Safety Instructions

2.1 Intended Use

The device is a high-resolution balance, which can be used in laboratories. The device was developed for the accurate determination of the mass of materials in liquid, paste, powder, or solid form.

Appropriate containers must be used for loading each type of material. The device can be used in stand-alone operation or can be operated on a PC.

The device is exclusively designed for use according to these instructions. Any further use beyond this is considered **improper**.

If the device is **not** used properly: The protective systems of the device may be impaired. This can lead to unforeseeable personal injury or property damage.

Operating Conditions for the Device

Do **not** use the device in potentially explosive environments. The device may only be used indoors.

The device may only be used with the equipment and under the operating conditions described in the Technical Data section of these instructions.

Modifications to the Device

You may **not** modify or repair the device or make any technical changes. Any retrofitting or technical changes to the device are only permitted with prior written permission from Sartorius.

2.2 Personnel Qualification

All persons working on the device must possess the necessary knowledge and responsibilities (see Chapter "1.3 Target Groups", page 6).

If **no** qualifications are indicated for the actions described in these instructions: The actions described are addressed to the "User" target group.

If individual actions must be carried out by other target groups or by Sartorius Service personnel: The qualification required will be indicated in the description of the action.

2.3 Significance of these Instructions

Failure to follow the instructions in this manual can have serious consequences, e.g., exposure of individuals to electrical, mechanical, or chemical hazards.

- ▶ Before working with the device: Read the instructions carefully and completely.
- ▶ If these instructions are lost: Request a replacement or download the latest version from the Sartorius website (www.sartorius.com).
- ▶ Ensure that the information contained in these instructions is available to all individuals working on the device.

2.4 Proper Working Order of the Device

A damaged device or worn parts may lead to malfunctions or cause hazards which are difficult to recognize.

- ▶ Only operate the device when it is safe and in perfect working order.
- ▶ Have any malfunctions or damage repaired immediately by Sartorius Service.

2.5 Symbols on the Device

All symbols appearing on the device, such as warnings and safety labels, must be legible.

- ▶ Do **not** conceal, remove, or modify the symbols.
- ▶ Replace the symbols if they become illegible.

2.6 Electrical Equipment

2.6.1 Damage to the Electrical Equipment of the Device

Damage to the electrical equipment of the device, e.g. damage to the insulation, can be life-threatening. Contact with parts under voltage represents a direct danger to life.

- ▶ If the device's electrical equipment is defective, disconnect the device from the power supply and contact Sartorius Service.
- ▶ Keep live parts away from moisture. Moisture can cause short circuits.

2.6.2 Working on the Device's Electrical Equipment

Only Sartorius Service personnel may work on or modify the electrical equipment of the device. The device may only be opened by Sartorius Service personnel.

2.6.3 AC Adapter and Power Supply Cable

Serious injury can result, e.g. from electric shocks, if an unsuitable and inadequately dimensioned power supply cable or unsuitable power supply is used.

- ▶ Only use the original power supply cable and power supply.
- ▶ If the power supply or power supply cable must be replaced: Contact Sartorius Service. Do **not** repair or modify the power supply or power supply cable.

2.7 Conduct in an Emergency

If there is immediate danger of personal injury or if there is a risk of damage to the device, e.g., due to malfunctions or dangerous situations, the device must be immediately taken out of operation.

- ▶ Disconnect the device from the power supply cable by disconnecting the power supply cable.
- ▶ Malfunctions should be remedied by Sartorius Service.

2.8 Accessories, Consumables, and Spare Parts

The use of unsuitable accessories, consumables, and spare parts can affect the functionality and safety of the device and have the following consequences:

- Risk of injury to persons
 - Damage to the device
 - Malfunction of the device
 - Device failure
-
- ▶ Only use approved accessories, consumables, and spare parts supplied by Sartorius. Information on operational quality is available upon request from Sartorius.
 - ▶ Only use accessories, consumables, and spare parts that are in proper working order.

2.9 Personal Protective Equipment

Personal protective equipment protects against risks arising from the samples used.

- ▶ If the workplace or the measurement process in which the device is being used requires personal protective equipment: Wear personal protective equipment.

2.10 Glass Breakage

Glass components can break if they fall or are handled incorrectly. Glass fragments can cause cuts.

- ▶ Only lift the device by its base, **not** by the draft shield.
- ▶ When lifting and transporting, ensure that **no** personnel or objects are in the way.

3 Device Description

3.1 Device Overview

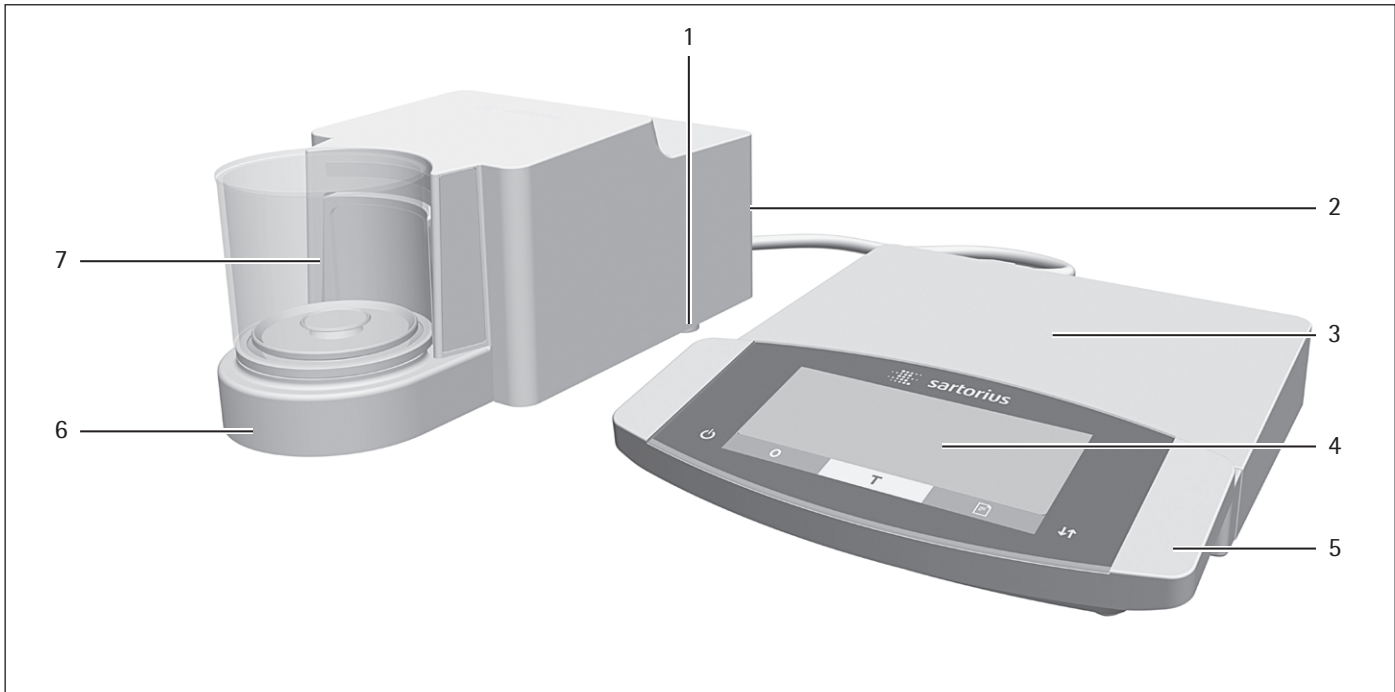


Fig. 1: Microbalance with glass draft shield and electronics module (example)

Pos.	Designation	Description
1	Leveling foot	Motorically adjustable
2	Manufacturer's ID label	Not depicted
3	Electronics module	
4	Operating display	Touchscreen
5	Control unit	
6	Weighing module	
7	Weighing chamber	

3.2 Draft Shield

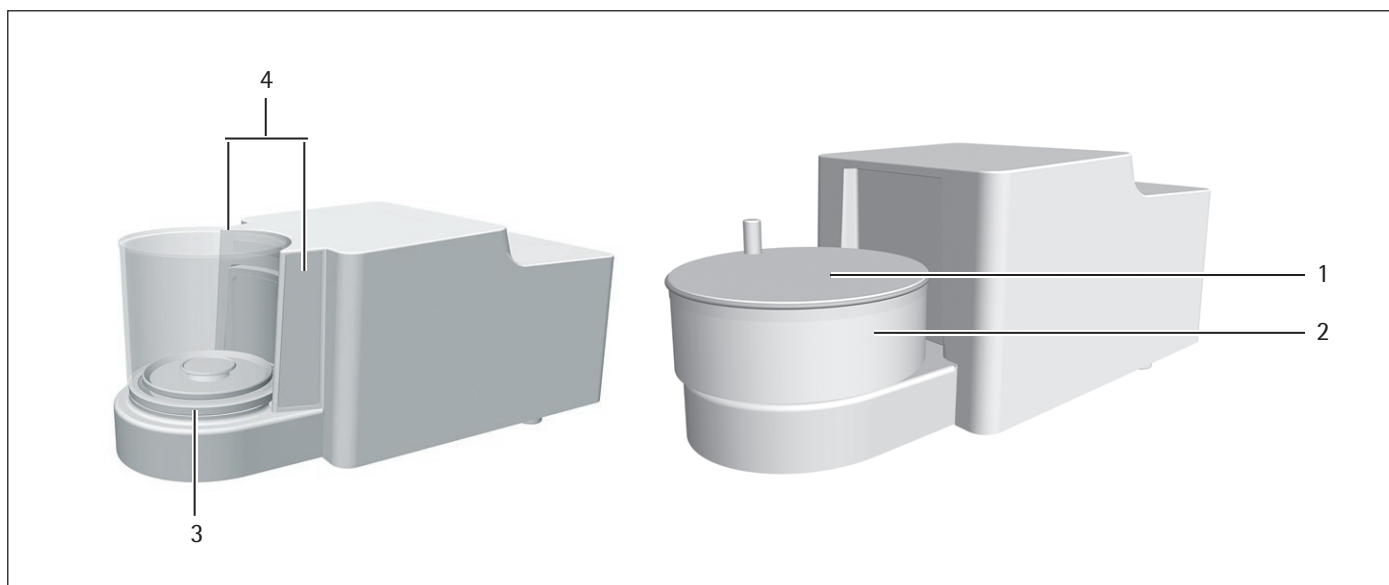


Fig. 2: Microbalance with motorized glass draft shield and filter microbalance with manual metal ring draft shield (example)

Pos.	Designation	Description
1	Metal ring draft shield cover	Made from metal, with handle, can be removed.
2	Metal ring draft shield	Consists of 2 metal rings that have been placed into each other with a side opening, can be rotated manually.
3	Glass draft shield	Made from glass, with side opening, motorized rotation. Can be removed.
4	Sensor window	For the motion sensor, controls opening and closing of the motorized glass draft shield

3.3 Weighing Pan and Associated Components

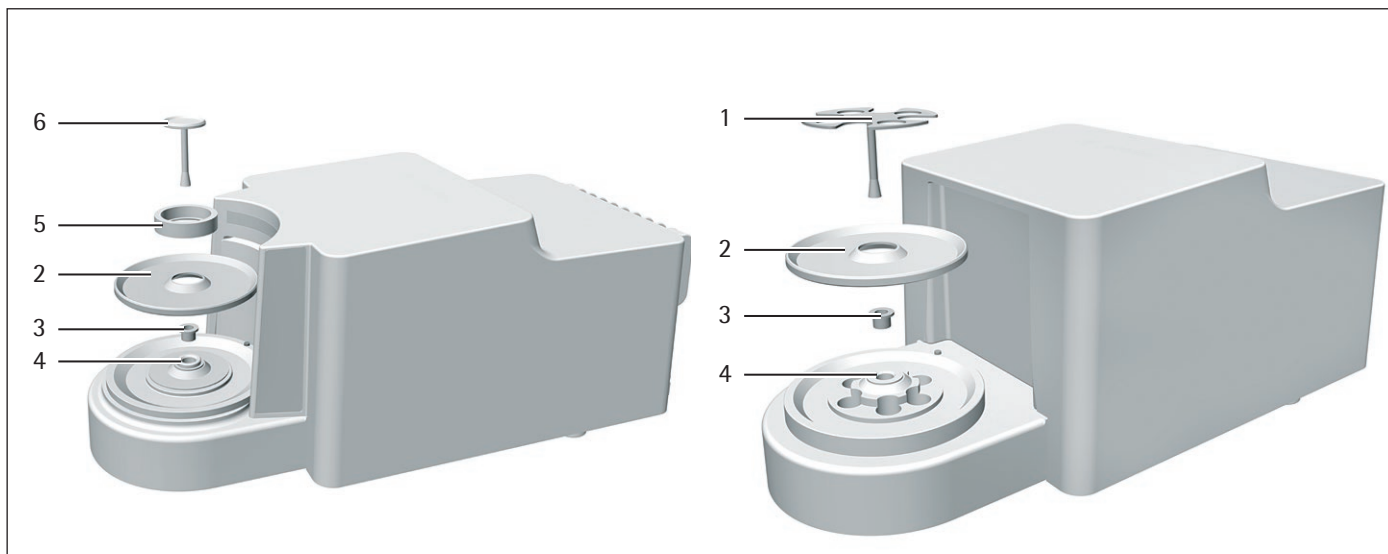


Fig. 3: Microbalance with glass draft shield and filter microbalance with metal ring draft shield (example)

Pos.	Designation	Description
1	Filter weighing pan	
2	Shield plate	
3	Connector	For models MCE2.7S...F only
4	Pan retainer	
5	Internal draft shield	For models MCE2.7S...F only
6	Weighing pan	

3.4 Connections and Components on the Backside of the Weighing Module

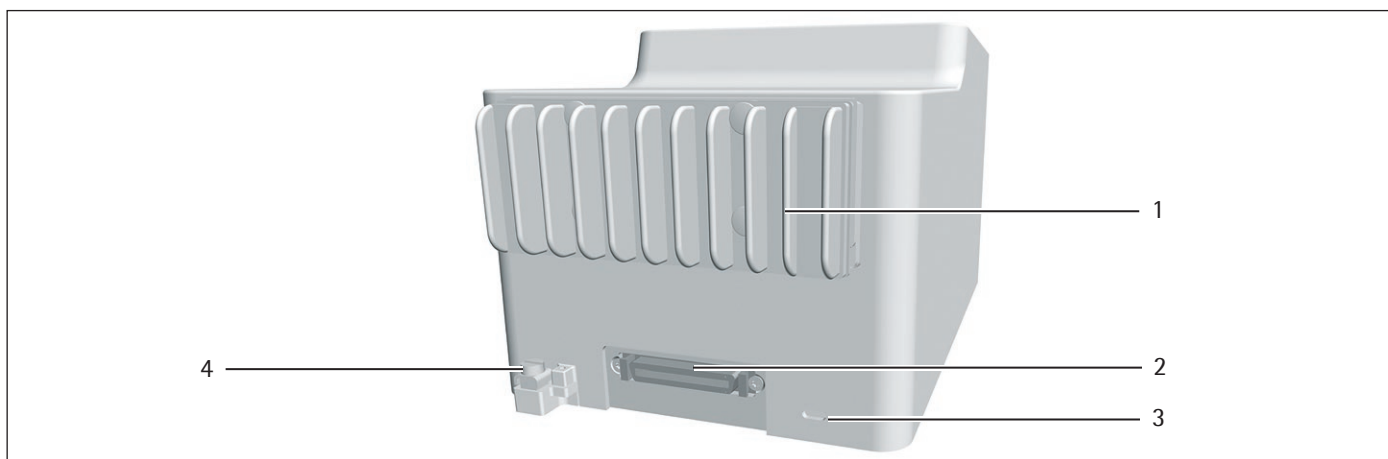


Fig. 4: Connections on the weighing module of the microbalance and filter microbalance (example)

Pos.	Designation	Description
1	Cooling fins	For models MCE2.7S...F only
2	Electronics module connection	For connecting the electronics module to the weighing module
3	Slot	For the anti-theft device
4	Connection clamp	For connection of a potential equalization

3.5 Connections on the Control Unit

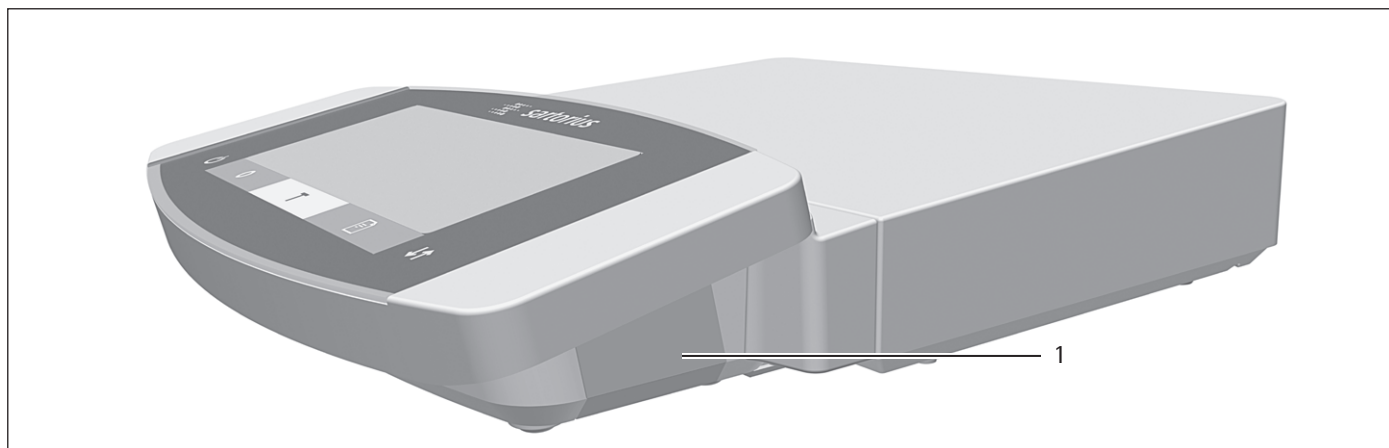


Fig. 5: Connections on the control unit

Pos.	Designation	Description
1	USB connection	Concealed, no function, for Sartorius Service only

3.6 Connections and Components on the Electronics Module

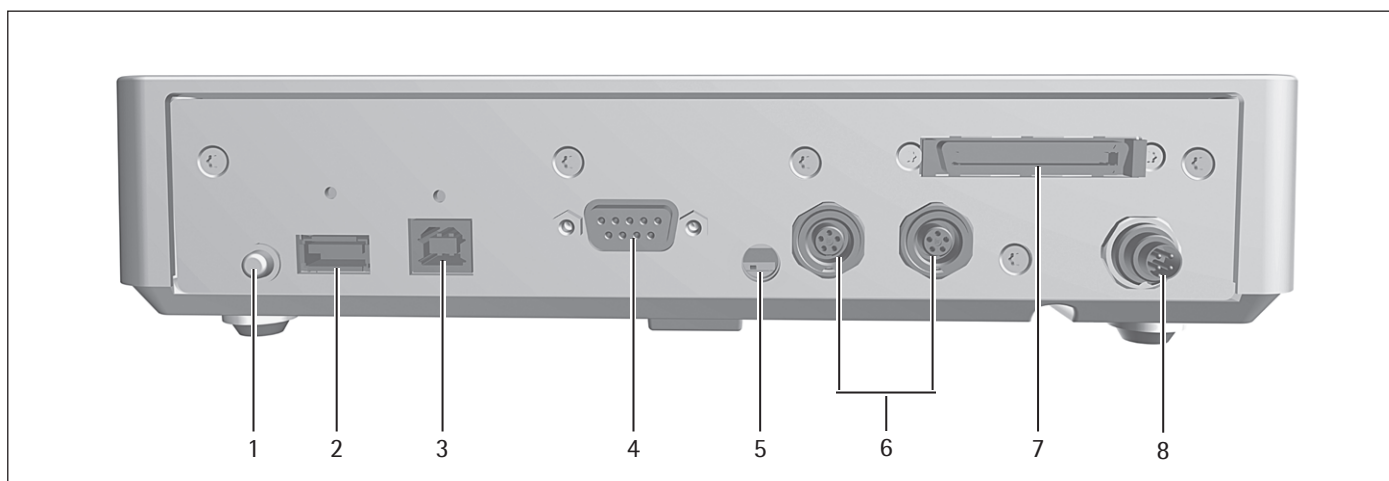


Fig. 6: Connections on the electronics module

Pos.	Designation	Description
1	On key	Switches the device on from standby mode.
2	USB-A connection	For printers and for software updates via a USB mass storage device
3	USB-B connection	For connection to a PC
4	COM-RS232 connection	9-pin, for connection to a PC or PLC
5	Access switch	Protects the device from changes to the device settings. Is sealed for conformity-assessed devices.
6	Peripheral connection	For connecting Sartorius accessories.
7	Weighing module connection	For connecting the electronics module to the weighing module
8	Power supply	For connection to the power supply

3.7 Displays on Weighing Module (Only for Microbalance)



Fig. 7: Displays on the weighing module (example)

Pos.	Designation	Description
1	LED strip	Used for lighting of weighing chamber. The intensity of the lighting can be adjusted in the menu. When the control unit displays an error message: The LED strip is illuminated in orange.

3.8 Motorized Draft Shield

3.8.1 Sensor Area

The device has a motion sensor that opens the draft shield automatically as soon as a motion is detected within the sensor area. Following that the draft shield will be automatically closed again. The operation is optimized for left- and right-handed users due to the motion sensor.

The motion sensor sensitivity can be adjusted in steps (see Chapter "Parameters in the "Motion Sensors" Submenu", page 38)

3.8.2 Operating Elements for the Draft Shield

The draft shield can be opened and closed via the [Change] key. Operation via the [Change] key enables the opening and closing of the draft shield as well as the activation and deactivation of the motion sensor.

3.9 Conformity-assessed Devices

Some settings of conformity-assessed models are protected against user changes, e.g. external calibration for devices in accuracy class II. This measure is intended to ensure the suitability of the devices for use in legal metrology.

3.10 Symbols on the Device

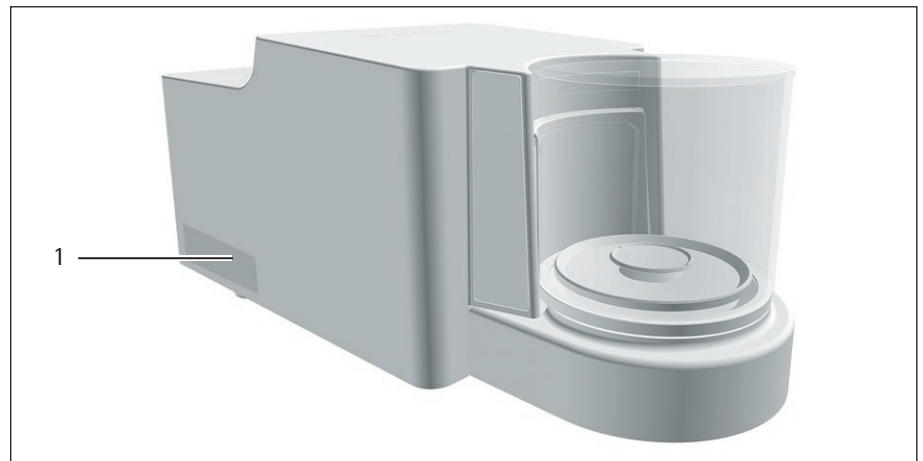



Fig.8: ID label on the device (example)

Pos.	Designation	Description
1	Manufacturer's ID label	Displays the metrological data of the device.

Symbol	Meaning
	During operation, parts in the device may be live. Only electricians may have access to and work on these parts, such as for maintenance and repairs.

4 Operating Concept

4.1 Operating Display in Weighing Mode

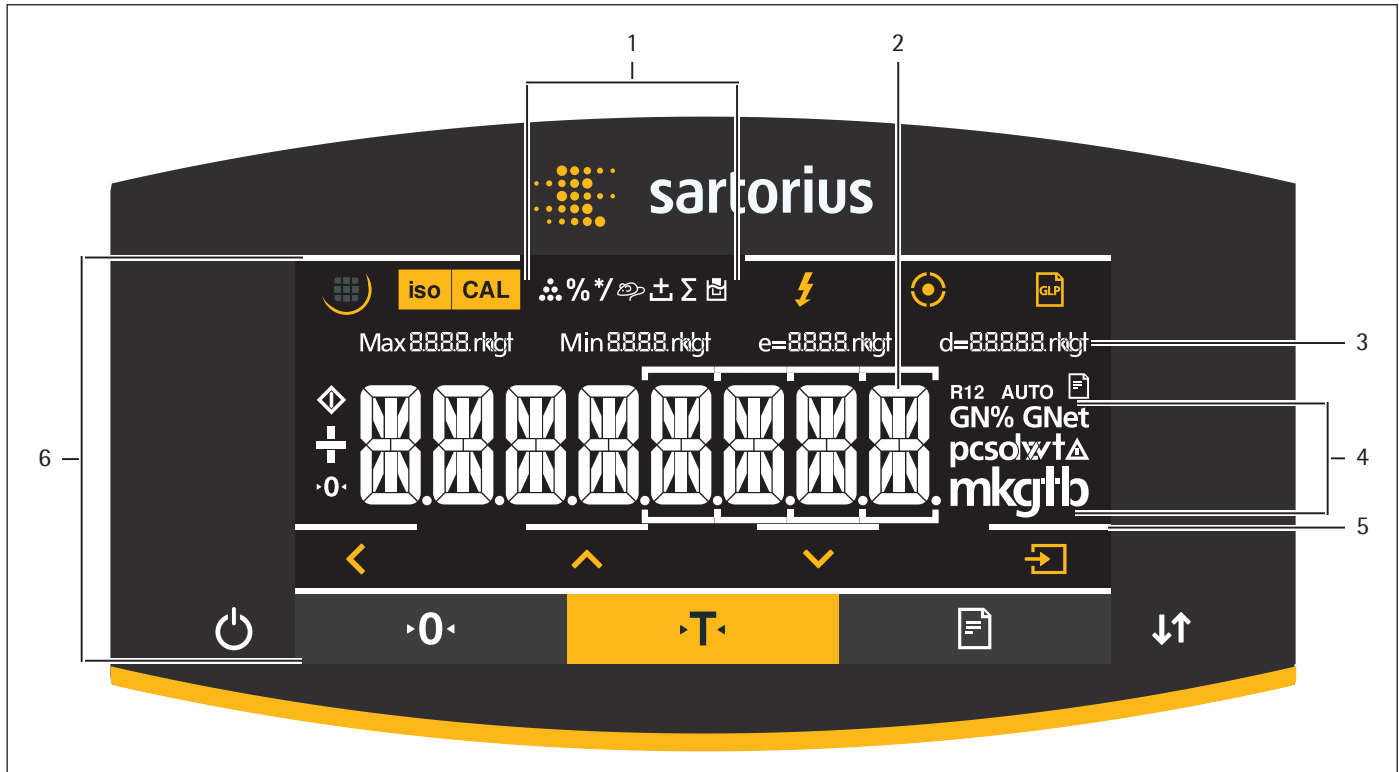


Fig. 1: Operating display in weighing mode (example)

Pos.	Designation	Description
1	Symbols for the selected application	
2	Weight value display	In the selected basic unit.
3	Metrological data	
4	Weight units	Shows the selected basic unit, e.g. grams, [g].
5	Visual touch-feedback	Visual note on an active button or key.
6	Operating and display area	

4.2 Operating Display in the Menu

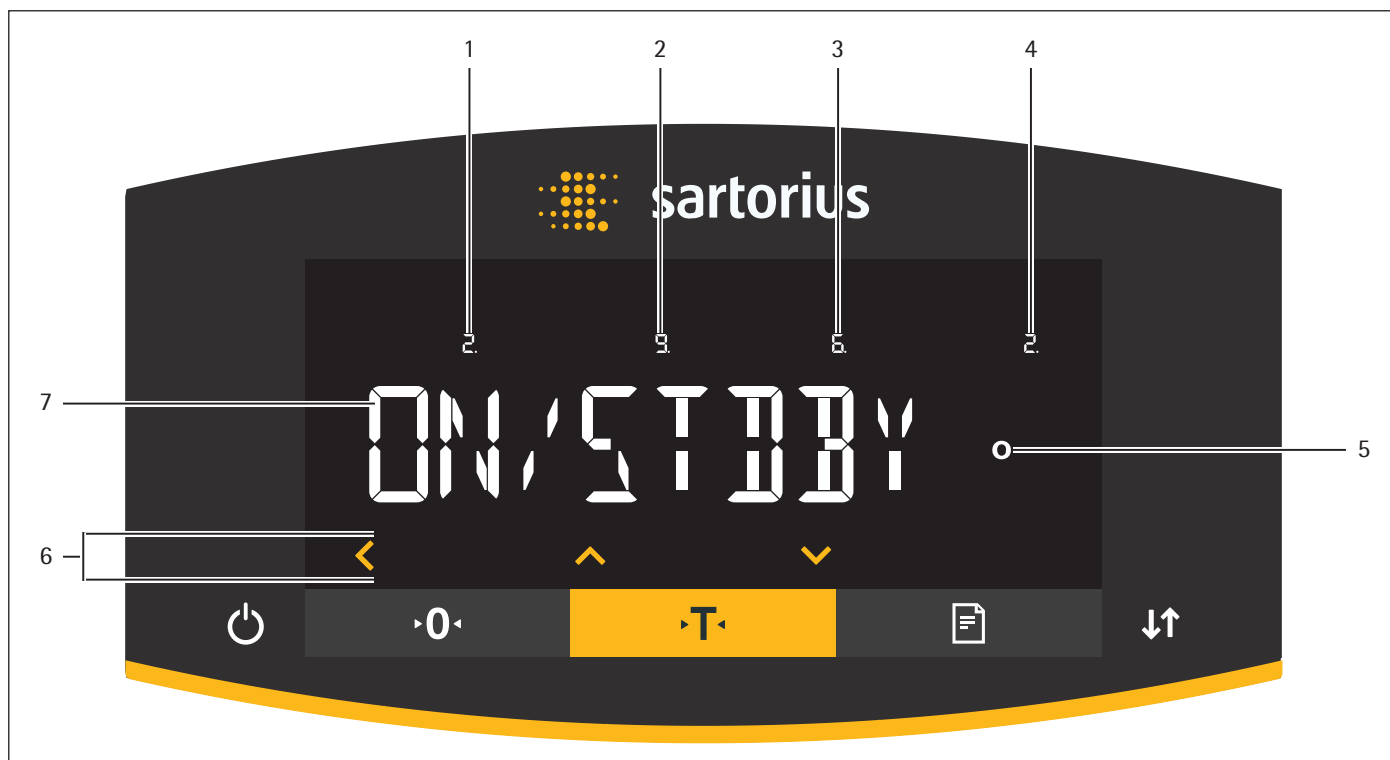













Fig. 2: Operating display in the menu (example)



Pos.	Designation	Description
1	Position in the 1st menu level	Shows the position of the displayed menu or configuration value in up to 4 menu levels.
2	Position in the 2nd menu level	
3	Position in the 3rd menu level	
4	Position in the 4th menu level	
5	[Computed values] display	Note on the set menu item
6	Operating area	
7	Name of the menu or setting	

4.3 Buttons and Keys on the Operating Display

Pos.	Symbol	Designation	Description
1		[Menu] button	When the button is pressed: The settings menu opens. If the button is held down: It switches to version display.
2		[isoCAL] button	Starts the isoCAL function.
3		[Adjust] button	Starts the set calibration and adjustment function.
4		[Ionizer] button	Starts an ionization process.
5		[Leveling] button	Starts a leveling process.
6		[GLP] button	<ul style="list-style-type: none"> Exits the GLP printout and starts printing the GLP footer. If the "Net-total", "Totalizing", or "Statistics" application is active: Prints and deletes the saved values and exits the application.

Pos.	Symbol	Designation	Description
7		[Toggle between weight units] button	If the "Toggle between weight units" function is active: <ul style="list-style-type: none"> – If the button is held down: Accesses the "Toggle between weight units" function menu. – When the button is pressed: Switches between the basic unit display and up to 4 other units.
8		[Invalid weight value] button	If a fault exists in the weighing module: Indicates the cause of this fault.
9		[Back] button	<ul style="list-style-type: none"> – In the menu: <ul style="list-style-type: none"> – When the button is pressed: Returns to the previous display. – If the button is held down: Saves the menu settings. – When entering digits: Selects the previous digit position. – For an active application: Exits the application and deletes the set reference value.
10		[Up] button	<ul style="list-style-type: none"> – In the menu: Scrolls through the menu levels or the available configuration values. – When entering digits: Increases the displayed value.
11		[Down] button	<ul style="list-style-type: none"> – In the menu: Scrolls through the menu levels or the available configuration values. – When entering digits: Decreases the displayed value. – In the main display of an active application: Accesses the display to set the reference values.
12		[Confirm] button	<ul style="list-style-type: none"> – In the menu: Accesses the displayed menu level or confirms the displayed configuration value. – When entering digits: Selects the next digit position. – In the main display of an active application: Starts the application process and saves the set reference value.
13		[On/Off] key	If the key is briefly pressed: Switches the operating display on. If the key is held down: Switches the operating display off.
14		[Zero] key	Zeros the device.
15		[Tare] key	Starts taring.
16		[Print] key	Exports the readouts to the integrated data interfaces.
17		[Change] key	<ul style="list-style-type: none"> – For models with a motorized draft shield: Opens or closes the doors on the draft shield. – For models without a motorized draft shield, if the "Toggle between weight units" function is active: <ul style="list-style-type: none"> – If the key is briefly pressed: Switches between the set weight units. – If the key is held down: Accesses the "Toggle between weight units" function menu.

4.4 Displays in the Operating Display

Pos.	Symbol	Designation	Description
1		[Leveling] display	<ul style="list-style-type: none"> – Indicates that the device is leveled. – If the center circle is flashing: Indicates that the device is not leveled.
2		[Leveling] display	Flashes while the device is leveling.

Pos.	Symbol	Designation	Description
3		[Counting] display	Indicates that the "Counting" application is selected.
4		[Weighing in percent] display	Indicates that the "Weighing in percent" application is selected.
5		[Calculation] display	Indicates that the "Calculation" application is selected.
6		[Animal weighing] display	Indicates that the "Animal weighing" application is selected.
7		[Net-total] display	Indicates that the "Net-total" application is selected.
8		[Totalizing] display	Indicates that the "Totalizing" application is selected.
9		[Density determination] display	Indicates that the "Density determination" application is selected.
10		[Statistics] display	Indicates that the "Statistics" application is selected.
11		[Busy] display	Indicates that the device is processing a command.
12		[Sign] display	Indicates whether the value being displayed is positive or negative.
13		[Zero] display	For some conformity-assessed devices: Indicates that the device has been zeroed.
14		[AUTO] display	Indicates that the "Animal weighing" application starts automatically.
15		[Data output] display	Indicates that the data output is active.
16		[Percent] display	Indicates that a percentage value is being displayed.
17		[Net] display	Indicates that a net value is being displayed.
18		[Computed value] display	<ul style="list-style-type: none"> – In the menu: Identifies the selected configuration value. – If the "Calculation" or "Density determination" application is active: Indicates that a calculated value is being displayed.
19		[Unit symbol] display	Indicates the set weight unit, e.g. [g] for "grams".
20		[Quantity]	Indicates that a quantity is being displayed.
21		[Invalid weight value] display	<ul style="list-style-type: none"> – Indicates that the display does not contain a weight value, rather it is the calculated result of an application, e.g. for the "Totalizing" application. – For conformity-assessed devices: Indicates a fault. The cause of this fault is displayed after pressing the [Change] key.
22		[Directional arrows] display	If leveling with the inclination sensor is active: Displays the direction of rotation of the leveling foot.

4.5 Menu Structure

4.5.1 Overview of the Device Settings Menu

► Navigating in Menus (see Chapter 4.6, page 24).

Level 1	Level 2	Level 3	Description Reference
SETUP	BALANCE	AMBIENT "Ambient conditions"	Enter the ambient conditions at the device's installation site.
		APP FILT. "Application filter"	Equalize the load deviations in the display. The load deviations occur between the complete placement of the sample on the weighing pan and reaching the final result display.
		STABIL. "Stability range"	Define the accuracy of the stability range. If the weight unit symbol appears, the weight readout is stable within the range indicated by the stability range
		ST.DEL. "Stability delay"	Define the duration of the stability delay. The stability delay is used to bridge residual fluctuations in the vibration of the device in order to display reliable results.
		ZERO/TAR. "Zeroing and taring"	Define the trigger for zeroing and taring.
		AUTOZER. "Auto zero"	Activate/deactivate automatic control of the zero display. The deviations of a set fraction of scale intervals per second starting from the display zero point are automatically zeroed.
		UNIT	Define the weight unit, e.g. grams, kilograms, pounds. Depending on the country-specific model version, not all weight units listed may be available. Some weight units may be blocked from use in conformity-assessed devices, depending on national verification laws.
		DISP.DIG.	Define whether all decimal places are displayed. A lower display accuracy enables a faster display. The setting option is not available on conformity-assessed devices.
		CAL/ADJ. "Adjust"	Define the function of the [Adjust] button.
		CAL.SEQ. "Calibration sequence"	Define the sequence of the "Calibrate and adjust" function.
		ZERORNGE "Zero range"	Define the zero range of the device.
		INI.ZERO.R "Zero at power on"	Define the zero range when switching on the device.
		ON Z/T Tare/zero at power on	Activate/deactivate automatic taring when starting the device.
CYC.RATE "Output rate"	Determine the data output rate.		

Level 1	Level 2	Level 3	Description Reference
		ISOCAL	Configure the isoCAL function.
		EXT.CAL "External adjustment"	Configure the function "External calibration and adjustment".
		CALUNIT "Calibration weight unit"	Define the weight unit for the calibration weight.
	GEN.SERV. "General services"	MEN.RESET "Menu reset"	Reset the menu to factory settings.
DEVICE	RS232 "COM-RS232, 9-pin"	DAT.REC.	Set the communication protocol for the connected device.
		BAUD	Set the baud rate for the connected device.
		PARITY	Set the parity for the connected device.
		STOPBIT	Set the number of stop bits.
		HANDSHK.	Set the handshake between the balance and the device.
		DATABIT	Set the number of data bits.
	PC-USB "USB-B (Device/ Slave)"	DAT.REC.	Set the communication protocol for the connected PC.
		BAUD	Set the baud rate for the connected PC.
		PARITY	Set the parity for the connected PC.
		STOPBIT	Set the number of stop bits.
		HANDSHK.	Set the handshake between the device and the connected PC.
		DATABIT	Set the number of data bits.
	USB "USB-A (Host/Master)"	DEV.USED "Device in use"	Display the device connected via USB-A.
	D.SHIELD "Draft shield" Only for devices with a motorized draft shield.	CONTROL	Activate/deactivate the motorized draft shield.
		INT.ADJ.	Define the function of the draft shield when starting an internal adjustment.
		SEN.L.MOT.	Set the sensitivity of the left motion sensor.
		ACT.L.MOT.	Define the action for the left motion sensor.
		SEN.R.MOT.	Set the sensitivity of the right motion sensor.
		ACT.S.MOT.	Define the action for right motion sensor.
		LIGHTING	Set the brightness of the lighting of the draft shield.
	LEVELING "Leveling"	LEVEL	Define the settings for the integrated inclination sensor.
		START	Define the trigger for automatic leveling.

Level 1	Level 2	Level 3	Description Reference		
	MOTION.S. "Motion sensor"	CONTROL	Activate/deactivate the motion sensor.		
		NUM.GEST. "Number"	Define the number of possible gestures.		
		LEFT.CMD.	Define the function for the left gesture.		
		RIGHT.CMD.	Define the function for the right gesture.		
		UP.CMD.	Define the function for the up gesture.		
		DOWN.CMD.	Define the function for the down gesture.		
	EXTRAS		MENU	Lock or unlock the menu's configuration parameters.	
			SIGNAL	Set or deactivate the acoustic signal.	
			KEYS	Activate/deactivate the key lock.	
			ON MODE "Switch-on and switch-off options"	Configure the device's switch-on and switch-off options, e.g. switch between standby mode and operating mode.	
			LIGHTING	Activate/deactivate the lighting for the operating display.	
	DATA.OUTP. "Data output"	COM. SBI "SBI communication"	COM.OUTP.	Configure the automatic data output.	
			STOP.AUTO	Define whether the automatic data output can be stopped and started with the [Print] key.	
			AUTO.CYCL. "Time-dependent interval"	<ul style="list-style-type: none"> – Define an interval for the automatic data output. – Define whether data output takes place after an interval with or without balance stability. 	
			FORMAT	Define the data output format (characters per line).	
AUTO.TARE			Activate/deactivate automatic taring after the printout.		
PRNT.PARA. "Printout settings"				ACTIVATE "Triggers"	Define whether a printout is triggered via a software command or using the [Print] key.
				FORMAT	Define the format for the printout (characters per line).
				PRT.INIT. "Initializing"	Define the settings for printer initialization.
				GLP	Define the settings for the GLP printout.
				TAR./PRT. "Tare/print"	Activate/deactivate automatic taring after every print process.
	TIME	Define the time format.			
	DATE	Define the date display format.			
	PC.DIRECT Direct transfer of data (PC)			DEC.SEPAR.	Define the decimal separator character.
OUTP.FORM.			Define the output format for the data exchange between the balance and the PC.		
APPLIC. "Applications"	WEIGH (Factory setting)	UNIT	Activate/deactivate the "Toggle between weight units" function for all applications.		
	COUNT	RESOLUT.	Define the resolution of the weight value for the "Counting" application.		
		REF.UPDT. "Reference updating"	Activate/deactivate automatic reference updating for the "Counting" application.		

Level 1	Level 2	Level 3	Description Reference
	PERCENT "Weighing in percent"	DEC.PLCS "Decimal places"	Define the number of decimal places for the "Weighing in percent" application.
	NET-TOTL. "Net-total"	COMP.PRT. "Component printout"	Activate/deactivate the component printout for the "Net-total" application.
	TOTAL "Totalizing"	COMP.PRT. "Component printout"	Activate/deactivate the component printout for the "Totalizing" application.
	ANIMALW. "Animal weighing"	ACTIVITY "Animal activity"	Define the level of activity of the sample for the "Animal weighing" application.
		START	Define the trigger for starting the animal weighing.
	CALC. "Calculation"	METHOD	Define the method of calculation for the "Calculation" application.
		DEC.PLCS "Decimal places"	Define the number of decimal places for the "Calculation" application.
	DENSITY "Density determination"	DEC.PLCS "Decimal places"	Define the number of decimal places for the "Density determination" application.
	STATIST. "Statistics"	COMP.PRT. "Component printout"	Activate/deactivate the component printout for the "Statistics" application.
		TAR./STAT. "Tare/statistics"	Activate/deactivate automatic taring for the "Statistics" application.
UPDATE			Start a firmware update. The menu is only available if a USB mass storage device is connected.
INPUT	ID NO.		Save the entered ID number for the device.
	LOT ID		Activate/deactivate the prompt of the lot ID number before every data output.
	DATE		Set the date.
	TIME		Set the time.
	USER.PASS.		Set the user password.
	DEL.PASS.		Delete the user password. The menu is only available if a user password is set.
	SERV.PASS.		Activate the service mode.
	CAL.WT. "Calibration weight"		Define the value of the external user calibration weight.
INFO "Device information"	VERSION "Version number"		Display the software version number.
	SER. NO. "Serial number"		Display the device's serial number.
	MODEL		Display the device's model ID.
	APC VER.		Display the version of the APC processor.
	BAC VER.		Display the version of the BAC processor.
	MCU VER.		Display the version of the MCU processor.
	WPC VER. "Draft shield version"		Display the draft shield software version.
LANGUAGE			Change the menu language.

Overview of the "Toggle between weight units" Function

► Navigating in Menus (see Chapter 4.6, page 24).

Level 1	Description
Unit 1	Define the displayed weight unit and the resolution for the 1st convertible unit.
Unit 2	Define the displayed weight unit and the resolution for the 2nd convertible unit.
Unit 3	Define the displayed weight unit and the resolution for the 3rd convertible unit.
Unit 4	Define the displayed weight unit and the resolution for the 4th convertible unit.

4.6 Navigating the Menus

Procedure



► To access the settings menu: Press the [Menu] button.



► To scroll through all menus in the same level: Press the [Up] or [Down] button.



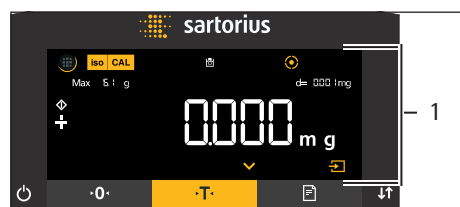
► To switch to the displayed menu level: Press the [Confirm] button on the keypad.
 ► To scroll through the configuration values: Press the [Up] or [Down] button.
 ► To select the configuration value shown in the display or the displayed application: Press the [Confirm] button on the keypad.



▷ The [Value] display identifies the selected configuration value or the selected application.



► To return to the next higher menu level: Press the [Back] button.
 ► To exit the settings menu: In the main menu level, press the [Back] button.



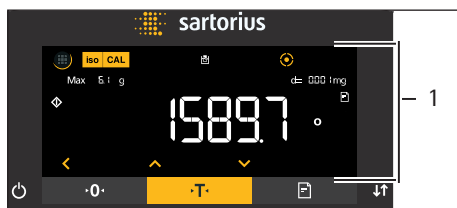
► If the start display (1) of a selected application is displayed:
 ► To start the application without changing the preset reference value: Press the [Confirm] button on the keypad.
 ► To change a reference value before starting the application, e.g. density value, divisor or reference quantity: Press the [Up] button.
 ▷ The reference value display is shown for the selected application.



► If a reference value with decimal places needs to be selected in the reference value display (1) of a selected application, e.g. "Density determination" or "Calculation" applications:
 ▷ The selected digit position flashes.
 ► Use the [Up] or [Down] button to change the value for the selected digit position.
 ► If a digit position other than the last digit position is selected: Press the [Confirm] button to select the next digit position.
 ► If a digit position other than the first digit position is selected: Press the [Back] button to select the previous digit position.
 ► If the last digit position is selected: Press the [Confirm] button to save the displayed reference value and start the application process.
 ► If the first digit position is selected: Press the [Back] button to delete the displayed reference value and return to the application's status display.



- ▶ If an integer reference value needs to be selected in the reference value display (1) of a selected application, e.g. "Weighing in percent" or "Animal weighing" applications:
 - ▶ Press the [Up] or [Down] button. This increases or decreases the reference value by 1.
 - ▶ Hold down the [Up] or [Down] button. This increases or decreases the reference value by 10.
 - ▶ To start the application: Press the [Confirm] button on the keypad.
 - ▶ To delete the displayed reference value and return to the application's status display: Press the [Back] button.



- ▶ If the results display (1) of a selected application is displayed:
 - ▶ To switch between the application results display and the set reference value display: Press the [Up] or [Down] button.
 - ▶ To exit the results, display and delete the set reference value and the result of the application: Press the [Back] button.

5 Installation

5.1 Scope of Delivery

Item	Quantity
Device	1
Weighing pan	1
For filter ultramicrobalances and microbalances: Filter weighing pan	1
For model MCA2.7S...: Shield disk	1
For model MCA2.7S...: Internal draft shield	1
Shield plate	1
Pan support	1
Power supply unit	1
Country-specific power supply cable with test seal	1
USB connection cable	1
In-use dust cover for control unit	1
In-use dust cover for the weighing module	1
Electronics module with power supply cable	1
Connection cable for electronics module	1

5.2 Selecting an Installation Site

Procedure

- Ensure that the following conditions are met at the installation site:

Condition	Features
Ambient conditions	Suitability tested (see Chapter "15.6 Ambient Conditions", page 67)
Setup surface	<p>Stable, even surface that is not exposed to vibrations</p> <p>Not directly against a wall</p> <p>Sufficiently dimensioned for the device and the peripheral devices (device space requirements see Chapter "15.1 Dimensions and Weight", page 65; peripheral device space requirements see instructions for the peripheral devices, e.g. printer)</p> <p>Sufficient load-bearing capacity for the device and the peripheral devices even when full (device weight see Chapter "15.1 Dimensions and Weight", page 65; weight of the peripheral devices see instructions for the peripheral devices, e.g. printer)</p>
Access	Barrier-free

5.3 Unpacking the Device

Procedure

- ▶ Lift the device in the Styrofoam padding out of the packaging.
- ▶ Place the device in the Styrofoam padding on its side.
- ▶ Lift the Styrofoam padding off the device.
- ▶ **NOTICE** Glass breakage due to the incorrect handling of the device! Only lift the device by its base.
- ▶ Place the device on its base.
- ▶ Keep all parts of the original packaging, e.g. to return the device.

5.4 Preparing Below-cell Weighing

The device can be configured for below-balance weighing. Samples can be suspended for weighing using below-balance weighing, e.g. samples, which do not fit on the weighing pan.

For below-balance weighing, the cover plate must be removed and the device set up on a weighing table with recess.

M

In legal metrology:

- Do **not** use the below-cell weighing equipment.
- Do **not** open the cover of the below-cell weighing equipment.

Tool: 1 Torx Allen key, T20

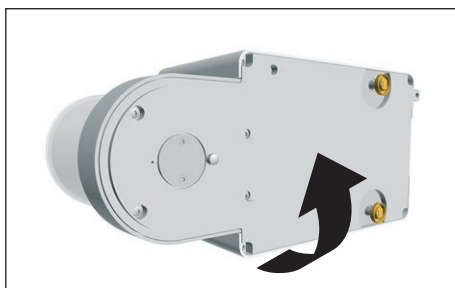
Material: 1 soft support base
1 draft protection shield
1 weighing table with recess

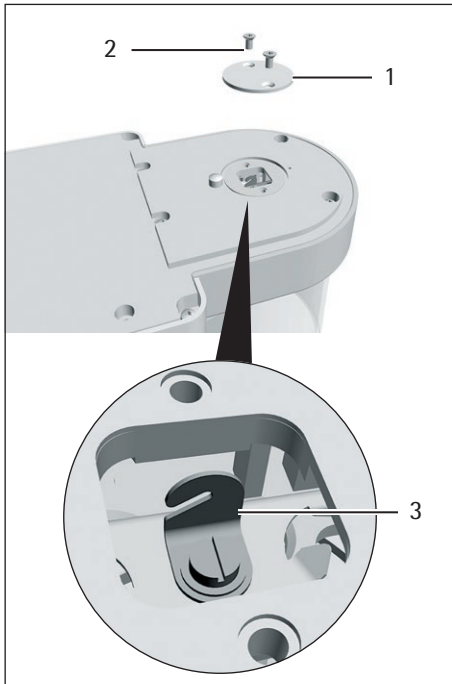
Requirements

- The draft shield has **not** been mounted.
- The weighing pan and the associated components have **not** been set up.

Procedure

- ▶ Turn the device on its side and place it on the soft support base.





- ▶ Unscrew both screws (2) from beneath the weighing module with the 1 Torx Allen key.
- ▶ Lift out the cover plate (1).
- ▶ Install a draft protection shield.

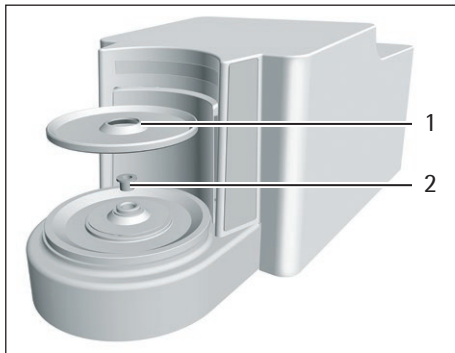
- ▶ Set up the device on the weighing table with recess. The hook for below-balance weighing (3) may not touch the weighing table.
- ▶ Install the draft protection shield.

- ▶ To cover the below-balance weighing equipment after weighing:
 - ▶ Insert cover plate and screw on with both screws.
 - ▶ Place the device back on the device base on a level surface.

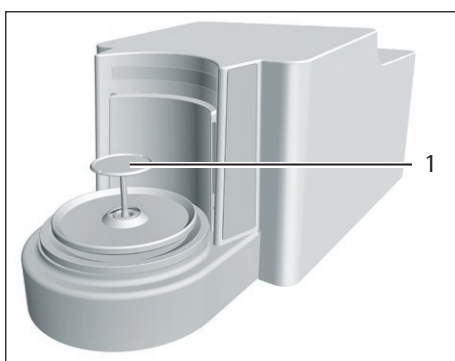
5.5 Installing a Microbalance with Glass Draft Shield

5.5.1 Positioning the Weighing Pan and Associated Components

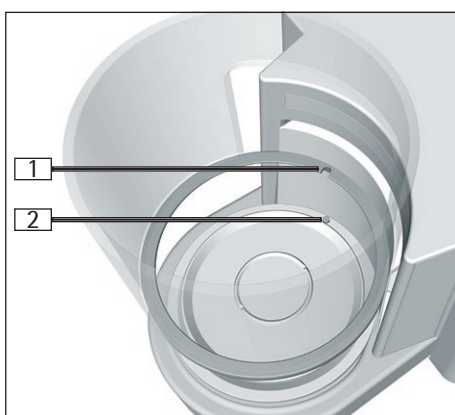
Procedure



- ▶ For a device with a connector: Place the connector (2) on the base of the weighing chamber.
- ▶ Place the shield plate (1) on the base of the weighing chamber.



- ▶ Place the weighing pan (1) through the opening in the weighing chamber into the pan retainer.
- ▶ To mount the weighing pan: Turn the weighing pan slightly while pressing down lightly.



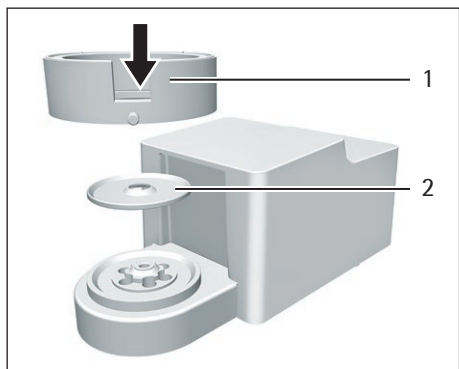
- ▶ For devices with an internal draft shield: Place the internal draft shield on a shield plate.
- ▶ Center and insert glass draft shield with recess (1) above the snap-in peg (2).

5.6 Installing a Filter Microbalance with a Metal Ring Draft Shield

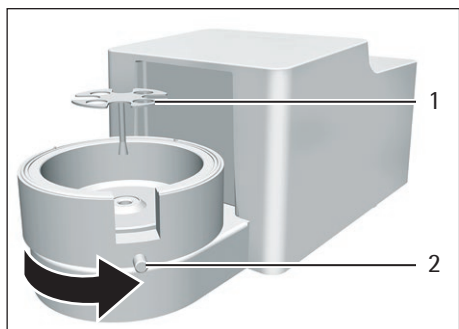
5.6.1 Inserting a Filter Pan or Weighing Pan and Associated Components

Procedure

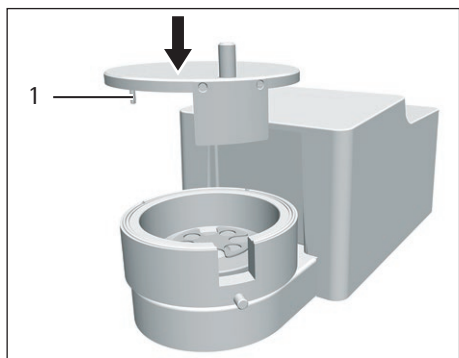
- ▶ For a device with a connector: Place the connector on the base of the weighing chamber.
- ▶ Place the shield plate (2) on the base of the weighing chamber.
- ▶ Place the draft shield (1) on the base of the weighing chamber. The inner metal ring of the draft shield must be inserted into the outer metal ring.



- ▶ Turn the opening of the draft shield in the direction of the arrows.
- ▶ To mount the draft shield: Turn the screw (2).
- ▶ Place the filter pan (1) or the weighing pan through the opening in the shield plate on the pan retainer.
- ▶ **BEWARE** The filter pan or weighing pan can be damaged due to improper assembly. To mount the inserted filter pan or weighing pan: Screw in the filter pan or weighing pan with slight pressure to make correctly position it in the pan retainer.



- ▶ Insert the pin (1) in the draft shield cover into the recess of the draft shield and screw on draft shield cover onto draft shield.



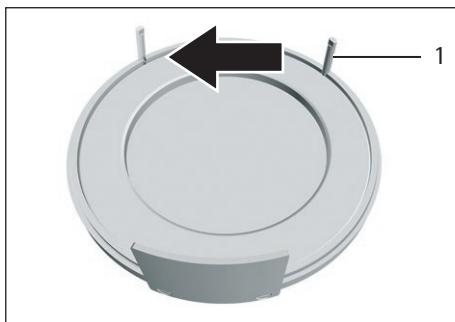
5.6.2 Optimizing a Filter Weighing Pan with a Metal Ring Draft Shield for Left-handed Users

Requirements

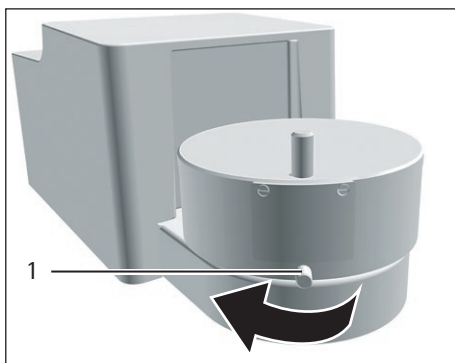
The metal ring draft shield has been mounted.

Procedure

- ▶ Lift the draft shield cover from the draft shield and turn.
- ▶ Unscrew bearing pin (1) from the underside of the draft shield cover and screw into the opening of the opposite side.



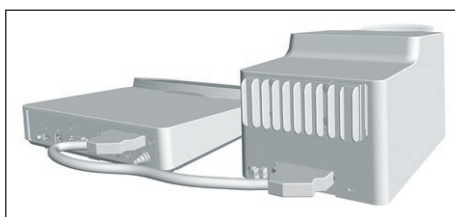
- ▶ Place the wind shield cover on wind shield.
- ▶ Loosen screw (1) on draft shield and turn draft shield in the direction of the arrows by 90°.
- ▶ Retighten the screw.



5.7 Connecting the Electronics Module

Procedure

- ▶ Connect the connection cable to the electronics module's weighing module connection.
- ▶ Connect the other end of the connection cable to the weighing module electronics module connection.
- ▶ To lock the connection cable: Lock the plugs of the connection cable onto both connections with two clicks in each case.
- ▶ **NOTICE** Damage to the device due to incorrect connection!
 - ▶ Check the correct fit of the plug contacts.
 - ▶ There should be **no** tension on the connection cable, e.g. do **not** install directly against a wall.



5.8 Acclimatization

When a cold device is brought into a warmer area: The temperature difference can lead to condensation of humidity in the device (moisture formation). Moisture in the device can lead to malfunctions.

- ▶ Allow the device to acclimatize for approx. 2 hours at the installation site. Ensure that the device is disconnected from the power supply during that time.

6 Getting Started

6.1 Connecting Electronic Components

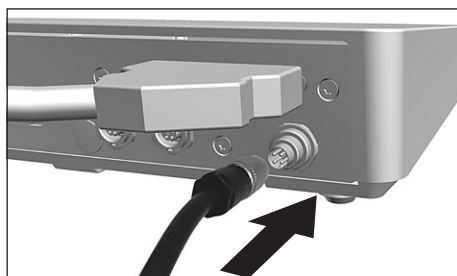
Procedure

- ▶ **NOTICE** Improper connection may damage the device! If the device is connected using electronic components, e.g. printer, PC: The device must be disconnected from the power supply. Ensure that the device is disconnected from the power supply.
 - ▶ Connect the device using electronic components (see electronic components instructions).

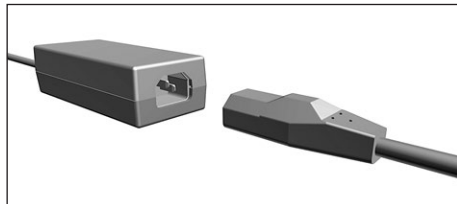
6.2 Installing the AC Adapter

Procedure

- ▶ Plug the DC supply cable of the AC adapter into the electronics module's "power supply" connection socket and tighten the threaded fitting.



- ▶ Connect the power supply cable to the AC adapter connection.



6.3 Connecting the Power Supply

Procedure

- ▶ **⚠ WARNING** Severe injuries caused by using a defective power supply cable! Check the power supply cable for damage, e.g., cracks in the insulation.
 - ▶ If required: Contact Sartorius Service.
- ▶ Check whether the country-specific power plug matches the power connections at the installation site.
 - ▶ If required: Contact Sartorius Service.
- ▶ **NOTICE** Damage to the device due to excessive input voltage! Check whether the voltage specifications on the AC adapter match those of the power supply at the installation site.
 - ▶ If the input voltage is too high: Do **not** connect the device to the power supply.
 - ▶ Contact Sartorius Service.
- ▶ Connect the mains plug of the power supply cable to the wall outlet at the installation site.
- ▷ The [BOOTING] display appears in the operating display.
- ▷ The device performs a self-test.
- ▷ The device performs an initial tare function.

7 System Settings

7.1 Performing System Settings

Default settings can be adjusted for the device and the applications in order to align with the ambient conditions and individual operating requirements.

The following settings are necessary to operate the device together with connected components:

- Set up the communication of the connected devices
- Set up additional components

The following settings are recommended to set up the device:

- Set the menu language
- Set the behavior of the isoCAL function
- Set the behavior of the motorized draft shield (only for devices with a motorized draft shield)

Procedure

- ▶ Press the [Menu] button.
- ▶ Open the desired settings menu.
- ▶ To adjust settings: Open the desired main menu and submenu.
- ▶ Select and confirm the desired configuration value (configuration values, see Chapter "7.3 Parameter List", page 34).
- ▶ Exit the menu.
- ▷ If settings have been adjusted in the "SETUP", "DEVICE", "DATA.OUTP." or "APPLIC." menu: The [BOOTING] display appears in the operating display and the device restarts.

7.2 Switching Off the isoCAL Function

M

If the isoCAL function is switched off for a conformity-assessed device, the device can only be used for legal-for-trade applications in restricted temperature ranges (see Chapter "15.6.2 Ambient Temperature for the isoCAL Function", page 67). The isoCAL function cannot be switched off for all model versions.

Procedure

- ▶ In the "SETUP"/"BALANCE" menu, for the "ISOCAL" parameter, select the "OFF" configuration value.

7.3 Parameter List

7.3.1 Parameters in the "Setup" Main Menu

Parameters in the "Balance" Submenu

Parameters	Setting values	Explanation
AMBIENT	V.STABLE	Sets the ambient conditions to "very stable": Activates a fast change in the weight values in the event of a load change with a high output rate. Recommended for the following work environment: <ul style="list-style-type: none"> – Very stable table near the wall – Closed and calm room
	STABLE*	Sets the ambient conditions to "stable". Recommended for the following work environment: <ul style="list-style-type: none"> – Stable table – Slight movement in the room – Slight draft
	UNSTABL.	Sets the ambient conditions to "unstable": Activates the delayed change in weight values with a reduced output rate. Recommended for the following work environment: <ul style="list-style-type: none"> – Simple office desk – Room with moving machinery or personnel – Slight air movement
	V.UNSTBL.	Sets the ambient conditions to "very unstable": Activates a significantly delayed change in the weight values and long wait for stability with a further reduction in the output rate. Recommended for the following work environment: <ul style="list-style-type: none"> – Noticeable and slow floor vibrations – Noticeable building vibrations – Weighed goods moved – Very strong air movements
APP FILT.	FINAL.RD.*	Activates a filter that enables a fast change in the display for very fast load changes. Display changes with minimal load changes (in the digit range) occur more slowly.
	FILLING	Activates a filter that enables a very fast change in the display with minimal load changes (e.g. when filling containers).
	REDUC.	Activates a weak but fast filter that always behaves in the same way for load changes (e.g. when filling automated systems).
	OFF	Deactivates the active application filter.
STABIL.	MAX ACC.	Sets the stability to "maximum accuracy".
	V. ACC.	Sets the stability to "very accurate".
	ACC.*	Sets the stability to "accurate".
	FAST	Sets the stability to "fast".
	V. FAST	Sets the stability to "very fast".
	MAX.SPEED	Sets the stability to "maximum speed".
ST.DEL.	NONE	Sets the stability delay to "none": The stability symbol is displayed after the stability criterion is reached.
	SHORT*	Sets the stability delay to "short": The stability symbol only appears after a short delay in order to provide a reliable result despite fluctuations.

* Factory setting

Parameters	Setting values	Explanation
	MEDIUM	Sets the stability delay to "medium": The stability symbol only appears after a longer delay in order to provide a reliable result in case of higher fluctuations.
	LONG	Sets the stability delay to "long": The stability symbol only appears after a long delay in order to balance out major instability.
ZERO/TAR.	W/O STB.	Without stability: The function of the [Zero] or [Tare] key is executed immediately once the key is pressed.
	W/ STAB.*	With stability: The function of the [Zero] or [Tare] key is only executed after stability is achieved.
	AT STAB.	At stability: The function of the [Zero] or [Tare] key is executed if stability exists when the key is pressed.
AUTOZER.	ON*	Activates automatic zeroing. The display is automatically set to zero in case of a deviation of 0 less than (X).
	OFF	Deactivates automatic zeroing. Zeroing must be triggered with the [Zero] key.
UNIT		The availability of units may depend on national legislation and is therefore country-specific.
	GRAMS*	The device displays the weight in grams.
	KILOGR.	The device displays the weight in kilograms (not for semi-microbalances).
	CARATS	The device displays the weight in carats.
	POUNDS	The device displays the weight in pounds (not for semi-microbalances).
	OUNCES	The device displays the weight in ounces.
	TROY OZ.	The device displays the weight in troy ounces.
	HKTAEL	The device displays the weight in taels (Hong Kong).
	SNGTAEL	The device displays the weight in taels (Singapore).
	TWNTAEL	The device displays the weight in taels (Taiwan).
	GRAINS	The device displays the weight in grains.
	PENYWT.	The device displays the weight in pennyweights.
	MILLIGR.	The device displays the weight in milligrams.
	CHINATAEL	The device displays the weight in taels (China).
	MOMMES	The device displays the weight in mommes.
	TOLA	The device displays the weight in tolas.
	BAHT	The device displays the weight in baht.
	MESGHAL	The device displays the weight in mesghals.
	NEWTON	The device displays the weight in newtons.
DISP.DIG.	ALL*	"Show all decimal places": All decimal places are shown in the display. Not available on conformity-assessed devices.
	LP.ON/OFF	"Reduced by 1 decimal place for load change": The last decimal place on the display is switched off until stability is achieved.
	DIVIS. 1	"Last decimal place of the 1st division": The last decimal place always shows the 1st division.
	MINUS 1	"Last decimal place off": The last decimal place is switched off.

* Factory setting

Parameters	Setting values	Explanation
CAL./ADJ.	EXT.CAL.	The [Adjust] button starts an external calibration with the preset calibration weight.
	E.CAL.USR.	The [Adjust] button starts an external calibration with the user-defined calibration weight value.
	INT.CAL.*	The [Adjust] button starts an internal calibration.
	INT.LIN.	The [Adjust] button linearizes the balance with the integrated weight (not for precision balance)
CAL.SEQ.	ADJUST*	Calibration and adjustment is one routine.
	CAL.-ADJ.	Adjustment must be started or exited manually after calibration with the [Adjust] button.
ON Z/T	ON*	Activates the initial taring/zeroing. The device is tared or zeroed after it is switched on.
	OFF	Deactivates the initial taring/zeroing: After it is switched on, the device shows the value before it was last switched off.
ISOCAL	OFF	Switches the isoCAL function off.
	NOTE TO	The [isoCAL] button flashes if the balance needs to be adjusted. The isoCAL function must be manually triggered with the [Adjust] button.
	ON*	Activates the isoCAL function. The device is automatically adjusted as soon as a trigger starts the isoCAL function.
	ON W/LIN. (only for semi-microbalances and analytical balances)	Activates the isoCAL and linearization function. The device is automatically adjusted and then linearized as soon as a trigger starts the isoCAL function.
CAL.UNIT	GRAMS*	Changes the calibration weight unit to grams.
	KILOGR.	Changes the calibration weight unit to kilograms.
* Factory setting		

Parameters in the "General Services" Submenu

Parameters	Setting values	Explanation
MEN.RESET	YES	Resets the system settings to the factory default settings.
	NO*	Deactivates the option of resetting the device menu.
* Factory setting		

7.3.2 Parameters in the "Device" Main Menu

Parameters in the "Extras" Submenu

Parameters	Setting values	Explanation
MENU	EDITABLE*	Activates write access: The menu parameters can be changed.
	RD.ONLY	Activates read access: The menu parameters cannot be changed.
SIGNAL	OFF	Switches the acoustic signal off.
	QUIET	Sets the volume of the acoustic signal to "quiet".
	MEDIUM*	Sets the volume of the acoustic signal to "medium".
	LOUD	Sets the volume of the acoustic signal to "loud".
KEYS	UNLOCKED*	Deactivates the key lock.
	LOCKED	Activates the key lock.
* Factory setting		

Parameters	Setting values	Explanation
ON MODE	ON/STDBY*	The [On/Off] key switches between on/standby.
	ON/OFF	The [On/Off] key switches between on/off.
	AUTO ON	Changes the function of the [On/Off] key: The device no longer switches off or to standby mode, instead it starts a boot process.
LIGHTING	OFF	Deactivates the lighting on the operating display.
	ON*	Activates the lighting on the operating display.

* Factory setting

Parameters in the "Draft Shield" Submenu (Only for Devices with a Motorized Draft Shield)

Parameters	Setting values	Explanation
CONTROL	OFF	Deactivates the motorized draft shield.
	ON*	Activates the motorized draft shield.
INT.ADJ.	NONE	The draft shield does not perform an action if an internal calibration/adjustment starts.
	CLOSE*	Draft shield closes if an internal calibration/adjustment starts.
SEN.L.MOT.	OFF*	Deactivates the left motion sensor of the gesture control for the draft shield.
	LOW	Sets the sensitivity of the left motion sensor of the gesture control to "low".
	MEDIUM*	Sets the sensitivity of the left motion sensor of the gesture control to "medium".
	HIGH	Sets the sensitivity of the left motion sensor of the gesture control to "high"
ACT.L.MOT.	OWN SITE*	The own (left) site of the draft shield is controlled by the left motion sensor of the gesture control.
	OPPOSITE	The opposite (right) site of the draft shield is controlled by the left motion sensor of the gesture control.
SEN.R.MOT.	OFF	Deactivates the right motion sensor of the gesture control for the draft shield.
	LOW	Sets the sensitivity of the right motion sensor of the gesture control to "low".
	MEDIUM*	Sets the sensitivity of the right motion sensor of the gesture control to "medium".
	HIGH	Sets the sensitivity of the right motion sensor of the gesture control to "high"
ACT.S.MOT.	OWN SITE*	The own (right) site of the draft shield is controlled by the right motion sensor of the gesture control.
	OPPOSITE	The opposite (left) site of the draft shield is controlled by the right motion sensor of the gesture control.
LIGHTING	OFF	Deactivates the lighting on the draft shield.
	DARK	Sets the brightness of the lighting of the draft shield to "dark".
	MEDIUM*	Sets the brightness of the lighting of the draft shield to "medium".
	BRIGHT	Sets the brightness of the lighting of the draft shield to "bright".

* Factory setting

Parameters in the "Leveling" Submenu

Parameters	Setting values	Explanation
LEVEL	OFF	The device does not display messages on the status of the level.
	NOTE*	The [LEVELING] display flashes if the device needs to be leveled.
	ERR.MSG.	The [LEVEL.ERR.] message appears in the operating display if the device has not been leveled.
START	KEY	Sets the trigger for leveling to "key": Leveling must be started manually by pressing the [Leveling] button.
	AUTO*	Sets the trigger for leveling to "automatic": The device automatically performs a leveling function using the integrated sensor before every internal calibration/adjustment.

* Factory setting

Parameters in the "Motion Sensors" Submenu

Parameters	Setting values	Explanation
CONTROL	OFF	Deactivates the motion sensor: No gestures are recognized.
	ON*	Activates the motion sensor.
NUM.GEST.	2 GESTUR.*	Activates the control of functions with 2 gestures. Gestures: Left, right
	4 GESTUR.	Activates the control of functions with 4 gestures. Gestures: Left, right, top, bottom
LEFT CMD.	PRINT*	Left command of the gesture control corresponds to the [Print] key.
	ZERO	Left command of the gesture control corresponds to the [Zero] key.
	TARE	Left command of the gesture control corresponds to the [Tare] key.
	D.SHIELD	Left command of the gesture control corresponds to the [Change] key.
	OPEN LFT.	Left command of the gesture control opens the left draft shield panel.
	OPEN RT.	Left command of the gesture control opens the right draft shield panel.
	OPEN TOP	Left command of the gesture control opens the upper draft shield panel.
	CLOSE DS.	Left command of the gesture control closes the entire draft shield.
	NONE	No function is assigned to the left command of the gesture control.
RIGHT.CMD.	PRINT*	Right command of the gesture control corresponds to the [Print] key.
	ZERO	Right command of the gesture control corresponds to the [Zero] key.
	TARE	Right command of the gesture control corresponds to the [Tare] key.
	D.SHIELD	Right command of the gesture control corresponds to the [Change] key.
	OPEN LFT.	Right command of the gesture control opens the left draft shield panel.
	OPEN RT.	Right command of the gesture control opens the right draft shield panel.
	OPEN TOP	Right command of the gesture control opens the upper draft shield panel.
	CLOSE DS.	Right command of the gesture control closes the entire draft shield.
	NONE	No function is assigned to the right command of the gesture control.
UP.CMD.	PRINT*	Upper command of the gesture control corresponds to the [Print] key.
	ZERO	Upper command of the gesture control corresponds to the [Zero] key.
	TARE	Upper command of the gesture control corresponds to the [Tare] key.
	D.SHIELD	Upper command of the gesture control corresponds to the [Change] key.
	OPEN LFT.	Upper command of the gesture control opens the left draft shield panel.
	OPEN RT.	Upper command of the gesture control opens the right draft shield panel.
	OPEN TOP	Upper command of the gesture control opens the upper draft shield panel.
	CLOSE DS.	Upper command of the gesture control closes the entire draft shield.
	NONE	No function is assigned to the upper command of the gesture control.

* Factory setting

Parameters	Setting values	Explanation
DOWN.CMD.	PRINT*	Lower command of the gesture control corresponds to the [Print] key.
	ZERO	Lower command of the gesture control corresponds to the [Zero] key.
	TARE	Lower command of the gesture control corresponds to the [Tare] key.
	D.SHIELD	Lower command of the gesture control corresponds to the [Change] key.
	OPEN LFT.	Lower command of the gesture control opens the left draft shield panel.
	OPEN RT.	Lower command of the gesture control opens the right draft shield panel.
	OPEN TOP	Lower command of the gesture control opens the upper draft shield panel.
	CLOSE DS.	Lower command of the gesture control closes the entire draft shield.
	NONE	No function is assigned to the lower command of the gesture control.

* Factory setting

Parameters in the "COM-RS232" Submenu

Parameters	Setting values	Explanations
DAT.REC.	SBI.WEIGH.	Enables a faster SBI communication, only for software commands to the weighing module.
	XBPI	Extended range of commands to control numerous balance functions with binary protocol for direct communication with the weighing module.
	SBI*	Enables SBI communication. The data is output to a PC or control unit. Enables the use of ESC commands from a PC to control the basic balance functions with ASCII protocol.
	OFF	Deactivates the automatic data output.
BAUD	600	Sets the baud rate to 600 baud.
	1200	Sets the baud rate to 1200 baud.
	2400	Sets the baud rate to 2400 baud.
	4800	Sets the baud rate to 4800 baud.
	9600*	Sets the baud rate to 9600 baud.
	19200	Sets the baud rate to 19200 baud.
	38400	Sets the baud rate to 38400 baud.
	57600	Sets the baud rate to 57600 baud.
PARITY	115200	Sets the baud rate to 115200 baud.
	ODD*	Applies an odd parity.
	EVEN	Applies an even parity.
STOPBIT	NONE	Does not apply a parity.
	1 BIT*	Sets the number of stop bits to 1.
HANDSHK.	2 BITS	Sets the number of stop bits to 2.
	SOFTWARE	Sets the handshake protocol to software handshake.
	HARDWARE*	Sets the handshake protocol to hardware handshake.
DATABIT	NONE	Does not set a handshake protocol.
	7 BITS	Sets the number of data bits to 7.
	8 BITS*	Sets the number of data bits to 8.

* Factory setting

Parameters in the "PC-USB" Submenu

Parameters	Setting values	Explanations
DAT.REC.	SBI.WEIGH.	Enables a faster SBI communication, only for software commands to the weighing module.
	XBPI	Extended range of commands to control numerous balance functions with binary protocol.
	SBI*	Enables SBI communication. The data is output to a PC or control unit. Enables the use of ESC commands from a PC to control the basic balance functions with ASCII protocol.
	PC.SPREAD.	Enables data output to a spreadsheet program via a direct PC connection.
	PC.TEXT	Enables a direct PC connection to be established to a text processing program.
	OFF	Deactivates the data output.
BAUD	600	Sets the baud rate to 600 baud.
	1200	Sets the baud rate to 1200 baud.
	2400	Sets the baud rate to 2400 baud.
	4800	Sets the baud rate to 4800 baud.
	9600*	Sets the baud rate to 9600 baud.
	19200	Sets the baud rate to 19200 baud.
	38400	Sets the baud rate to 38400 baud.
	57600	Sets the baud rate to 57600 baud.
	115200	Sets the baud rate to 115200 baud.
PARITY	ODD*	Applies an odd parity.
	EVEN	Applies an even parity.
	NONE	Does not apply a parity.
STOPBIT	1 BIT*	Sets the number of stop bits to 1.
	2 BITS	Sets the number of stop bits to 2.
HANDSHK.	SOFTWARE	Sets the handshake protocol to software handshake.
	HARDWARE	Sets the handshake protocol to hardware handshake.
	NONE*	Does not set a handshake protocol.
DATABIT	7 BITS	Sets the number of data bits to 7.
	8 BITS*	Sets the number of data bits to 8.

* Factory setting

Parameters in the "USB" Submenu

Parameters	Setting values	Explanation
DEV.USED	NONE*	Indicates that no device connection is detected at the USB port.
	[Device Designation]	Displays the designation of the devices connected to the USB port.

* Factory setting

7.3.3 Parameters in the “Data Output” Main Menu

Parameters in the “SBI Communication” Submenu

Parameters	Setting values	Explanations
COM. OUTP.	IND.NO*	Starts the data output after pressing the key or software command as an individual value without stability.
	IND.AFTER	Starts the data output after pressing the key or software command as an individual value without stability.
	IND.AT	Starts the data output after pressing the key or software command as an individual value at stability.
	AUTO W/O	Activates the automatic data output without stability.
	AUTO W/	Activates the automatic data output after stability.
STOP.AUTO	OFF*	Deactivates the option to abort the automatic data output.
	ON	The automatic data output is aborted by pressing the [PRINT] key or a software command.
AUTO.CYCL.	EACH VAL*	Starts the automatic data output with a cycle after each value.
	2. VALUE	Starts the automatic data output with a cycle after every 2nd value.
FORMAT	16 CHARS	16 characters per line are data output.
	22 CHARS	Data output provides 22 characters per line (16 characters for the measured values and 6 characters for identifiers).
	EXTR.LINE	Data output provides an additional line with the date, time, and weight value.
AUTO.TARE	OFF*	Deactivates automatic taring after data output.
	ON	The device automatically tares after data output.

* Factory setting

Parameters in the “Settings for Printouts” Submenu

Parameters	Setting values	Explanation
RESOLUT.	MAN. NO	Manual without stability: Print process can be started manually at any time.
	MAN.AFTER*	Manual after stability: After pressing the [Print] key, the print command is only executed once stability is achieved.
	MAN.AT	Manual at stability: Print process can be started manually when stability is achieved.
	AUTO.LC	Automatically at load change: Print process starts after every load change.
FORMAT	22 CHARS*	Printer output prints 22 characters per line (16 characters for the measured values and 6 characters for identifiers)
	EXTR.LINE	Printer output prints an additional line with the date, time, and weight value.
PRINT.INIT	OFF	Deactivates the output of the application parameters.
	ALL*	Print command prints all parameters.
	MAIN PAR.	Print command only prints the main parameters.
GLP	OFF*	Deactivates the GLP printout.
	CAL.-ADJ.	Activates the GLP printout for all calibration and adjustment processes.
	ALWAYS	The GLP printout is always switched on. All printouts contain a GLP header and a GLP footer.
TAR./PRT.	OFF*	Deactivates automatic taring after printer output.
	ON	Automatically tares the device after every printout.
TIME	24H	Sets the time to 24-hour mode.
	12H	Sets the time to 12-hour mode (AM/PM).
DATE	DD.MMM.YY*	Sets the date display format to DD.MMM.YY
	MMM.DD.YY	Sets the date display format to MMM.DD.YY

* Factory setting

Parameters in the "PC Direct Transfer" Submenu

Parameters	Setting values	Explanations
DEC.SEPAR.	DEC.POINT*	Sets a point as a decimal separator.
	DEC.COMMA	Sets a comma as a decimal separator.
OUTP.FORM.	TEXT+NUM.*	Exports text and numbers.
	ONLY NUM.	Only exports numbers.

* Factory setting

7.3.4 Parameters in the "Applications" Main Menu**Parameters in the "Weighing" Submenu**

Parameters	Setting values	Explanation
UNIT	ON*	Activates the "Toggle between weight units" function.
	OFF	Deactivates the "Toggle between weight units" function.

* Factory setting

Parameters in the "Counting" Submenu

Parameters	Setting values	Explanation
RESOLUT.	DISP.ACC.*	Sets the resolution to "display resolution". The "Counting" application is started with the displayed value.
	10-FOLD	Sets the resolution to 10-times more accurate than "display resolution".
	100-FOLD	Sets the resolution to 100-times more accurate than "display resolution".
REF.UPDT.	OFF*	Deactivates automatic reference sample updating.
	AUTO	Activates the automatic reference sample updating.

* Factory setting

Parameters in the "Weighing in Percent" Submenu

Parameters	Setting values	Explanation
DEC.PLCS	NONE	The result of the "Weighing in Percent" application is displayed without decimal places.
	1 DEC.PL.*	The result of the "Weighing in Percent" application is displayed to 1 decimal place.
	2 DEC.PL.	The result of the "Weighing in Percent" application is displayed to 2 decimal places.
	3 DEC.PL.	The result of the "Weighing in Percent" application is displayed to 3 decimal places.

* Factory setting

Parameters in the "Net-Total" Submenu

Parameters	Setting values	Explanation
COMP.PRT.	OFF	Deactivates the component printout.
	ON*	Activates the component printout.

* Factory setting

Parameters in the "Totalizing" Submenu

Parameters	Setting values	Explanation
COMP.PRT.	OFF	Deactivates the component printout.
	ON*	Activates the component printout.

* Factory setting

Parameters in the "Animal Weighing" Submenu

Parameters	Setting values	Explanation
ACTIVITY	CALM	Sets the intensity of the "Animal activity" to "calm". Recommended for minor movements of the sample, e.g. caused by placement on the weighing pan.
	MEDIUM*	Sets the intensity of the "Animal activity" to "medium". Recommended for medium movements of the sample, e.g. caused by placement on the weighing pan.
	V.ACTIVE	Sets the intensity of the "Animal activity" to "very active". Recommended for very active movements of the sample, e.g. caused by placement on the weighing pan.
START	MANUAL	The "Animal weighing" application must be manually selected in the start screen.
	AUTO*	Sets the trigger to start the "Animal weighing" application to "automatic".

* Factory setting

Parameters in the "Calculation" Submenu

Parameters	Setting values	Explanation
METHOD	MUL.*	Specifies multiplication as the method of calculation for the "Calculation" application.
	DIV.	Specifies division as the method of calculation for the "Calculation" application.
DEC.PLCS	NONE	The result of the "Calculation" application is displayed without decimal places.
	1 DEC.PL.*	The result of the "Calculation" application is displayed to 1 decimal place.
	2 DEC.PL.	The result of the "Calculation" application is displayed to 2 decimal places.
	3 DEC.PL.	The result of the "Calculation" application is displayed to 3 decimal places.

* Factory setting

Parameters in the "Density Determination" Submenu

Parameters	Setting values	Explanation
DEC.PLCS	NONE	The result of the "Density determination" application is displayed without decimal places.
	1 DEC.PL.*	The result of the "Density determination" application is displayed to 1 decimal place.
	2 DEC.PL.	The result of the "Density determination" application is displayed to 2 decimal places.
	3 DEC.PL.	The result of the "Density determination" application is displayed to 3 decimal places.
* Factory setting		

Parameters in the "Statistics" Submenu

Parameters	Setting values	Explanation
COMP.PRT.	OFF*	Deactivates the component printout.
	ON	Activates the component printout.
TAR./STAT.	OFF	Deactivates automatic taring after the components are saved.
	ON	Activates automatic taring after the components are saved.
* Factory setting		

7.3.5 Parameters in the "Input" Main Menu

Parameters	Setting values	Explanation
ID NO.	Maximum of 8 characters 09-0, A-Z, - , space	Saves the entered ID number for the device.
LOT ID	ON	Activates the prompt of the lot ID number during data output.
	OFF*	Deactivates the prompt of lot ID number during data output.
DATE		Saves the entered date.
TIME		Saves the entered time.
USER.PASS.	Maximum of 8 characters 09-0, A-Z, - , space	Saves the entered user password.
DEL.PASS.	YES	Deletes the entered user password.
	NO*	Does not delete the entered user password.
SERV.PASS.	Maximum of 8 characters 09-0, A-Z, - , space	Activates service mode.
CAL.WT.		Changes the calibration weight for the adjustment or calibration process with the user-defined weight value.
* Factory setting		

7.3.6 Parameters in the "Language" Main Menu

Parameters	Setting values	Explanation
Language	ENGLISH*	English
	DEUTSCH	German
	FRANCAIS	French
	ITALIANO	Italian
	ESPANOL	Spanish
	PORTUG.	Portuguese
	PYCKCKИИ	Russian
	POLSKI	Polish

* Factory setting

7.3.7 Parameters in the "Unit 1", "Unit 2", "Unit 3", and "Unit 4" Application Menus

Parameters	Setting values	Explanation
NONE*		The availability of units may depend on national legislation and is therefore country-specific.
		Switches the toggle between weight units off for this position.
GRAMS – NEWTON	NONE*	The configuration values for the [DISP.DIG.] parameter in the [BALANCE] menu are saved for the scale interval ([DISP.DIG.] parameter see 7.3, 34).
	ALL	"Show all decimal places": All decimal places are shown in the display.
	LP.ON/OFF	"Reduced by 1 decimal place for load change": The last decimal place on the display is switched off until stability is achieved.
	DIVIS. 1	"Last decimal place of the 1st division": The last decimal place always shows the 1st division.
	MINUS 1	"Last decimal place off": The last decimal place is switched off and the measured value is rounded up or down by one decimal place.

* Factory setting

8 Operation

8.1 Switching the Device On and Off

The device only delivers accurate values if it has reached the necessary operating temperature. The warm-up time after switching the device on must therefore be complied with.

Procedure

- ▶ Connect the device to the power supply.
 - ▶ If the device does not switch on automatically after it is connected to the power supply: Press the on key on the weighing module.
 - ▶ To allow the device to reach the necessary operating temperature to accurately determine the weight: Comply with the warm-up time of 2 hours after switching the device on.
- M

 - ▷ If this relates to a conformity-assessed device: The weight value is marked as invalid during the warm-up period.
 - ▶ **NOTICE** Damage to the device when disconnecting the weighing module and electronics module! The connection of the weighing module and the electronics module must not be disconnected during operation.
 - ▶ Level and adjust the device.
 - ▷ The device is ready for use.
 - ▶ **NOTICE** Pointed or sharp-edged objects may damage the operating display! Touching the operating display with objects, such as pens, may damage the touchscreen surface of the operating display. Only touch the operating display with your fingertips.
 - ▶ To switch the device off: Press and hold the [On/Off] key.

8.2 Leveling the Device

Leveling compensates any inclines at the device's installation site. Minor inclines can be compensated with the front leveling feet. If leveling is necessary: The level's air bubble is not located within the circle marking.
If leveling is necessary: The [Leveling] display flashes.

Procedure

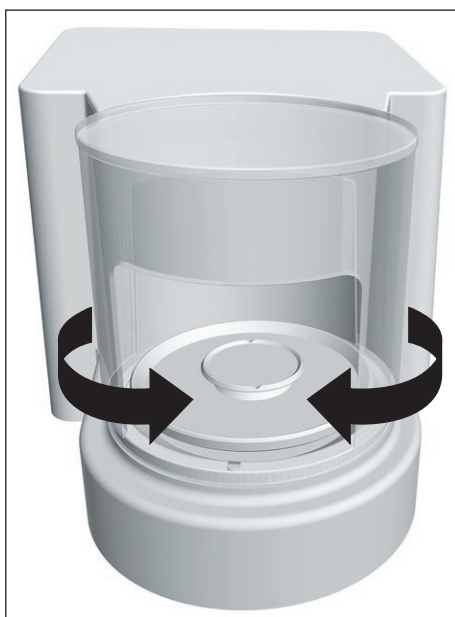
- ▶ Press the [Leveling] button.
- ▷ The [Leveling] display flashes
- ▷ The device levels itself automatically using the motorized leveling feet.

8.3 Opening and Closing the Motorized Draft Shield (Only for Devices with a Motorized Draft Shield)

By pressing the [Change] key enables the draft shield can be opened and closed motorized.

Procedure

- ▶ Switch on the device.
- ▶ If the draft shield is open: Close the draft shield.
- ▶ Press the [Change] key: The draft shield is opened or closed.



8.3.1 Defining the Opening Width

It can be determined how far the draft shield should open when pressing the [Change] key.

Procedure

- ▶ Manually push the draft shield open to the desired position.
- ▶ Press the [Change] key.
- ▷ The draft shield is closed.
- ▷ When pressing the [Change] key again: The draft shield is opened or closed.

8.4 Preparing Weighings

The device must be prepared before every weighing.

Requirements

The device is ready for use

NOTICE

Chemicals may damage the device or accessories!

Chemicals can attack the device or the connected accessories internally and externally. This may damage the device and accessories.

- ▶ Use appropriate containers when weighing chemicals.
-

Procedure

- ▶ Level the device.
- ▶ Zero the device for calibration. To do so, press the [Zero] key.
- ▶ If the device **cannot** be zeroed: Remove the sample to be weighed and re-zero the device.
- ▶ Calibrate the device.

8.5 Weighing

Procedure

- ▶ Zero the device.
- ▶ If necessary, place a container for the sample on the device.
- ▶ To compensate the weight of the container: Tare the device. To do so, press the [Tare] key.
- ▶ If a container is used for the sample: Place the sample in the container.
- ▶ If **no** container is used for the sample: Place the sample on the weighing pan.
- ▶ Once the weight value no longer changes and the weighing unit is displayed: Read off the measured value.

8.6 Overview of Calibration, Adjustment, and Linearization

During calibration, a calibration weight is used to determine how much the displayed value deviates from the actual value. This deviation is compared against a preset target value. The subsequent adjustment eliminates this deviation. During linearization, the deviation of the values from the ideal characteristic curve is corrected.

Calibration and adjustment must be performed regularly:

- Daily, every time the device is switched on
- After every leveling
- After changing the ambient conditions (temperature, humidity, or air pressure)
- After setting the device up at a new installation site

Calibration and adjustment may be performed in different ways:

- Adjusting with the isoCAL function
- Internal or external calibration or adjustment
- For semi-microbalances and analytical balances: Internal linearization



Only internal calibration/adjustment is possible for all conformity-assessed devices in legal metrology.

8.7 Adjusting with the isoCAL Function

The device can be automatically internally calibrated and adjusted using the isoCAL function.

Requirements

- The device is **not** located in the menu.
- Alphanumeric inputs are **not** active.
- The load on the weighing pan remains unchanged for 2 minutes.
- The load on the weighing pan amounts to no more than 2% of the maximum load.
- The device does **not** register an input for 2 minutes.

If all requirements for starting the isoCAL function are met and one of the following conditions occurs: The isoCAL function is automatically triggered.

Possible conditions are:

- The ambient temperature has changed since the last adjustment/calibration.
- The interval time was exceeded (interval time, see Chapter "15.8 Recommended Calibration Weight", page 69).
- The device has been leveled.
- The device has been disconnected from the power supply since the last adjustment/calibration (only for conformity-assessed models).

Procedure

- ▶ If the isoCAL auto-start function is set (configuration values for the "ISOCAL" parameter, see Chapter "7.3.1 Parameters in the "Setup" Main Menu", page 34):
 - ▷ If the isoCAL function is triggered according to the aforementioned conditions: The [isoCAL] button flashes in the operating display.
 - ▷ In the operating display, a time display counts down from 15 seconds to 0.
 - ▷ If **no** load change or **no** operation takes place on the device before the expiration of the time display: The isoCAL function starts.
- ▶ If the isoCAL manual start function is set (configuration values for the "ISOCAL" parameter, see Chapter "7.3.1 Parameters in the "Setup" Main Menu", page 34):
 - ▷ If the isoCAL function is triggered: The [isoCAL] button flashes in the operating display.
 - ▶ Press the [isoCAL] button.
 - ▷ The isoCAL function starts.

8.8 Internally Calibrating and Adjusting the Device

Calibration and Subsequent Adjustment

Requirements

- The weighing pan is unloaded.
- The operating display shows a stable weight value.

Procedure

- ▶ To set the internal adjustment in the menu: In the "SETUP"/"BALANCE" menu, for the "CAL./ADJ." parameter, select the "INT.CAL." configuration value.
- ▶ To set the sequence of the adjustment function to calibration and subsequent automatic adjustment: In the "SETUP"/"BALANCE" menu, for the "CAL.SEQ." parameter, select the "ADJUST" configuration value.
- ▶ Exit the menu.
- ▶ Press the [Zero] key.
- ▶ To start the internal calibration/adjustment: Press the [Adjust] button.
- ▶ If automatic leveling is set for a model with motorized adjusting feet: The device levels itself automatically.
- ▷ The internal calibration weight is loaded.
- ▷ The [CAL.RUN.] display appears in the operating display during calibration.
- ▷ The device is automatically calibrated and the internal calibration weight is removed.
- ▷ The [CALEND] display indicates the end of calibration.

Manually Starting Adjustment after Calibration

Requirements

- The weighing pan is unloaded.
- The operating display shows a stable weight value.

Procedure

- ▶ To set the internal adjustment in the menu: In the "SETUP"/"BALANCE" menu, for the "CAL./ADJ." parameter, select the "INT.CAL." configuration value.
- ▶ To set the sequence of the adjustment function to calibration without subsequent automatic adjustment: In the "SETUP"/"BALANCE" menu, for the "CAL.SEQ." parameter, select the "CAL/ADJUST" configuration value.
- ▶ Exit the menu.
- ▶ Press the [Zero] key.
- ▶ To start the internal calibration: Press the [Adjust] button.
- ▶ If automatic leveling is set for a model with motorized adjusting feet: The device levels itself automatically.
- ▷ The internal calibration weight is loaded.
- ▷ The [CAL.RUN.] display appears in the operating display during calibration.
- ▷ The calibration weight value is shown.
- ▶ To start adjustment: Press the [Confirm] button on the keypad.
- ▷ The device is calibrated and the internal calibration weight is removed.
- ▷ The [CALEND] display indicates the end of calibration.

8.9 Externally Calibrating and Adjusting the Device (Not for Conformity-assessed Models)

External Calibration with Factory Set Weight Value

Procedure

- ▶ In the "SETUP"/"BALANCE" menu, for the "CAL./ADJ." parameter, select the "EXT.CAL." configuration value.

Set the User-defined Weight Value

A weight value can be set for the calibration weight. This user-defined weight value is used for the external calibration.

If no user-defined weight value is set: The preset weight value is used.

Procedure

- ▶ In the "INPUT" menu, select the "CAL.WT." configuration value.
- ▶ Enter and confirm the desired weight value.
- ▶ To use the user-defined weight value for the next calibration: In the "Balance" menu, for the "CAL./ADJ." parameter, select the "E.CAL.USR." configuration value.

Calibration and Subsequent Adjustment

Requirements

- When using a filter microbalance: No weighing pan is on the scale.
- The weighing pan is unloaded.
- The operating display shows a stable weight value.
- The device is not locked against external calibration.
- Keep calibration weight ready for use.

Procedure

- ▶ To set the external calibration in the menu: In the "SETUP"/"BALANCE" menu, for the "CAL./ADJ." parameter, select external calibration with preset calibration weight or external calibration with user-defined calibration weight as described above.
- ▶ To set the sequence of the adjustment function to calibration and subsequent automatic adjustment: In the "SETUP"/"BALANCE" menu, for the "CAL.SEQ." parameter, select the "ADJUST" configuration value.
- ▶ Exit the menu.
- ▶ Press the [Zero] key.
- ▶ Press the [Adjust] button.
- ▶ If automatic leveling is set for a model with motorized adjusting feet: The device levels itself automatically.
- ▶ Place the indicated calibration weight on the balance. The device is automatically adjusted after calibration, if the calibration weight placed on the device is within the specified limits.
 - ▷ The [+] sign is shown if the applied weight is too high.
 - ▷ The [-] sign is shown if the applied weight is too low.
- ▷ The [CAL.END] message indicates the end of calibration.
- ▶ Remove the calibration weight after calibration is complete.

Manually Starting Adjustment after Calibration

Requirements

- When using a filter microbalance: No weighing pan is on the scale.
- The weighing pan is unloaded.
- The operating display shows a stable weight value.
- The device is not locked against external calibration.

Procedure

- ▶ To set the external calibration in the menu: In the "SETUP"/"BALANCE" menu, for the "CAL./ADJ." parameter, select external calibration with preset calibration weight or external calibration with user-defined calibration weight as described above.
- ▶ To set the sequence of the adjustment function to calibration without subsequent automatic adjustment: In the "SETUP"/"BALANCE" menu, for the "CAL.SEQ." parameter, select the "CAL/ADJUST" configuration value.
- ▶ Exit the menu.
- ▶ Press the [Zero] key.
- ▶ Press the [Adjust] button.
- ▶ If automatic leveling is set for a model with motorized adjusting feet: The device levels itself automatically.
- ▶ Place the indicated calibration weight on the balance. The calibration can only be started, if the calibration weight used is within the defined limits.
 - ▷ The [+] sign is shown if the applied weight is too high.
 - ▷ The [-] sign is shown if the applied weight is too low.
- ▶ Press the [Confirm] button on the keypad. This starts the calibration.
- ▷ The [CAL.END] display indicates the end of calibration.
- ▶ Remove the calibration weight after calibration is complete.

8.10 Printing Results

The results of the calibration can be printed in a GLP printout.

Procedure

- ▶ Set the GLP printout in the menu (setting parameters, see Chapter "Parameters in the "Settings for Printouts" Submenu", page 41):
- ▶ Calibrate the device.
- ▷ Once the calibration is complete:
 - ▷ The printing process starts.
 - ▷ The GLP footer is printed.

8.11 Weighing and Printing with ID Marking

The device and every lot can be assigned an ID number. The ID numbers are provided in the GLP header during GLP-compliant printing.

Requirements

- The ID marking is entered in the menu, e.g. "BATCH1" (see Chapter "7.3.5 Parameters in the "Input" Main Menu", page 44).
- The printing of the lot ID line in the GLP printout is activated in the menu (see Chapter "7.3.5 Parameters in the "Input" Main Menu", page 44).
- The GLP-compliant printout is activated (see Chapter "7.3.5 Parameters in the "Input" Main Menu", page 44).
- The format for the printout is set to 22 characters per line (configuration parameters, see Chapter "7.3.3 Parameters in the "Data Output" Main Menu", page 41).

Procedure

- ▶ Start the printout. To do so, press the [Print] key.
- ▶ The GLP header is printed with the ID marking set in the menu and the current weight value.
- ▶ The [GLP] button appears in the operating display.
- ▶ To exit the GLP printout: Press the [GLP] button.
- ▷ The GLP footer is printed.

```

-----
23-Apr-2018      13:06
      Sartorius
Mod.             MCE6.6S
Ser. no.         12345678
Ver.  09-05-00.09.01
ID               CHARGE01
-----
L ID
G      +      50.120 mg
-----
23-Apr-2018      13:07

```

8.12 Running Applications (Examples)

8.12.1 Executing the "Toggle Between Weight Units" Function

The "Toggle between weight units" function enables a switch between the basic unit display and up to 4 other units. The units can be set during the weighing process and the decimal places can be adjusted.

The basic unit is displayed every time the device is started.

Procedure

- ▶ To activate the "Toggle between weight units" function in the menu: In the "BALANCE" menu, for the "UNIT" parameter, select the "ON" configuration value.
- ▶ Exit the settings menu.
- ▷ The device boots up.
- ▶ To select the convertible units:
 - ▶ If this relates to a device with a motorized draft shield: Press and hold down the [Toggle between weight units] button.
 - ▶ If this relates to a device without a motorized draft shield: Press and hold down the [Toggle between weight units] button of the [Change] key.
- ▶ The "Toggle between weight units" function menu opens.
- ▶ Select a submenu from "Unit 1" – "Unit 4".
- ▶ Select the desired unit and confirm the display (available units, see Chapter "7.3.7 Parameters in the "Unit 1", "Unit 2", "Unit 3", and "Unit 4" Application Menus", page 45).
- ▶ To set the number of display digits for the selected unit: Press the "Confirm" button (configuration parameters, see Chapter "7.3.7 Parameters in the "Unit 1", "Unit 2", "Unit 3", and "Unit 4" Application Menus", page 45).
- ▶ Select the desired number of display digits and confirm the selection.
- ▶ Exit the "Toggle between weight units" function menu.
- ▶ To switch the displayed mass unit during weighing or before starting an application:
 - ▶ If this relates to a device with a motorized draft shield: Press the [Toggle between weight units] button multiple times if necessary, until the desired unit is displayed.
 - ▶ If this relates to a device without a motorized draft shield: Press the [Toggle between weight units] button or the [Change] key multiple times if necessary, until the desired unit is displayed.
- ▷ The current weight value is displayed in the selected unit.

8.12.2 Running the "Statistics" Application

The "Statistics" application saves up to 99 weight values and evaluates these statistically.

The following values are saved and exported by the statistics application:

- Number of components
- Mean value
- Standard deviation
- Variation coefficient
- Sum of all values
- Lowest value (minimum)
- Highest value (maximum)
- Spread: Difference between maximum and minimum

The "Statistics" application can be combined with the following functions:

- Toggle between weight units only available before starting the application
- ID marking
- Automatic taring

```

-----
Comp01+      100.22 mg

```

```

Comp02+      100.21 mg

```

```

-----
n              6
x          + 100.258 mg
s          +   0.037 mg
sRel       +   0.04 %
Sum        + 601.55 mg
Min        + 100.21 mg
Max        + 100.31 mg
Diff       +   0.10 mg
-----

```

Procedure

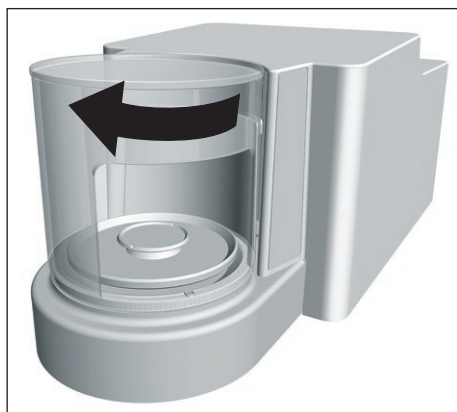
- ▶ Select the Statistics application in the "APPLIC." menu.
 - ▶ Exit the settings menu.
 - ▶ Place a sample on the weighing pan.
 - ▶ Change the displayed weight unit if necessary.
 - ▶ To start the recording of the statistics: Press the [Confirm] button on the keypad.
 - ▶ The current weight value is saved.
-
- ▶ To save the next value:
 - ▶ Remove the sample on the weighing pan.
 - ▶ Place a new sample on the weighing pan and press the [Confirm] button.
 - ▶ To switch between the display of the current weight value, the number of saved components, and the calculated mean in the results display: Press the [Up] or [Down] button.
 - ▶ To print and exit the current statistics, and to delete the saved values: Press the [Back] or [GLP] button.

9 Cleaning and Maintenance

9.1 Preparing the Device

Procedure

- ▶ Turn the device off.
- ▶ Disconnect the device from the power supply.
- ▶ Open the draft shield.



9.2 Cleaning the Device

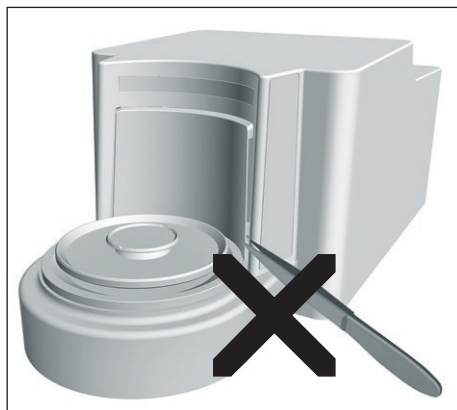
NOTICE

Corrosion or damage to the device due to unsuitable cleaning agents!

- ▶ Do **not** use corrosive, chloride-containing, or aggressive cleaning agents.
- ▶ Do **not** use cleaning agents that contain abrasive ingredients, e.g. scouring agents, steel wool.
- ▶ Do **not** use solvent-based cleaning agents.
- ▶ Check whether the cleaning agents used are compliant materials (see Chapter "15.3 Materials", page 66).
- ▶ Make sure that cleaning materials, such as cloths, are only slightly damp.

Procedure

- ▶ **NOTICE** Damage to the device due to an unsuitable tool! The weighing system is hermetically separated from the area of the draft shield plate. This area must **not** be cleaned. This **prevents** dirt from entering.
- ▶ **NOTICE** Malfunction or damage to the device due to the ingress of moisture or dust!
 - ▶ Remove dust and powdery sample residue with a brush or hand-held vacuum cleaner.
 - ▶ Use blotting paper to remove any liquid sample material.
- ▶ **NOTICE** Corrosion or damage to the weighing pan due to unsuitable cleaning agents
 - ▶ Wipe down the weighing pan and the shield plate with a cleaning agent and a cloth. The cleaning agent must be suitable for stainless steel and titanium.





- ▶ Wipe the associated components of the weighing pan with a brush or a damp cleaning cloth, e.g. shield plate, support pan.
- ▶ Wipe the device housing with a damp cloth. For more severe contamination, use a mild soap solution.

Tip

We recommend cleaning the weighing pan on a regular basis, e.g. weekly. Do not allow deposits to form on the weighing pan.

Protective oil may be applied to the weighing pan for additional protection. The protective oil must be suitable for stainless steel and titanium.

9.3 Assembling and Connecting the Device

Procedure

- ▶ Re-insert all components into the device (for insertion, see Chapter "5.5 Installing a Microbalance with Glass Draft Shield", page 29, Chapter "5.6 Installing a Filter Microbalance with a Metal Ring Draft Shield", page 30).
- ▶ Re-connect the device to the power supply (see Chapter "6.3 Connecting the Power Supply", page 32).

9.4 Maintenance Schedule

Interval	Component	Action	Chapter, page
Monthly to every 2 years, depending on the operating conditions	Entire system	Contact Sartorius Service	17, 72

9.5 Performing a Software Update

A software update can be installed from a USB mass storage device using the device's USB-A connection.

Requirements

- The device is switched on.
- The software update is saved on a USB mass storage device.

Procedure

- ▶ Download the software update from the Sartorius website onto the USB mass storage device.
- ▶ If this relates to a zip file: Unzip the software update on the stick.
- ▶ Insert the USB mass storage device with the software update into the device's USB-A connection.
- ▶ Access the configuration menu and select the [UPDATE] main menu.
- ▶ In the [UPDATE] main menu, select the [EXECUTE?] parameter.
- ▷ The [COPYING] display appears in the operating display.
- ▷ The [REBOOT] display appears in the operating display and the device restarts.
- ▷ The [UNPACK] display appears in the operating display.
- ▷ The [RESTART] display appears in the operating display and the device restarts.
- ▷ During the restart, the [CHECK.APC] display appears first. The [PROG APC] display then appears in the operating display for about 2 minutes.
 - ▶ Do **not** switch off the device!
- ▷ The device confirms successful installation with the [PROG OK] display.
- ▷ All identified components are updated with the new firmware.
- ▷ The device confirms the end of the installation process with the [FINISH] display.
- ▷ The device restarts.
- ▷ The device is ready for use.

10 Malfunctions

10.1 Status Messages

Status Message	Fault	Cause	Remedy	Chapter, page
OLDER?	If a USB mass storage device with a software update is connected: The device detects an obsolete update version.	The software update version is older than the software version on the device.	To perform the update anyway: Confirm the display.	
LOCKED	A software update is to be installed on a conformity-assessed device.	Software updates are not permitted for conformity-assessed devices.	If the software update has received corresponding approval: The software update can be uploaded into the device by Sartorius Service. Re-verification may then be necessary.	
INVALID.	If a USB mass storage device with a software update is connected: The device cannot find a valid update.	No valid manufacturer software updates exist on the connected USB mass storage device.	Check whether files exist on the USB mass storage device. Procure the software update files from Sartorius Service.	
The LED strip on the weighing module is illuminated in orange.	The device displays an error message.	The device has detected a fault.	Rectify the error shown in the operating display.	

10.2 Warning Messages

Warning Message	Fault	Cause	Remedy	Chapter, page
APP.ERR.	The device has measured an invalid weight value.	The applied weight is too low. The weight value is negative. No sample has been placed on the balance.	Increase the applied weight to more than the minimum load. Place the sample on the balance.	
DIS.ERR.	The value to be output cannot be shown in the operating display.	The data to be displayed is not compatible with the set display format.	Adjust the display settings in the menu, e.g. resolution, unit, decimal places.	
HIGH	The device is overloaded.	The device's maximum weighing capacity has been exceeded	Reduce the applied weight to below the device's maximum weighing capacity.	
LEVEL.ERR.	The device is not measuring a weight value.	The device is not leveled.	Level the device.	8.2, 46

Warning Message	Fault	Cause	Remedy	Chapter, page
LOW	The modulation of the weighing converter inside the weighing module is too low.	No weighing pan has been placed on the balance. A previously forgotten weight was removed after starting the device.	Insert the weighing pan into the device and switch the device off and on again.	
ERR 54		An error exists in the weighing system or in the device electronics.	Contact Sartorius Service.	
CHK.ERR.	The internal storage medium is faulty.	A memory error exists in the firmware.	Perform a software update. If the problem occurs again: Contact Sartorius Service.	9.5, 58
COMM.ERR.	The device is not receiving any weight values.	No communication exists between the control unit and the weighing module.	Wait until the control unit restores the communication with the weighing module. If the problem occurs again: Contact Sartorius Service.	
ELISE.ERR.	No communication with the inclination sensor.	A memory error exists in the firmware.	Switch the device off and on again. If the problem occurs again: Contact Sartorius Service.	
MOTOR.ERR.	The device cannot be leveled.	The device's incline is too great or a motorized foot is defective.	Change the installation site. If the problem occurs again: Contact Sartorius Service.	
PRT.ERR.	The [Print] key is locked.	The data interface for print output is set to xBPI mode.	Reset the menu to the factory settings. If the problem occurs again: Contact Sartorius Service.	
SYS.ERR.	The system data is faulty.	A memory error exists in the control unit.	Switch the device off and on again. If the problem occurs again: Contact Sartorius Service.	
ERR 02	The device cannot be calibrated when starting the calibration function due to a zero point error.	The device was not tared or zeroed before calibration. The device is loaded.	Tare or zero the device. Check the preload and set if necessary. Remove the sample from the weighing pan.	
ERR 10	Taring is not possible.	The device cannot be manually tared because an application program has the tare memory reserved.	To release the tare memory: Exit the application program with the [Back] button.	
ERR 11	The weight value cannot be saved in the tare memory.	The weight value is negative or "zero".	Check the sample being weighed. Zero the device before placing the sample on the balance if necessary.	

Warning Message	Fault	Cause	Remedy	Chapter, page
ERR 520 to ERR 527	The component replacement is faulty. The software update could not be completed.	The firmware versions of the available components do not match.	Check the device's firmware. Perform a software update. If the problem occurs again: Contact Sartorius Service.	9.5, 58

10.3 Troubleshooting

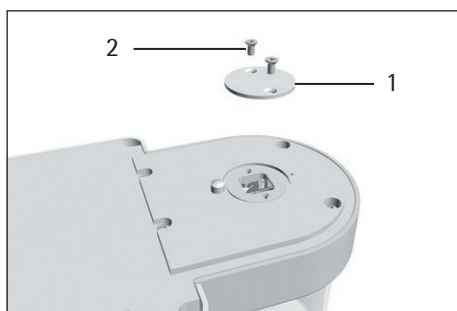
Fault	Cause	Remedy	Chapter, page
The operating display is blank.	The device is disconnected.	Check the connection to the power supply.	6.3, 32
	The AC adapter is not connected.	Connect the power supply cable to the power supply.	6.3, 32
The displayed weight value changes constantly.	The installation site is unstable.	Adjust the parameter for the ambient conditions. Change the installation site.	5.2, 26
	A foreign object is positioned between the weighing pan and the housing.	Remove the foreign object.	
The weight readout displayed by the device is obviously wrong.	The device was not calibrated.	Calibrate the device.	
	The device was not tared before weighing.	Tare the device.	
The [Leveling] display flashes.	The device must be leveled.	Level the device.	8.2, 46
For a conformity-assessed device: The [Invalid weight value] display appears.	The cause of this fault is displayed after pressing the [Change] key. At the same time, the "Toggle between weight units" function is locked.		
	– LEVEL.ERR.: The device must be leveled.	Level the device.	8.2, 46
	– ISOCAL.ERR.: The device must be calibrated.	Calibrate the device.	
	– WARMUP.xx.: The device is in the warm-up phase and has not yet reached its operating temperature. xx = remaining time in minutes	Comply with the warm-up time after switching the device on.	8.1, 46
	– VALUE.ERR.: The displayed value is invalid.	Set the device to zero.	

11 Decommissioning

11.1 Decommissioning the Device

Procedure

- ▶ Turn the device off.
- ▶ Disconnect the device from the power supply.
- ▶ Disconnect the device from all connected devices and all accessories, e.g. printer or electronics module.
- ▶ Clean the device (see Chapter "9.2 Cleaning the Device", page 56).
- ▶ If below-balance weighing has been set up:
 - ▶ Turn the device on its side and place it on the soft support base.
 - ▶ Insert cover plate (1) and screw on with both screws (2).
 - ▶ Place the device back on the device base on a level surface.



12 Transport

12.1 Transporting the Device

Procedure

- ▶ **⚠ CAUTION** Risk of injury from breaking glass! Glass components can break if they fall or are handled incorrectly. Glass fragments can cause cuts.
 - ▶ Only lift the device by its base, **not** by the draft shield.
- ▶ When lifting and transporting, ensure that **no** personnel or objects are in the way.
- ▶ Get help from additional persons when lifting and transporting the device.
- ▶ Use suitable conveyance devices, e.g., trolleys, for long transport routes.



13 Storage and Shipping

13.1 Storage

Procedure

- ▶ Turn the device off.
- ▶ Disconnect the device from the power supply.
- ▶ Disconnect the device from all connected devices and all accessories, e.g. printer.
- ▶ Clean the device (see Chapter "9.2 Cleaning the Device", page 56).
- ▶ Store the device according to the ambient conditions (see Chapter 15.6, page 67).

13.2 Returning Device and Parts

Defective devices or device components can be returned to Sartorius. Returned devices must be clean, decontaminated, and properly packed, e.g. in the original packaging.

Transport damage as well as measures for subsequent cleaning and disinfection of the device or device components by Sartorius shall be charged to the sender.

WARNING

Risk of injury due to contaminated devices!

Devices contaminated with hazardous materials (nuclear, biological, or chemical – NBC) will **not** be accepted for repair or disposal.

- ▶ Observe the information on decontamination (see Chapter 14.1, page 64).
-

Procedure

- ▶ Disconnect the device from the power supply.
- ▶ Disconnect the device from all connected devices and all accessories, e.g. printer.
- ▶ Clean the device.
- ▶ Contact Sartorius Service for instructions on how to return devices or device components (please refer to www.sartorius.com for return instructions).
- ▶ Pack the device and the device components properly for return, e.g. in the original packaging.

14 Disposal

14.1 Information on Decontamination

The device does **not** contain any hazardous materials that would necessitate special disposal actions.

Contaminated samples used during the process are potentially hazardous materials that could cause biological or chemical hazards.

If the device has come into contact with hazardous substances: Steps must be taken to ensure proper decontamination and declaration. The operator is responsible for adhering to local government regulations on the proper declaration of transport and disposal and the proper disposal of the device.

WARNING

Risk of injury due to contaminated devices!

Devices contaminated with hazardous materials (NBC contamination) will **not** be accepted by Sartorius for repair or disposal.

14.2 Dispose of Device and Parts

14.2.1 Information on Disposal

The device and the device accessories must be disposed of properly by disposal facilities.

A lithium cell battery, type CR2032, is installed inside the device. Batteries must be disposed of properly by disposal facilities.

14.2.2 Disposal

Requirements

The device has been decontaminated.

Procedure

- ▶ Dispose of the device. Follow the disposal instructions on our website (www.sartorius.com).
- ▶ Inform the disposal facility that there is a lithium cell battery, type CR2032, installed inside the device.
- ▶ Dispose of the packaging in accordance with local government regulations.

15 Technical Data

15.1 Dimensions and Weight

15.1.1 Microbalance

		With round glass ring draft shield	With stainless steel draft shield for the filter pan
	Unit	Value	Value
Dimensions			
Weighing module (L x W x H)	mm	340 x 139 x 129	340 x 139 x 129
Electronics module with control unit (L x W x H)	mm	315 x 240 x 61	315 x 240 x 61
Weighing pan size			
Weighing pan for models MCE2.7S	mm	∅ 20	∅ 20
Weighing pan for models MCE10.6S, MCE6.6S, MCE3.6P	mm	∅ 30	∅ 30
Filter weighing pan	mm	–	∅ 50
Weight, approx.	kg	6.42	7.07

15.2 Power Supply

15.2.1 Device

Only by Sartorius AC adapter YEPS03-15V0

15.2.2 Power Supply Unit

	Unit	Value
Item No.		YEPS03-15V0
Primary		
AC voltage	V	100 – 240 (±10%)
Frequency	Hz	50 – 60 (±5%)
Current consumption, maximum	A	1.0
Secondary		
DC voltage at 2 A output current	V	14.25 – 15.75
Power, maximum	W	30
Short circuit protection: Electronic		
Protection class according to IEC 62368-1		I
Pollution level according to IEC 61010-1		2
Overvoltage category according to IEC 606641-1		II
Installation site according to IEC 62368-1, maximum altitude above sea level	m	5000
Temperature		

	Unit	Value
In operation	°C	0 – +40
During storage and transport	°C	-20 – +80
Connector for mains connection according to IEC 60320-1 / C14: 3-pin		
Power supply cable		
Power supply cable according to IEC 60320-1 / C14: Country-specific, 3-pin, two-sided plug		
Other data: See label on AC adapter		

15.2.3 Safety of Electrical Equipment

According to EN 61010-1/IEC 61010-1 Safety requirements for electrical equipment for measurement, control, and laboratory use – Part 1: General Requirements

15.2.4 Electromagnetic Compatibility

Interference resistance

Suitable for use in industrial areas

Transient emissions

Class B

Suitable for use in residential areas and areas that are connected to a low voltage network that also supplies residential buildings.

15.3 Materials

Housing: Die-cast aluminum, plastic PBT, Optiwhite float and stainless steel 1.4401 | 1.4404, PA handles, aluminum trim

Control unit: Plastic PBT, float glass and stainless steel 1.4301

15.4 Integrated Clock

	Unit	Value
Maximum deviation per month (RTC)	s	30

15.5 Backup Battery

	Unit	Value
Lithium battery, type CR2032		
Service life at room temperature, minimum	Years	10

15.6 Ambient Conditions

15.6.1 Installation Site

	Unit	Value
Installation site		
Standard laboratory rooms		
Installation site according to IEC 60259-1, maximum altitude above sea level	m	3000
For indoor use only		
Temperature		
In operation	°C	+5 – +40
In operation for conformity-assessed devices: See information on the device's ID plate		
During storage and transport	°C	-20 – +60
Relative humidity		
At temperatures of up to 31 °C	%	80
Then linear decrease from 80 % at 31 °C to 50 % at 40 °C		
No heat from heating systems or direct sunlight		
No drafts from open windows, AC systems, or doors		
No vibrations		
No "heavy traffic" areas (personnel)		
No electromagnetic fields		
No dry air		

15.6.2 Ambient Temperature for the isoCAL Function

	Unit	Value
Scope of application as per Directive 2014/31/EU		
With isoCAL function	°C	+10 – +30
Without isoCAL function	°C	+17 – +27

15.6.3 Protection Class

IP Protection: Protected against dust and water

15.7 Metrological Data

15.7.1 Models MCE2.7S | MCE10.6S | MCA6.6S | MCA3.6P

		MCE2.7S	MCE10.6S	MCE6.6S	MCE3.6P
	Unit	Value	Value	Value	Value
Scale interval (d)	µg	0.1	1	1	1 2 5
Maximum capacity (Max)	g	2.1	10.1	6.1	1.1 2.1 3.1
Repeatability at 5 % load					
Standard deviation of the load values, tolerance	µg	0.20	1	1	3
Standard deviation of the load values, typical value	µg	0.15	0.5	0.5	0.5
Repeatability at approx. maximum capacity					
Standard deviation of the load values, tolerance	µg	0.25	1	1	5
Standard deviation of the load values, typical value	µg	0.18	0.6	0.6	0.6
Linearity deviation					
Tolerance	µg	0.9	4	4	4
Typical value	µg	0.7	3	3	3
Deviation when load is off-center, positions according to OIML R76					
Test weight	g	1	5	2	1
Tolerance	µg	0.7	4	4	5
Typical value	µg	0.5	3	3	3
Sensitivity drift between +10 °C and +30 °C	ppm/K	1	1	1	1
Tare-maximum capacity: Less than 100 % of maximum capacity					
Accuracy class according to Directive 2014/31/EU		I	I	I	I
Verification scale interval (e) according to Directive 2014/31/EU	mg	1	1	1	1
Minimum load (Min) according to Directive 2014/31/EU	mg	0.01	0.1	0.1	0.1
Minimum initial weighing according to USP (United States Pharmacopeia), Chap. 41					
Optimum minimum initial weighing	µg	82	820	820	820
Typical minimum initial weighing	µg	300	1000	1000	1000
Typical stabilization time	s	7	5	5	5
Typical measurement time	s	10	8	8	8

15.8 Recommended Calibration Weight

		MCE2.7S	MCE10.6S	MCE6.6S	MCE3.6P
	Unit	Value	Value	Value	Value
External test weight	g	2	10	5	3
Recommended accuracy class		E2	E2	E2	E2

15.9 isoCAL Function

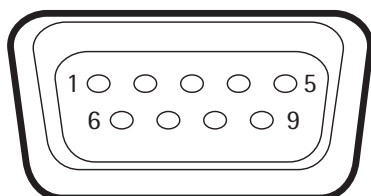
	Unit	Value
isoCAL is triggered by the following criteria:		
In the event of a temperature change	K	1.5
After a time interval	h	12
After successful leveling		

15.10 Interfaces

15.10.1 Specifications for the COM-RS232 Interface

Type of interface: Serial interface
Interface operation: Full duplex
Level: RS232
Connection: D-sub connector, 9-pin
Maximum cable length: 10 m

Pin assignment



- Pin 1: **Not** assigned
- Pin 2: Data output (TxD)
- Pin 3: Data input (RxD)
- Pin 4: **Not** assigned
- Pin 5: Internal ground
- Pin 6: **Not** assigned
- Pin 7: Clear to Send (CTS)
- Pin 8: Request to Send (RTS)
- Pin 9: **Not** assigned

15.10.2 Specifications for the USB-A Interface

Communication: USB host (master)
Connectable devices: Sartorius printers, USB sticks with software update

15.10.3 Specifications for the USB-B Interface

Communication: USB device (slave)
Type of interface: Virtual serial interface (virtual COM-port, VCP) and "PC direct" communication

16 Accessories

16.1 Accessories

This table contains an excerpt of the accessories that can be ordered. For information on other products, contact Sartorius.

16.1.1 Printers and Communication

Item	Quantity	Order number
Thermal transfer thermal printer for GLP/GMP printouts on continuous paper and labels	1	YDP30
Standard paper and ink ribbon, set, 90 m, for YDP30	1	69Y03285
Self-adhesive paper and ink ribbon, 90 m, for YDP30	1	69Y03286
Standard thermal paper, 24 m roll, for YDP30 YDP40	5	69Y03287
Self-adhesive thermal paper, 13 m roll, for YDP30	5	69Y03288
Self-adhesive labels for YDP30		
58 mm x 100 mm	350	69Y03094
58 mm x 76 mm	500	69Y03093
58 mm x 30 mm	1000	69Y03092
Display cable, 3 m, for separate installation of display and weighing units, installation by Sartorius Service or at the factory (order code VF4016)	1	On request
Installation of display cable, 3 m, for separate installation of display and weighing units	1	VF4016
Cable, 3 m, between the weighing module and electronics module for semi-microbalance	1	YCC01-MSM3
RS232C connection cable, 9-pin, 3 m, for connection to a PC with 9-pin COM port	1	On request
Sartorius Wedge, software for data communication between the PC and balance	1	YSW02

16.1.2 Displays and Input/Output Elements

Item	Quantity	Order number
Display and control unit with color TFT graphic display and touch screen	1	YAC01MCA
Motion sensor for triggering a maximum of 4 functions via gesture control, selection via menu	1	YHS02MS

16.1.3 Hardware and Software for Pipette Calibration

Item	Quantity	Order number
Pipette calibration kit (hardware) for microbalance weighing modules 6.6S and 3.6P, consists of moisture trap and all required adapters	1	VF988

16.1.4 Filter Balance and Antistatic Accessories

Item	Quantity	Order number
Filter weighing pan, diameter 75 mm, for ultra-microbalance or microbalance models (weighing modules 6.6S, 2.7S; only together with metal ring draft shield for filter)	1	YWP05MS
Filter weighing pan, d 90 mm, for ultramicrobalance or microbalance models (weighing modules 6.6S, 2.7S; only together with metal ring draft shield for filter)	1	YWP06MS
Ionization blower for electrostatically charged samples	1	YIB01-ODR
Stat-Pen ionization pen for discharging electrostatically charged samples	1	YSTP01
Ionizer with u-shaped electrode for 230 V	1	YIB02-230V
Ionizer with u-shaped electrode for 115 V	1	YIB02-115V

16.1.5 Weighing Tables

Item	Quantity	Order number
Weighing table		
made from synthetic stone, with vibration dampening	1	YWT03
made from wood with synthetic stone	1	YWT09
Wall console	1	YWT04

16.1.6 Weighing Accessories

Item	Quantity	Order number
Aluminum weighing scoop, 4.5 mg for ultramicrobalance and microbalance models	250	6565-250
Aluminum weighing scoop, 52 mg for ultramicrobalance and microbalance models	50	6566-50

17 Sartorius Service

Sartorius Service is available for queries regarding the device. For information about the service addresses, services provided, or to contact a local representative, please visit the Sartorius website (www.sartorius.com).

When contacting Sartorius Service with questions about the system or in the event of malfunctions, be sure to have the device information, e.g., serial number, hardware, firmware, configuration, close at hand. Consult the information on the manufacturer's ID label and in the "Device Information" menu (see Chapter "4.5.1 Overview of the Device Settings Menu", page 20).

18 Conformity & Certificates

18.1 EU Declaration of Conformity

The attached Declaration of Conformity hereby confirms compliance of the device with the directives cited.



The declaration of conformity supplied here is for conformity-assessed (verified) balances for use in the EEA. Please keep it in a safe place.



Original

EG-/EU-Konformitätserklärung EC / EU Declaration of Conformity

Hersteller **Sartorius Lab Instruments GmbH & Co. KG**
 Manufacturer **37070 Goettingen, Germany**

erklärt in alleiniger Verantwortung, dass das Betriebsmittel
declares under sole responsibility that the equipment

Geräteart **Elektronische Präzisions-, Milligramm-, Analysen-, Semimikro-, Mikro-Klein- und Hochlastwaage**
 Device type **Electronical Precision, Milligram, Analytical, Semi micro, Micro-Small, and High-Capacity Balance**

Baureihe **MCAvw-2x-y, MCEvw-2x-y,**

Type series **v = 2.7, 3.6, 6.6, 10.6, 124, 125, 224, 225, 323, 324, 524, 623, 1202, 1203, 2202, 2203, 3203, 4202, 5201, 5202, 5203, 6202, 8201, 8202, 10202, 11201, 12201, 14202, 20201, 32202, 36200, 36201, 50201, 70200, 70201;**

w = S, P; x = S00, S01, CEU, CFR, CCN, OBR, OIN, ORU, OJP; y = A, E, F, I, M, O, R, U

in der von uns in Verkehr gebrachten Ausführung allen einschlägigen Bestimmungen der folgenden Europäischen Richtlinien – einschließlich deren zum Zeitpunkt der Erklärung geltenden Änderungen – entspricht und die anwendbaren Anforderungen folgender harmonisierter Europäischer Normen erfüllt:

in the form as delivered fulfils all the relevant provisions of the following European Directives – including any amendments valid at the time this declaration was signed – and meets the applicable requirements of the harmonized European Standards listed below:

2014/30/EU **Elektromagnetische Verträglichkeit**
Electromagnetic compatibility
 EN 61326-1:2013

2006/42/EG **Maschinen**
 2006/42/EC *Machines*
 EN ISO 12100:2010, EN 61010-1:2010

2011/65/EU **Beschränkung der Verwendung bestimmter gefährlicher Stoffe in Elektro- und Elektronikgeräten (RoHS)**
Restriction of the use of certain hazardous substances in electrical and electronic equipment (RoHS)
 EN 50581:2012

Die Person, die bevollmächtigt ist, die technischen Unterlagen zusammenzustellen:

The person authorised to compile the technical file: Sartorius Lab Instruments GmbH & Co. KG
 International Certification Management
 37070 Goettingen, Germany

Jahreszahl der CE-Kennzeichenvergabe | *Year of the CE mark assignment:* **18**

Sartorius Lab Instruments GmbH & Co. KG
 Goettingen, 2018-06-20

Dr. Reinhard Baumfalk
 Vice President R&D

Dr. Dieter Klausgrete
 Head of International Certification Management

Diese Erklärung bescheinigt die Übereinstimmung mit den genannten EG- und EU-Richtlinien, ist jedoch keine Zusicherung von Eigenschaften. Bei einer mit uns nicht abgestimmten Änderung des Produktes verliert diese Erklärung ihre Gültigkeit. Die Sicherheitshinweise der zugehörigen Produktdokumentation sind zu beachten.

This declaration certifies conformity with the above mentioned EC and EU Directives, but does not guarantee product attributes. Unauthorised product modifications make this declaration invalid. The safety information in the associated product documentation must be observed.

Doc: 2369814-00 SLI18CE001-00.de,en 1 / 1 PMF: 2369813 OP-113_fo1_2015.10.12



Certificate: 70185847
Project: 70185847

Master Contract: 167555
Date Issued: 2018-09-24

APPLICABLE REQUIREMENTS

CSA Standards:

CAN/CSA-C22.2 No. 61010-1-12 - Safety Requirements for Electrical Equipment for Measurement, Control, and Laboratory Use, Part 1: General Requirements

UL Standards:

UL Std. No. 61010-1 (3rd Edition) - Safety Requirements for Electrical Equipment for Measurement, Control, and Laboratory Use - Part 1: General Requirements

CONDITIONS OF ACCEPTABILITY

- (1) Equipment is intended to be used with power supply FSP Group Inc, Model FSP030-DGAN3 or Sinpro Electronics Co Ltd, Model SPU31-106 or PSFD rated output 15Vdc, 2A. The equipment can also be used with any other power supply approved for Canada and USA under the 60950-1 or 61010-1 or equivalent standards and which provides Reinforced insulation between mains and secondary circuits. It must be rated for 3000m and up to 40°C and must provide an output of 15Vdc LPS with a minimum of 1A
- (2) Detachable cord set, to be delivered with the product, consisting of minimum NEMA 5-15 Plug, 3 x 18AWG cable and C13 Appliance coupler. For countries outside Canada and the USA the cable must be equivalent and must fulfill the national requirements for detachable cord sets.

18.3 FCC Supplier's Declaration of Conformity

FCC Supplier's Declaration of Conformity



Device type Electronical Precision, Milligram, Analytical, Semi Micro, Micro-Small and High-Capacity Balance

Type series MCAvw-2x-y, MCEvw-2x-y

v = 2.7, 3.6, 6.6, 10.6, 124, 125, 224, 225, 323, 324, 524, 623, 1202, 1203, 2202, 2203, 3203, 4202, 5201, 5202, 5203, 6202, 8201, 8202, 10202, 11201, 12201, 14202, 20201, 32202, 36200, 36201, 50201, 70200, 70201

w = S, P

x = S00, S01, CEU, CFR, CCN, OBR, OIN, ORU, OJP

y = A, E, F, I, M, O, R, U

Party issuing Supplier's Declaration of Conformity / Responsible Party – U.S. Contact Information

Sartorius Corporation
5 Orville Dr Suite 200
11716 Bohemia, NY
USA
Telephone: +1.631.254.4249

FCC Compliance Statement

This device complies with Part 15 of the FCC Rules. Operation is subject to the following two conditions: (1) This device may not cause harmful interference, and (2) this device must accept any interference received, including interference that may cause undesired operation.

Information to the user

This equipment has been tested and found to comply with the limits for a **class B** digital device, pursuant to part 15 of the FCC Rules. These limits are designed to provide reasonable protection against harmful interference in a residential installation. This equipment generates, uses and can radiate radio frequency energy and if not installed and used in accordance with the instructions, may cause harmful interference to radio communications. However, there is no guarantee that interference will not occur in a particular installation. If this equipment does cause harmful interference to radio or television reception, which can be determined by turning the equipment off and on, the user is encouraged to try to correct the interference by one or more of the following measures:

- Reorient or relocate the receiving antenna.
- Increase the separation between the equipment and receiver.
- Connect the equipment into an outlet on a circuit different from that to which the receiver is connected.
- Consult the dealer or an experienced radio/TV technician for help.

Connections between the device and peripherals must be made using shielded cables in order to maintain compliance with FCC radio frequency emission limits.

Any modifications made to this device that are not approved by Sartorius may void the authority granted to the user by the FCC to operate this equipment.

Doc: 2384181-00 SLI18FCC001-00.en 1 / 1 PMF: 2369813 OP-113_fo1_2015.10.12

Sartorius Lab Instruments GmbH & Co. KG
Otto-Brenner-Strasse 20
37079 Goettingen, Germany

Phone: +49.551.308.0
www.sartorius.com

The information and figures contained in these instructions correspond to the version date specified below.

Sartorius reserves the right to make changes to the technology, features, specifications and design of the equipment without notice.

Masculine or feminine forms are used to facilitate legibility in these instructions and always simultaneously denote the other gender as well.

Copyright notice:

This instruction manual, including all of its components, is protected by copyright.

Any use beyond the limits of the copyright law is not permitted without our approval.

This applies in particular to reprinting, translation and editing irrespective of the type of media used.

© Sartorius Germany

Last updated:
11 | 2018