



Short Description



- Aluminium-alloy IP65 single point load cell
- Colourless anodized
- Suitable for pricing scales, bench scales, etc.
- Maximum platform size: 200 x 200 mm

Without OIML Certification

Available Models

Capacity	Accuracy	Full Article Description
0.3kg	L/H/H1	L6B-L/H/H1-300g-0.4B
0.6kg	H/H1	L6B-H/H1-600g-0.4B
1.2kg	H/H1	L6B-H/H1-1.2kg-0.4B
1.5kg	H/H1	L6B-H/H1-1.5kg-0.4B
3.0kg	H/H1	L6B-H/H1-3.0kg-0.4B

Specifications and dimensions are subject to change without notice and do not constitute any liability whatsoever.

Technical Specifications L6B

Maximum Capacity (E _{max})	kg	0.3	0.3, 0.6, 1.2, 1.5, 3	
Output Sensitivity (= FS)	mV/V	0.9 ± 0.1		
Accuracy Class		L	H	H1
Divisions		30000	60000	100000
Combined Error	%FS	≤± 0.020	≤± 0.010	≤± 0.008
Creep Error (2 minutes)	%FS	≤± 0.010	≤± 0.005	≤± 0.003
Linearity		≤± 0.015		
Hysteresis		≤± 0.015		
Repeatability		≤± 0.015		
Temperature Effect on Zero (ZTC)	%FS/10°C	≤± 0.020	≤± 0.017	≤± 0.010
Temperature Effect on Sensitivity (STC)	%FS/10°C	≤± 0.015		≤± 0.008
Zero Balance	%FS	≤± 2.0		
Safe Overload	%FS	120		
Ultimate Overload	%FS	150		
Maximum Deflection	mm	0.180 ~ 0.182		
Eccentric Loading Error	%Ld/cm	± 0.002		
Excitation, Recommended Voltage	V	5 – 10		
Excitation, Maximum Voltage	V	12		
Input Resistance	Ω	406 ± 6		
Output Resistance	Ω	350 ± 3		
Insulation Resistance (50V)	MΩ	≥5000		
Compensated Temperature	°C	-10 ~ + 40		
Operating Temperature	°C	-35 ~ + 65		
Storage Temperature	°C	-40 ~ + 70		
Load Cell Weight	kg	~0.1		
Element Material		Aluminium		
Ingress Protection (acc. to EN 60529)		IP65		
Recommended Torque on Fixation Bolts	Nm	M3: 1.3		

Wiring

Features:

Cable type: Shielded, 4 conductor cable , conductor AWG 28

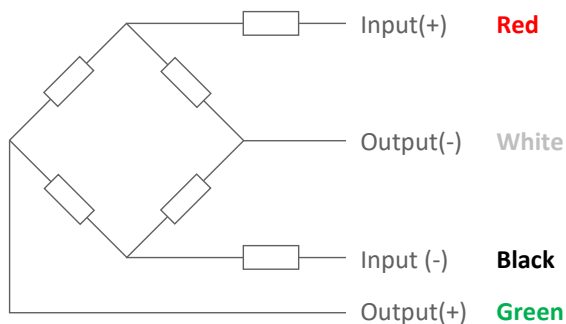
Cable diameter: Ø 2.9mm

Cable length: 0.4m

Cable jacket: PVC

Shield not connected to element

4-Wire Connection Diagram

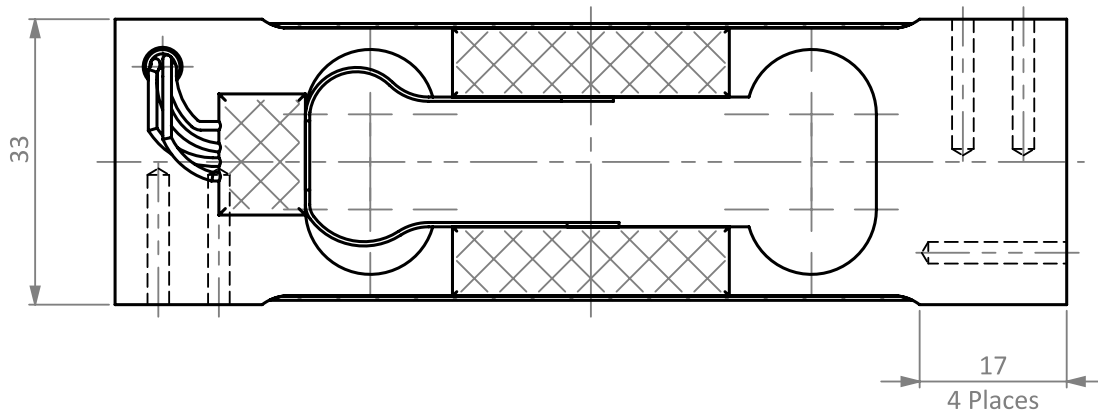


Specifications and dimensions are subject to change without notice and do not constitute any liability whatsoever.

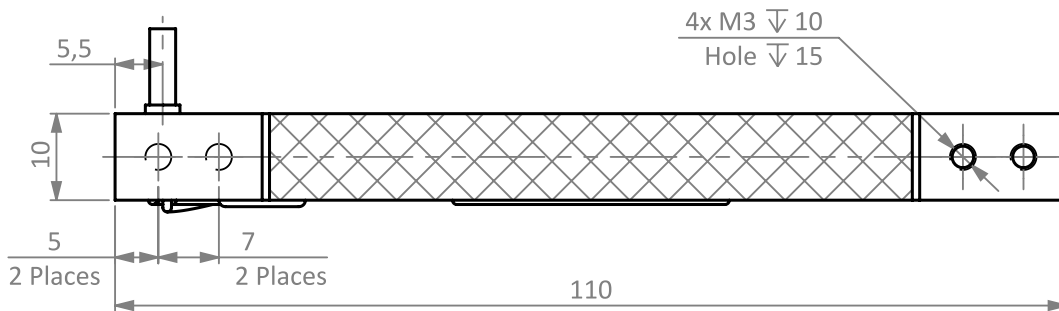
Type L6B Load Cell

Dimensions in mm

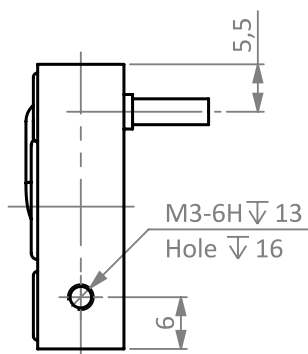
Front View



Top View



Side View



Isometric View

