



# 2 Block Dry Block Heaters



## *Versatile Block Heaters Designed for Everyday Use with Accessories for Every Application*

Versatile Dry Block Heaters are ideal for applications that require temperature stability. Close tube-to-block contact enables maximum heat retention, resulting in efficient heating. Digital models offer exceptional temperature uniformity and stability for repeatable results, while non-digital models are an economical choice. All units hold optional interchangeable modular blocks with over 40 choices. Blocks are easy to use, no tools required.

### **Standard Features:**

- **Delivering Exceptional Temperature Stability and Uniformity**  
Three models to customize your application. All models offer exceptional temperature uniformity with outstanding temperature stability.
- **Heated Lid Model Reduces Condensation on Lids to Maintain Sample Integrity**  
A second heater in the lid helps minimize condensation to maintain sample integrity, providing reliable, repeatable results. Easily monitor settings with independent displays for temperature and time.
- **Calibrate to an External Temperature Device with Temperature Calibration Mode**  
Digital models with user calibration feature allows you to match the Block Heater's display to your known external temperature standard which improves the temperature accuracy of the system.

# 2 Block Dry Block Heaters

Model	HB2AL	HB2DG	HB2DGH
Control	Non-Digital	Digital	Digital
Temperature Range	Low Ambient + 5 °C – 100 °C, High 75 °C – 150 °C	Ambient + 5 °C – 120 °C	Ambient + 5 °C – 100 °C
Stability @ 37 °C	± 1.5 °C	± 0.1 °C	
Uniformity @ 37 °C	± 0.1 °C		
Heat Up Time to 100 °C	≤ 16 min		≤ 30 min
Temperature Calibration	NA	•	
Number of Blocks	2		
Overshoot Protection	NA	10 °C above set point	
Working Environment	64 ° F – 91 ° F, 20% – 80% relative humidity, non-condensing / 18 ° C – 33 ° C, 20% – 80% relative humidity, non-condensing		
Power	120V, 1.75A, 50/60Hz		120V, 3A, 50/60Hz
Power Consumption	210 W		400 W
Dimensions (W x L x H)	8 x 15.4 x 3.5 in. / 203 x 391 x 89 mm		8 x 15.4 x 7 in. / 203 x 391 x 178 mm
Net Weight	6.2 lb / 2.8 kg		6.8 lb / 3.1 kg

## Other Standard Features and Equipment

Touchpad control and audible alarm (digital models), painted steel housing, digital models include support rod holder with locking knob, detachable 3-wire cord and plug (included)

## Compliance

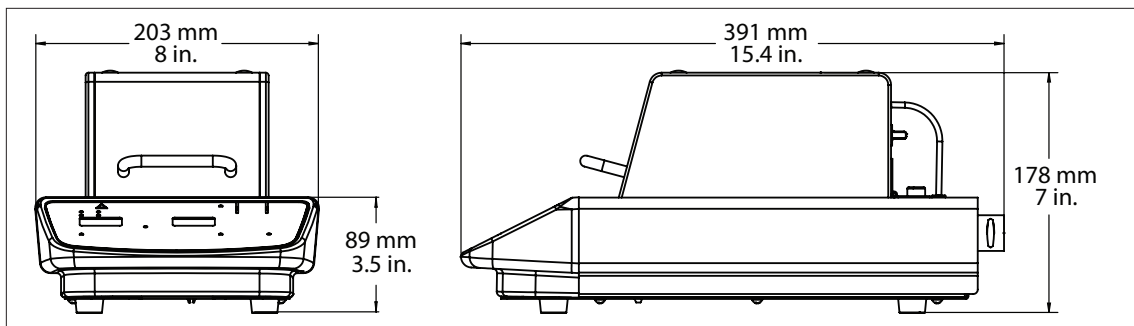
- **Product Safety:** CAN/CSA C22.2 61010-1, CAN/CSA C22.2 61010-2-010, CAN/CSA C22.2 61010-2-051, UL 61010-1
- **Electromagnetic Compatibility:** ICES-003 Class A, FCC Part 15 Class A
- **Compliance Marks:** TÜV SÜD

## Accessories

Module Block 10 mm Test Tube, 24 Wells .....	30400151	Module Block 15 mL Conical Centrifuge, 12 Wells ...	30400172
Module Block 12/13 mm, 20 Wells .....	30400152	Sand Bath, 2 Block Unit .....	30400174
Module Block 15/16 mm, 12 Wells .....	30400153	Sand, 0.5 kg (1 lb) Bag .....	30400177
Module Block 20 mm Test Tube, 8 Wells .....	30400154	Stainless Steel Shot, 0.5 kg (lb) .....	30400178
Module Block 25 mm Test Tube, 6 Wells .....	30400155	Cover Low-Temperature 2 Block* .....	30400179
Module Block Combo - Test Tube Combination Block:		Module Block For Vials 12 mm, 20 Wells .....	30400182
6 mm, 12/13 mm, 25 mm .....	30400156	Module Block For Vials 15 mm, 20 Wells .....	30400183
Module Block 0.5 mL Microtaper, 30 Wells .....	30400157	Module Block For Vials 17 mm, 12 Wells .....	30400184
Module Block 6 mm Test Tube, 30 Wells .....	30400158	Module Block For Vials 19 mm, 12 Wells .....	30400185
Module Block 1.5 mL Microtaper, 20 Wells .....	30400159	Module Block For Vials 21 mm, 9 Wells .....	30400186
Module Block Solid .....	30400160	Module Block For Vials 23 mm, 8 Wells .....	30400187
Module Block Cuvette - 12 Cuvet, 2 Wells .....	30400161	Module Block For Vials 25 mm, 8 Wells .....	30400188
Module Block 11.5/1.5 mL Microcentrifuge, 20 Wells		Module Block For Vials 28 mm, 6 Wells .....	30400189
.....	30400162	Module Block For Vials 16 mm, 15 Wells .....	30400190
Module Block 250 Microliter/6 mm, 30 Wells .....	30400163	Module Block, 2.0 mL Tube, 20 Wells .....	30400191
Module Block Titer Plate .....	30400164	Module Block, 2.0 mL Corning Tube, 20 Wells .....	30400192
Module Block 12/13 mm, 16 Wells .....	30400165	Module Block Combo - Centrifuge Tube Configuration:	
Module Block Solid Double .....	30400166	50 mL-2 Wells, 15 mL-3 Wells, 1.5 mL-4 Wells .....	30400193
Module Block 35 mm Test Tube, 4 Wells .....	30400167	Module Block Combo - Micro Tube Combination:	
Module Block 50 mL Conical Centrifuge, 5 Wells ...	30400168	2 mL-5 Wells, 1.5 mL-10 Wells, 0.5 mL-6 Wells .....	30400194
Module Block 0.2 mL Micro, 80 Wells .....	30400169	Module Block 17/18 mm, 12 Wells .....	30400195
Module Block 0.2 mL Micro, 64 Wells .....	30400170	Stainless Steel Probe Kit** .....	30400246
Module Block 0.2 mL 96 Hole Double Block .....	30400171		

\*NA for HB2DGH \*\*NA for HB2AL

## Dimensions



80775613\_B 20200227 © Copyright OHAUS Corporation

### OHAUS CORPORATION

7 Campus Drive  
Suite 310  
Parsippany, NJ 07054 USA

Tel: 800.672.7722  
973.377.9000  
Fax: 973.944.7177

[www.ohaus.com](http://www.ohaus.com)

The management system governing the manufacture of this product is ISO 9001:2015 certified.

