



# Multi-Purpose & Specialty Clamps



## *A LabJaws Clamp for Every Application—Choose From Over 85 Options to Hold Everything In Your Lab*

LabJaws Clamps are designed to securely grip and position laboratory apparatus. Extension arm clamps with a 360° rotation allow placement of apparatus at various distances from lab-frames and are easily secured with optional holders. Swivel, fixed position and thermometer clamps easily hold apparatus near the lab-frame or stand and have a built-in holder for simple attachment to lab-frames or apparatus. Flow control clamps available in 7 styles.

### **Standard Features:**

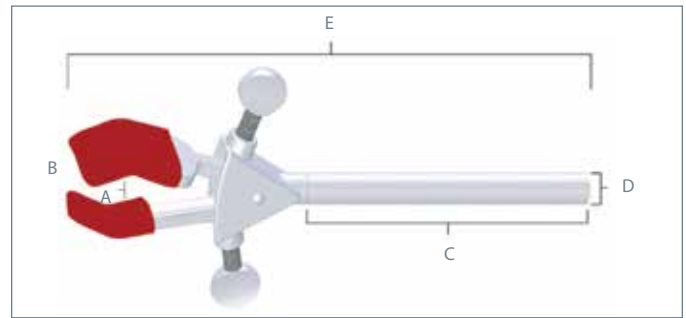
- **Choice of Stainless Steel or Zinc to best Suit Your Application**  
Corrosion-resistant stainless steel clamps provide excellent chemical resistance, durability, and can be autoclaved. Nickel-plated zinc clamps offer high-tensile strength at an economical price.
- **Secure Any Glassware and Apparatus with Sturdy 2 and 3 Prong Clamps**  
Prevent accidents in the lab! Versatile multi-purpose LabJaws clamps securely hold glassware and irregularly-shaped objects. Select from a variety of grip sizes, prong styles and adjustment types.
- **Specially Designed Clamps for a Precise Fit**  
Choose from a variety of specialized LabJaws clamps with adjustable features to provide an exact fit for lab ware such as thermometers, thermocouples, columns, funnels, and round bottom flasks.

# Multi-Purpose Clamps\*

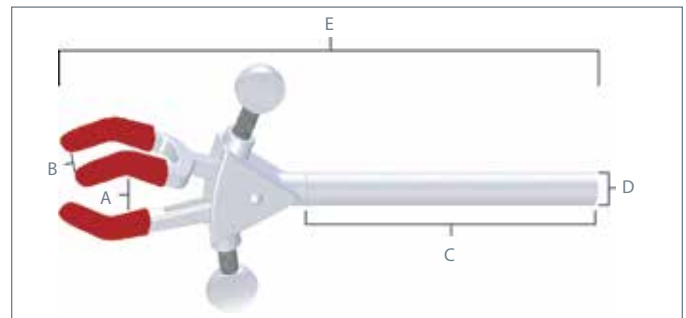
Material Number	Clamp Description	Clamp Style	Material	Grip Range (in.)	Grip Range (mm)	Size	Arm Length (in.)	Arm Length (mm)
30392254	Multi Purpose, CLM-ULTRA3SZS	3-Prong Single Adjust	Nickel plated Zinc	0 in–0.91 in	0 mm–23 mm	Small	4 in.	102 mm
30392252	Multi Purpose, CLM-ULTRA3SZM	3-Prong Single Adjust	Nickel plated Zinc	0 in–1.97 in	0 mm–50 mm	Medium	5 in.	127 mm
30392250	Multi Purpose, CLM-ULTRA3SZL	3-Prong Single Adjust	Nickel plated Zinc	0 in–2.83 in	0 mm–72 mm	Large	5 in.	127 mm
30392253	Multi Purpose, CLM-ULTRA3DZS	3-Prong Dual Adjust	Nickel plated Zinc	0 in.–1.26 in.	0 mm–32 mm	Small	4 in.	102 mm
30392251	Multi Purpose, CLM-ULTRA3DZM	3-Prong Dual Adjust	Nickel plated Zinc	0 in.–2.76 in.	0 mm–70 mm	Medium	5 in.	127 mm
30392249	Multi Purpose, CLM-ULTRA3DZL	3-Prong Dual Adjust	Nickel plated Zinc	0 in–4.06 in	0 mm–103 mm	Large	5 in.	127 mm
30392193	Multi Purpose, CLM-HDCLP4DZS	4-Prong Dual Adjust	Nickel plated Zinc			24/40 mm Joint Size	9.02 in.	229 mm
30392194	Multi Purpose, CLM-HDCLP4DZL	4-Prong Dual Adjust	Nickel plated Zinc			34/45 mm Joint Size	9.02 in.	229 mm
30392354	Multi Purpose, CLM-MULTI3DSS	3-Prong Dual Adjust	Stainless Steel	0 in.–1.9 in.	0 mm–48 mm	Small	4 in.	102 mm
30392353	Multi Purpose, CLM-MULTI3DSM	3-Prong Dual Adjust	Stainless Steel	0 in.–2.72 in.	0 mm–69 mm	Medium	5 in.	127 mm
30392352	Multi Purpose, CLM-MULTI3DSL	3-Prong Dual Adjust	Stainless Steel	0 in.–4 in.	0 mm–102 mm	Large	5 in.	127 mm
30392205	Multi Purpose, CLM-MULTI3SZS	3-Prong Single Adjust	Nickel plated Zinc	0 in–1.54 in	0 mm–39 mm	Small	4 in.	102 mm
30392203	Multi Purpose, CLM-MULTI3SZM	3-Prong Single Adjust	Nickel plated Zinc	0 in–2.8 in	0 mm–71 mm	Medium	5 in.	127 mm
30392200	Multi Purpose, CLM-MULTI3SZL	3-Prong Single Adjust	Nickel plated Zinc	0 in–4.25 in	0 mm–108 mm	Large	5 in.	127 mm
30392204	Multi Purpose, CLM-MULTI3DZS	3-Prong Dual Adjust	Nickel plated Zinc	0 in–1.81 in	0 mm–46 mm	Small	4 in.	102 mm
30392201	Multi Purpose, CLM-MULTI3DZM	3-Prong Dual Adjust	Nickel plated Zinc	0 in–2.72 in	0 mm–69 mm	Medium	5 in.	127 mm
30392202	Multi Purpose, CLM-MLTEX3DZM	3-Prong Dual Adjust	Nickel plated Zinc	0 in–2.72 in	0 mm–69 mm	Medium	12 in.	305 mm
30392198	Multi Purpose, CLM-MULTI3DZL	3-Prong Dual Adjust	Nickel plated Zinc	0 in–4.13 in	0 mm–105 mm	Large	5 in.	127 mm
30392199	Multi Purpose, CLM-MLTEX3DZL	3-Prong Dual Adjust	Nickel plated Zinc	0 in–4.13 in	0 mm–105 mm	Large	12 in.	305 mm

\*Unless noted with an asterisk, an additional holder is required to attach clamps to lab-frames and other apparatus

Length (in.)	Length (mm)	Arm Diameter (in.)	Arm Diameter (mm)	Photo
6.38 in.	162 mm	0.32 in.	8 mm	
9.02 in.	229 mm	0.43 in.	11 mm	
10.24 in.	260 mm	0.43 in.	11 mm	
5.98 in.	152 mm	0.32 in.	8 mm	
8.74 in.	222 mm	0.43 in.	11 mm	
10.24 in.	260 mm	0.43 in.	11 mm	
14 in.	356 mm	0.51 in.	13 mm	
15 in.	381 mm	0.51 in.	13 mm	
6.77 in.	172 mm	0.39 in.	10 mm	
9.02 in.	229 mm	0.51 in.	13 mm	
10.75 in.	273 mm	0.51 in.	13 mm	
6.30 in.	160 mm	0.32 in.	8 mm	
8.58 in.	218 mm	0.43 in.	11 mm	
9.76 in.	248 mm	0.43 in.	11 mm	
6.61 in.	168 mm	0.32 in.	8 mm	
9.02 in.	229 mm	0.43 in.	11 mm	
16 in.	406 mm	0.5 in.	13 mm	
10.75 in.	273 mm	0.43 in.	11 mm	
17.76 in.	451 mm	0.5 in.	13 mm	



## 2 Prong Clamp



## 3 Prong Clamp

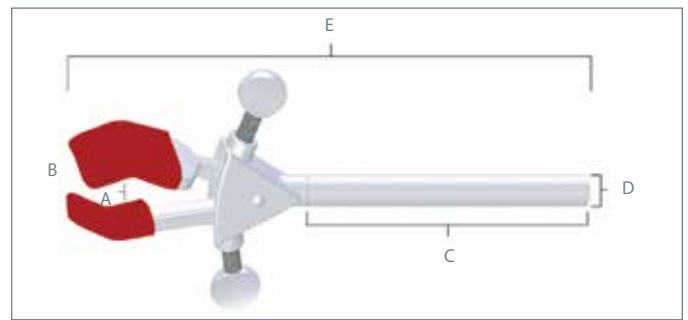
- (A) Minimum to Maximum Grip Size
- (B) Prong Width
- (C) Arm Length
- (D) Arm Diameter
- (E) Overall Length

# Multi-Purpose Clamps\*

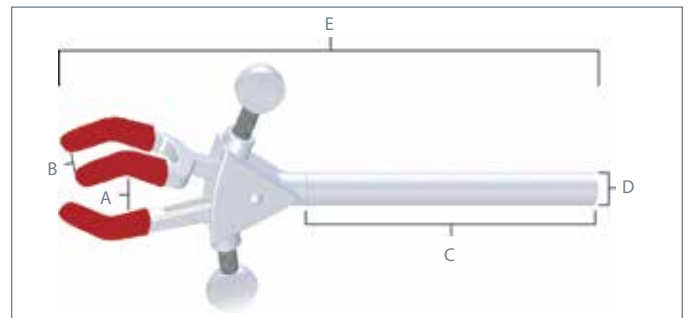
Material Number	Clamp Description	Clamp Style	Material	Grip Range (in.)	Grip Range (mm)	Size	Arm Length (in.)	Arm Length (mm)
30392208	Multi Purpose, CLM-MULTI2SZM	2-Prong Single Adjust	Nickel plated Zinc	0 in.–3.07 in.	0 mm–78 mm	Medium	5 in.	127 mm
30392206	Multi Purpose, CLM-MULTI2SZL	2-Prong Single Adjust	Nickel plated Zinc	0 in.–3.62 in.	0 mm–92 mm	Large	5 in.	127 mm
30392220	Multi Purpose, CLM-MULTI2DSM	2-Prong Dual Adjust	Stainless Steel	0 in.–2.95 in.	0 mm–75 mm	Medium	5 in.	127 mm
30392209	Multi Purpose, CLM-MULTI2DZM	2-Prong Dual Adjust	Nickel plated Zinc	0 in.–2.95 in.	0 mm–75 mm	Medium	5 in.	127 mm
30392223	Multi Purpose, CLM-MULTI2DSL	2-Prong Dual Adjust	Stainless Steel	0 in.–3.74 in.	0 mm–95 mm	Large	5 in.	127 mm
30392207	Multi Purpose, CLM-MULTI2DZL	2-Prong Dual Adjust	Nickel plated Zinc	0 in.–3.74 in.	0 mm–95 mm	Large	5 in.	127 mm
30392226	Multi Purpose, CLM-SWIVL2SSM	2-Prong Single Adjust	Stainless Steel	0 in.–3 in.	0 mm–76 mm	Medium		
30392215	Multi Purpose, CLM-SWIVL2SZM	2-Prong Single Adjust	Nickel plated Zinc	0 in.–3 in.	0 mm–76 mm	Medium		
30392216*	Multi Purpose, CLM-SWIVL2SZL	2-Prong Single Adjust	Nickel plated Zinc	0 in.–3.74 in.	0 mm–95 mm	Large		
30392225*	Multi Purpose, CLM-SWIVL3DSM	3-Prong Dual Adjust	Stainless Steel	0 in.–2.72 in.	0 mm–69 mm	Medium		
30392214*	Multi Purpose, CLM-SWIVL3DZM	3-Prong Dual Adjust	Nickel plated Zinc	0 in.–2.72 in.	0 mm–69 mm	Medium		
30392230*	Multi Purpose, CLM-FIXED2SSM	2-Prong Single Adjust	Stainless Steel	0 in.–3.03 in.	0 mm–77 mm	Medium		
30392218*	Multi Purpose, CLM-FIXED2SZM	2-Prong Single Adjust	Nickel plated Zinc	0 in.–3.03 in.	0 mm–77 mm	Medium		
30392229*	Multi Purpose, CLM-FIXED3DSM	3-Prong Dual Adjust	Stainless Steel	0 in.–2.72 in.	0 mm–69 mm	Medium		
30392217*	Multi Purpose, CLM-FIXED3DZM	3-Prong Dual Adjust	Nickel plated Zinc	0 in.–2.72 in.	0 mm–69 mm	Medium		

\*Unless noted with an asterisk, an additional holder is required to attach clamps to lab-frames and other apparatus

Length (in.)	Length (mm)	Arm Diameter (in.)	Arm Diameter (mm)	Photo
8.50 in	216 mm	0.43 in.	11 mm	
9.02 in	229 mm	0.43 in.	11 mm	
9.02 in	229 mm	0.43 in.	11 mm	
9.02 in	229 mm	0.43 in.	11 mm	
9.76 in	248 mm	0.43 in.	11 mm	
9.76 in	248 mm	0.43 in.	11 mm	
6.42 in	163 mm			
6.42 in	163 mm			
7.09 in	180 mm			
7.01 in.	178 mm			
7.01 in.	178 mm			
5.24 in	133 mm			
5.24 in	133 mm			
5.75 in	146 mm			
5.75 in.	146 mm			



## 2 Prong Clamp
















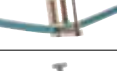

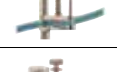




## 3 Prong Clamp

- (A) Minimum to Maximum Grip Size
- (B) Prong Width
- (C) Arm Length
- (D) Arm Diameter
- (E) Overall Length

# Specialty Clamps\*

Material Number	Clamp Description	Clamp Style	Material	Grip Range (in.)	Grip Range (mm)	Size	Arm Length (in.)	Arm Length (mm)
30392234	Specialty, Buret, CLS-BTDBLZ	Buret Holder	Nickel plated Zinc			Micro – 100 mL burets		
30392227	Specialty, Buret, CLS-BTDBLS	Buret Holder	Stainless Steel			Micro – 100 mL burets		
30392240	Specialty Water Bath, CLS-WBATHZS	2-Prong Dual Adjust Water Bath	Nickel plated Zinc	0.2 in.–0.39 in.	5 mm–10 mm	Small		
30392241	Specialty Water Bath, CLS-WBATHZL	3-Prong Dual Adjust Water Bath	Nickel plated Zinc	0 in.–1.81 in	0 mm–46 mm	Large		
30392259	Specialty, Chain, CLS-CHAINZL	Chain	Nickel plated Zinc	1.38 in.–11.02 in.	35 mm–280 mm	Large	5 in.	127 mm
30392260	Specialty, Chain, CLS-CHNEXZL	Chain	Nickel plated Zinc	1.38 in.–11.02 in.	35 mm–280 mm	Large	12 in.	305 mm
30392224	Specialty, Chain, CLS-CHAINSL	Chain	Stainless Steel	1.38 in.–11.02 in.	35 mm–280 mm	Large	5 in.	127 mm
30392235	Specialty, Chain, CLS-CHAINZM	Chain	Nickel plated Zinc	1.38 in.–6.69 in.	35 mm–170 mm	Small	5 in.	127 mm
30392314	Specialty, Column, CLS-COLMNSS	Column	Stainless Steel	2.56 in.–3.5 in.	65 mm–89 mm	Small	8.31 in.	211 mm
30392317	Specialty, Column, CLS-COLMNSX	Column	Stainless Steel	3.62 in.–6.5 in.	92 mm–165 mm	Extra Large	8.31 in.	211 mm
30392316	Specialty, Column, CLS-COLMNSL	Column	Stainless Steel	2.52 in.–5.51 in.	64 mm–140 mm	Large	8.31 in.	211 mm
30392315	Specialty, Column, CLS-COLMNSM	Column	Stainless Steel	3.58 in.–4.49 in.	91 mm–114 mm	Medium	8.31 in.	211 mm
30392341	Flow Control, Set, CLF-HKFTZ	Hosecock - Adjustable Control	Nickel plated Zinc	0 in.–0.67 in.	0 mm–17 mm			
30392310	Flow Control, Hosecock, CLF-HKHDZ	Hosecock - Adjustable Control	Nickel plated Zinc	0 in.–1.14 in.	0 mm–29 mm			
30392210	Flow Control, Hosecock, CLF-HKRGZ	Hosecock - Adjustable Control	Nickel plated Zinc	0 in.–0.67 in.	0 mm–17 mm			
30392221	Flow Control, Hosecock, CLF-HKRG5	Hosecock - Adjustable Control	Stainless Steel	0 in.–0.67 in.	0 mm–17 mm			
30392212	Flow Control, Hosecock, CLF-HKEXZ	Hosecock - Adjustable Control	Nickel plated Zinc	0 in.–0.67 in.	0 mm–17 mm		5.71 in.	145 mm
30392247	Flow Control Pinchcock, CLF-PKVfZ	Pinchcock - Complete Closure	Nickel plated Zinc	0 in.–0.51 in.	0 mm–13 mm			
30392246	Flow Control Pinchcock, CLF-PKHDZ	Pinchcock - Complete Closure	Nickel plated Zinc	0 in.–0.43 in.	0 mm–11 mm			
30392245	Flow Control Pinchcock, CLF-PKRGZ	Pinchcock - Complete Closure	Nickel plated Zinc	0 in.–0.47 in.	0 mm–12 mm			

\*An additional holder is required in order to attach clamps to lab-frames and other apparatus

Height (in.)	Height (mm)	Length (in.)	Length (mm)	Width (in.)	Width (mm)	Arm Diameter (in.)	Arm Diameter (mm)	Flow Style	Photo
4.25 in.	108 mm		173.00 mm	6.8 in.	173 mm				
4.25 in.	108 mm	6.80 in.	173 mm						
		3.50 in	89 mm						
		4.61 in.	117 mm						
		8.11 in.	206 mm			0.51 in.	13 mm		
		15.12 in.	384 mm			0.51 in.	13 mm		
		8.11 in.	206 mm			0.51 in.	13 mm		
		7.4 in.	188 mm			0.51 in.	13 mm		
		11.1 in.	282 mm			0.43 in.	11 mm		
		14.49 in.	368 mm			0.43 in.	11 mm		
		13.31 in.	338 mm			0.43 in.	11 mm		
		12.41 in.	315 mm			0.43 in.	11 mm		
2.44 in.	62 mm			1.46 in.	37 mm			Adjustable Control	
4.17 in.	106 mm			2.24 in.	57 mm			Adjustable Control	
2.44 in.	62 mm			1.46 in.	37 mm			Adjustable Control	
2.44 in.	62 mm			1.46 in.	37 mm			Adjustable Control	
		6.89 in.	175 mm			0.32 in.	8 mm	Adjustable Control	
1.85 in.	47 mm							Complete Closure	
1.89 in.	48 mm							Complete Closure	
1.85 in.	47 mm							Complete Closure	

# Specialty Clamps\*

Material Number	Clamp Description	Clamp Style	Material	Grip Range (in.)	Grip Range (mm)	Arm Length (in.)	Arm Length (mm)
30392366	Specialty, Kettle, CLS-KTLCLM	Kettle					
30392365	Specialty, Kettle, CLS-KTLCLS	Kettle					
30392236	Specialty, Double Jaw, CLS-DBJAWZ	Double 2-Prong Single Adjust	Nickel plated Zinc	0 in.–3 in.	0 mm–76 mm		
30392242	Specialty, Electrode, CLS-ELECTZ	Electrode	Nickel plated Zinc				
30392318	Specialty, Nester, CLS-NESTXS	Nester	Stainless Steel	1.97 in.–4 in.	50 mm–102 mm	5.98 in.	152 mm
30392348	Specialty Open Ring, CLS-OPENRPL	Open Ring	PVC			12 in.	305 mm
30392345	Specialty, Open Ring, CLS-OPENRAL	Open Ring	Aluminum			2.4 in.	61 mm
30392344	Specialty, Open Ring, CLS-OPENRAM	Open Ring	Aluminum			2.28 in.	58 mm
30392346	Specialty Open Ring, CLS-OPENRPS	Open Ring	PVC			10 in.	254 mm
30392347	Specialty Open Ring, CLS-OPENRPM	Open Ring	PVC			12 in.	305 mm
30392343	Specialty, Open Ring, CLS-OPENRAS	Open Ring	Aluminum			2.28 in.	58 mm
30392237*	Specialty, Support, CLS-SPPRTB	Support	Nickel plated Zinc				
30392243*	Specialty, Suspension, CLS-SUSPNB	Suspension	Nickel plated Zinc				
30392244	Specialty, Wall, CLS-WALLCZ	2-Prong Dual Adjust Wall Mount	Nickel plated Zinc	0.2 in.–0.39 in.	5 mm–10 mm		
30392238*	Specialty Thermometer, CLS-THMSWZ	Thermometer	Nickel plated Zinc	0.24 in.–0.32 in.	6 mm–8 mm		
30392239	Specialty Thermometer, CLS-THMEXZ	Thermometer	Nickel plated Zinc	0.24 in.–0.47 in.	6 mm–12 mm	5 in.	127 mm
30392367	Non-Electrical, CLN-AIREJ	Airejector	Nickel plated Zinc				

\*Clamps with an asterisk \* have a built-in holder for securing to lab frames and other apparatus



Size	Length (in.)	Length (mm)	Arm Diameter (in.)	Arm Diameter (mm)	Diameter (in.)	Diameter (mm)	Photo
2000 mL, 3000 mL, 4000 mL Flask							
500 mL, 1000 mL Flask							
	8.74 in.	222 mm					
	7.00 in.	178 mm					
	10.32 in.	262 mm	0.39 in.	10 mm			
	16.81 in.	427 mm	0.43 in.	11 mm	5 in.	127 mm	
	7.20 in.	183 mm	0.43 in.	11 mm	5 in.	127 mm	
	6.22 in.	158 mm	0.35 in.	9 mm	4 in.	102 mm	
	12.91 in.	382 mm	0.35 in.	9 mm	3 in.	76 mm	
	15.91 in.	404 mm	0.35 in.	9 mm	4 in.	102 mm	
	5.2 in.	132 mm	0.35 in.	9 mm	3 in.	76 mm	
	5.99 in.	152 mm					
	5.39 in.	137 mm					
	3.15 in.	80 mm					
	6.26 in.	159 mm					
	8.27 in.	210 mm	0.43 in.	11 mm			
	5.51 in.	140 mm					

# Specialty Clamps



30392314  
Column Clamp,  
Stainless Steel



30392214\*  
Multi-Purpose Clamp,  
3-Prong Dual Adjust  
Nickel plated



30392209  
2-Prong Dual Adjust  
Stainless Steel

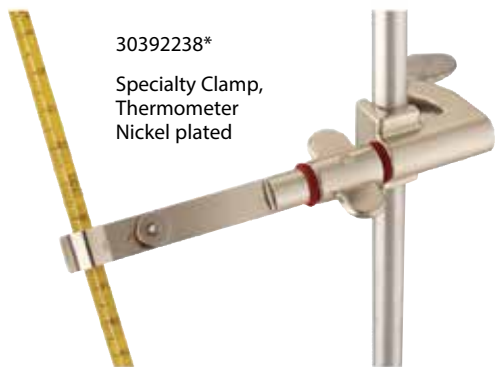
30392218\*  
2-Prong Single Adjust  
Nickel plated



30392353  
3-Prong Dual Adjust  
Stainless Steel



30392251  
3-Prong Dual Adjust  
Nickel plated



30392238\*  
Specialty Clamp,  
Thermometer  
Nickel plated



30392346  
Specialty Clamp,  
Open Ring  
PVC

\*Clamps with an asterisk \* have a built-in holder for securing to lab frames and other apparatus

## Other Standard Features and Equipment

Non-slip vinyl sleeves, and fiberglass covers for temperatures above 100°C (included with all 2 and 3-prong clamps)

80775665 20190108 © Copyright OHAUS Corporation

### OHAUS CORPORATION

7 Campus Drive  
Suite 310  
Parsippany, NJ 07054 USA

Tel: 800.672.7722  
973.377.9000  
Fax: 973.944.7177

[www.ohaus.com](http://www.ohaus.com)

*The management system  
governing the manufacture  
of this product is  
ISO 9001:2015 certified.*

