



# DEFENDER® 6000

Hybrid Washdown Bench Scales



EasyConnect™



## Washdown Bench Scale for Standard Industrial Applications

The Defender 6000 series hybrid washdown bench scale is ideal for a multitude of applications, including production and packaging. Handles demanding applications with the Defender 6000 indicator and Defender 5000 W series washdown base. The Defender 6000 hybrid is designed to simplify demanding industrial and commercial applications.

### Unique Features Include:

- Defender 6000 Hybrid stands up to harsh cleaning in processing and packaging environments with IP68 immersion/IP69K protected indicator, 304 stainless steel construction and IP67 stainless steel load cell.
- Large digits on a bright backlit LCD or white LED display quickly and clearly show results for fast processing. Color bar in i-DT61PW can be used for quick checking of package weights for fast go/no-go alert. Configurable color bar matrix in i-DT61XWE can be used for detailed checking of package weights to ensure compliance.
- Durably constructed with a stainless steel platform, frame, IP67 loadcell and IP68/69K indicator, Defender 6000 hybrid meets NTEP and Measurement Canada approvals.

# DEFENDER® 6000 Hybrid Washdown Bench Scales

## Specifications

### Column Mount Bench Scales (Stainless Steel Indicator)

| Model                                      | i-D61XWE2WQS6  | i-D61XWE5WQS6   | i-D61XWE12WQS6  | i-D61XWE12WQR6   | i-D61XWE25WQR6                                     | i-D61XWE50WQR6                                       | i-D61XWE25WQL7  | i-D61XWE50WQL7                                       | i-D61XWE125WQL7                                      |
|--|--|---|---|--|--|--|---|--|--|
| Capacity x Default Readability             | 2.5 kg x 0.1g<br>5 lb x 0.0002 lb<br>80 oz x 0.005 oz  | 5 kg x 0.2 g<br>10 lb x 0.0005 lb<br>160 oz x 0.01 oz | 12.5 kg x 0.5 g<br>25 lb x 0.001 lb<br>400 oz x 0.02 oz | 12.5 kg x 0.5 g<br>25 lb x 0.001 lb<br>400 oz x 0.02 oz                    | 25 kg x 1g<br>50 lb x 0.002 lb<br>800 oz x 0.05 oz | 50 kg x 2 g<br>100 lb x 0.005 lb<br>1600 oz x 0.1 oz | 25 kg x 1g<br>50 lb x 0.002 lb<br>800 oz x 0.05 oz                          | 50 kg x 2 g<br>100 lb x 0.005 lb<br>1600 oz x 0.1 oz | 125 kg x 5 g<br>250 lb x 0.01 lb<br>4000 oz x 0.2 oz |
| Maximum Displayed Resolution               | 1: 25,000  | 1: 25,000   | 1: 25,000   | 1: 25,000  | 1: 25,000  | 1: 25,000  | 1: 25,000   | 1: 25,000  | 1: 25,000  |
| Linearity/ Repeatability                   | ±2d  |   |   |  |  |  |   |  |  |
| Capacity x Certified/ Approved Readability | 2.5 kg x 0.5 g<br>5 lb x 0.001 lb<br>80 oz x 0.02 oz   | 5 kg x 1 g<br>10 lb x 0.002 lb<br>160 oz x 0.05 oz    | 12.5 kg x 5 g<br>25 lb x 0.005 lb<br>400 oz x 0.1 oz    | 12.5 kg x 5 g<br>25 lb x 0.005 lb<br>400 oz x 0.1 oz                       | 25 kg x 5 g<br>50 lb x 0.01 lb<br>800 oz x 0.2 oz  | 50 kg x 10 g<br>100 lb x 0.02 lb<br>1600 oz x 0.5 oz | 25 kg x 5 g<br>50 lb x 0.01 lb<br>800 oz x 0.2 oz                           | 50 kg x 10 g<br>100 lb x 0.02 lb<br>1600 oz x 0.5 oz | 125 kg x 50 g<br>250 lb x 0.05 lb<br>4000 oz x 1 oz  |
| Maximum Certified Resolution               | 1:5,000  | 1:5,000   | 1:5,000   | 1:5,000  | 1:5,000  | 1:5,000  | 1:5,000   | 1:5,000  | 1:5,000  |
| Indicator                                  | i-DT61XWE  |   |   |  |  |  |   |  |  |
| Column                                     | 13.8 in / 350 mm stainless steel   |   |   |  |  |  | 26.8 in / 680 mm stainless steel  |  |  |
| Base Construction                          | Stainless steel removable weighing platform with stainless steel frame, silicon-sealed IP67 stainless steel loadcell |   |   |  |  |  |   |  |  |
| Safe Overload Capacity                     | 150% of maximum capacity   |   |   |  |  |  |   |  |  |
| Stabilization Time                         | Within 1 second  |   |   |  |  |  |   |  |  |
| Operating Temperature Range                | 14°F to 104°F / -10°C to 40°C  |   |   |  |  |  |   |  |  |
| Scale Dimensions (A x B x C x D x E x F)   | 10 x 10 x 2.9 x 1.8 x 24.1 x 15.1 in<br>254 x 254 x 74 x 45 x 613 x 383 mm   |   |   | 12 x 12 x 3.7 x 2.4 x 24.3 x 17.4 in<br>305 x 305 x 95 x 60 x 617 x 442 mm |  |  | 18 x 18 x 4.3 x 2.8 x 37.3 x 24.7 in<br>457 x 457 x 110 x 70 x 947 x 627 mm |  |  |
| Shipping Dimensions (L x W x H)            | 18.9 x 17.5 x 14.3 in<br>480 x 445 x 363 mm  |   |   |  |  |  | 39.1 x 26.8 x 9.25 in<br>994 x 680 x 235 mm                                 |  |  |
| Approx. Net Weight                         | 22.1 lb / 10 kg  |   |   | 26.5 lb / 12 kg  |  |  | 44.1 lb / 20 kg   |  |  |
| Approx. Shipping Weight                    | 26.5 lb / 12 kg  |   |   | 30.9 lb / 14 kg  |  |  | 50.7 lb / 23 kg   |  |  |

# DEFENDER® 6000 Hybrid Washdown Bench Scales

## Specifications

### Column Mount Bench Scales (Polycarbonate Plastic Indicator)

| Model                                      | i-D61PW2WQS6   | i-D61PW5WQS6  | i-D61PW12WQS6   | i-D61PW12WQR6  | i-D61PW25WQR6                                      | i-D61PW50WQR6  | i-D61PW25WQL7   | i-D61PW50WQL7  | i-D61PW125WQL7                                       |
|--|--|---|---|--|--|--|---|--|--|
| Capacity x Default Readability             | 2.5 kg x 0.1g<br>5 lb x 0.0002 lb<br>80 oz x 0.005 oz  | 5 kg x 0.2 g<br>10 lb x 0.0005 lb<br>160 oz x 0.01 oz | 12.5 kg x 0.5 g<br>25 lb x 0.001 lb<br>400 oz x 0.02 oz | 12.5 kg x 0.5 g<br>25 lb x 0.001 lb<br>400 oz x 0.02 oz                    | 25 kg x 1g<br>50 lb x 0.002 lb<br>800 oz x 0.05 oz | 50 kg x 2 g<br>100 lb x 0.005 lb<br>1600 oz x 0.1 oz | 25 kg x 1g<br>50 lb x 0.002 lb<br>800 oz x 0.05 oz                          | 50 kg x 2 g<br>100 lb x 0.005 lb<br>1600 oz x 0.1 oz | 125 kg x 5 g<br>250 lb x 0.01 lb<br>4000 oz x 0.2 oz |
| Maximum Displayed Resolution               | 1: 25,000  | 1: 25,000   | 1: 25,000   | 1: 25,000  | 1: 25,000  | 1: 25,000  | 1: 25,000   | 1: 25,000  | 1: 25,000  |
| Linearity/ Repeatability                   | ±2d  |   |   |  |  |  |   |  |  |
| Capacity x Certified/ Approved Readability | 2.5 kg x 0.5 g<br>5 lb x 0.001 lb<br>80 oz x 0.02 oz   | 5 kg x 1 g<br>10 lb x 0.002 lb<br>160 oz x 0.05 oz    | 12.5 kg x 5 g<br>25 lb x 0.005 lb<br>400 oz x 0.1 oz    | 12.5 kg x 5 g<br>25 lb x 0.005 lb<br>400 oz x 0.1 oz                       | 25 kg x 5 g<br>50 lb x 0.01 lb<br>800 oz x 0.2 oz  | 50 kg x 10 g<br>100 lb x 0.02 lb<br>1600 oz x 0.5 oz | 25 kg x 5 g<br>50 lb x 0.01 lb<br>800 oz x 0.2 oz                           | 50 kg x 10 g<br>100 lb x 0.02 lb<br>1600 oz x 0.5 oz | 125 kg x 50 g<br>250 lb x 0.05 lb<br>4000 oz x 1 oz  |
| Maximum Certified Resolution               | 1:5,000  | 1:5,000   | 1:5,000   | 1:5,000  | 1:5,000  | 1:5,000  | 1:5,000   | 1:5,000  | 1:5,000  |
| Indicator                                  | i-DT61PW   |   |   |  |  |  |   |  |  |
| Column                                     | 13.8 in / 350 mm stainless steel   |   |   |  |  |  | 26.8 in / 680 mm stainless steel  |  |  |
| Base Construction                          | Stainless steel removable weighing platform with stainless steel frame, silicon-sealed IP67 stainless steel loadcell |   |   |  |  |  |   |  |  |
| Safe Overload Capacity                     | 150% of maximum capacity   |   |   |  |  |  |   |  |  |
| Stabilization Time                         | Within 1 second  |   |   |  |  |  |   |  |  |
| Operating Temperature Range                | 14°F to 104°F / -10°C to 40°C  |   |   |  |  |  |   |  |  |
| Scale Dimensions (A x B x C x D x E x F)   | 10 x 10 x 2.9 x 1.8 x 23.6 x 15.1 in<br>254 x 254 x 74 x 45 x 600 x 383 mm   |   |   | 12 x 12 x 3.7 x 2.4 x 23.8 x 17.4 in<br>305 x 305 x 95 x 60 x 604 x 442 mm |  |  | 18 x 18 x 4.3 x 2.8 x 36.8 x 24.7 in<br>457 x 457 x 110 x 70 x 934 x 627 mm |  |  |
| Shipping Dimensions (L x W x H)            | 18.9 x 17.5 x 14.3 in<br>480 x 445 x 363 mm  |   |   |  |  |  | 39.1 x 26.8 x 9.25 in<br>994 x 680 x 235 mm                                 |  |  |
| Approx. Net Weight                         | 22.1 lb / 10 kg  |   |   | 26.5 lb / 12 kg  |  |  | 44.1 lb / 20 kg   |  |  |
| Approx. Shipping Weight                    | 26.5 lb / 12 kg  |   |   | 30.9 lb / 14 kg  |  |  | 50.7 lb / 23 kg   |  |  |

### Front Mount Bench Scales

| Model                                      | i-D61PW2WQS5   | i-D61PW5WQS5  | i-D61PW12WQS5   | i-D61PW12WQR5   | i-D61PW25WQR5                                      | i-D61PW50WQR5  | i-D61PW25WQL5  | i-D61PW50WQL5  | i-D61PW125WQL5                                       |
|--|--|---|---|---|--|--|--|--|--|
| Capacity x Default Readability             | 2.5 kg x 0.1g<br>5 lb x 0.0002 lb<br>80 oz x 0.005 oz  | 5 kg x 0.2 g<br>10 lb x 0.0005 lb<br>160 oz x 0.01 oz | 12.5 kg x 0.5 g<br>25 lb x 0.001 lb<br>400 oz x 0.02 oz | 12.5 kg x 0.5 g<br>25 lb x 0.001 lb<br>400 oz x 0.02 oz                   | 25 kg x 1g<br>50 lb x 0.002 lb<br>800 oz x 0.05 oz | 50 kg x 2 g<br>100 lb x 0.005 lb<br>1600 oz x 0.1 oz | 25 kg x 1g<br>50 lb x 0.002 lb<br>800 oz x 0.05 oz                         | 50 kg x 2 g<br>100 lb x 0.005 lb<br>1600 oz x 0.1 oz | 125 kg x 5 g<br>250 lb x 0.01 lb<br>4000 oz x 0.2 oz |
| Maximum Displayed Resolution               | 1: 25,000  | 1: 25,000   | 1: 25,000   | 1: 25,000   | 1: 25,000  | 1: 25,000  | 1: 25,000  | 1: 25,000  | 1: 25,000  |
| Linearity/ Repeatability                   | ±2d  |   |   |   |  |  |  |  |  |
| Capacity x Certified/ Approved Readability | 2.5 kg x 0.5 g<br>5 lb x 0.001 lb<br>80 oz x 0.02 oz   | 5 kg x 1 g<br>10 lb x 0.002 lb<br>160 oz x 0.05 oz    | 12.5 kg x 5 g<br>25 lb x 0.005 lb<br>400 oz x 0.1 oz    | 12.5 kg x 5 g<br>25 lb x 0.005 lb<br>400 oz x 0.1 oz                      | 25 kg x 5 g<br>50 lb x 0.01 lb<br>800 oz x 0.2 oz  | 50 kg x 10 g<br>100 lb x 0.02 lb<br>1600 oz x 0.5 oz | 25 kg x 5 g<br>50 lb x 0.01 lb<br>800 oz x 0.2 oz                          | 50 kg x 10 g<br>100 lb x 0.02 lb<br>1600 oz x 0.5 oz | 125 kg x 50 g<br>250 lb x 0.05 lb<br>4000 oz x 1 oz  |
| Maximum Certified Resolution               | 1:5,000  | 1:5,000   | 1:5,000   | 1:5,000   | 1:5,000  | 1:5,000  | 1:5,000  | 1:5,000  | 1:5,000  |
| Indicator                                  | i-DT61PW   |   |   |   |  |  |  |  |  |
| Mount                                      | 316 stainless steel front-mount bracket with handle  |   |   |   |  |  |  |  |  |
| Base Construction                          | Stainless steel removable weighing platform with stainless steel frame, silicon-sealed IP67 stainless steel loadcell |   |   |   |  |  |  |  |  |
| Safe Overload Capacity                     | 150% of maximum capacity   |   |   |   |  |  |  |  |  |
| Stabilization Time                         | Within 1 second  |   |   |   |  |  |  |  |  |
| Operating Temperature Range                | 14°F to 104°F / -10°C to 40°C  |   |   |   |  |  |  |  |  |
| Scale Dimensions (A x B x C x D x E x F)   | 10 x 10 x 2.9 x 1.8 x 5.1 x 20.8 in<br>254 x 254 x 74 x 45 x 129 x 529 mm  |   |   | 12 x 12 x 3.7 x 2.4 x 5.1 x 23.1 in<br>305 x 305 x 95 x 60 x 129 x 588 mm |  |  | 18 x 18 x 4.3 x 2.8 x 5.1 x 28.9 in<br>457 x 457 x 110 x 70 x 129 x 734 mm |  |  |
| Shipping Dimensions (L x W x H)            | 18.9 x 17.5 x 14.3 in<br>480 x 445 x 363 mm  |   |   |   |  |  | 39.1 x 26.8 x 9.25 in<br>994 x 680 x 235 mm                                |  |  |
| Approx. Net Weight                         | 22.1 lb / 10 kg  |   |   | 24.3 lb / 11 kg   |  |  | 39.7 lb / 18 kg  |  |  |
| Approx. Shipping Weight                    | 26.5 lb / 12 kg  |   |   | 28.7 lb / 13 kg   |  |  | 46.3 lb / 21 kg  |  |  |

# DEFENDER® 6000 Hybrid Washdown Bench Scales

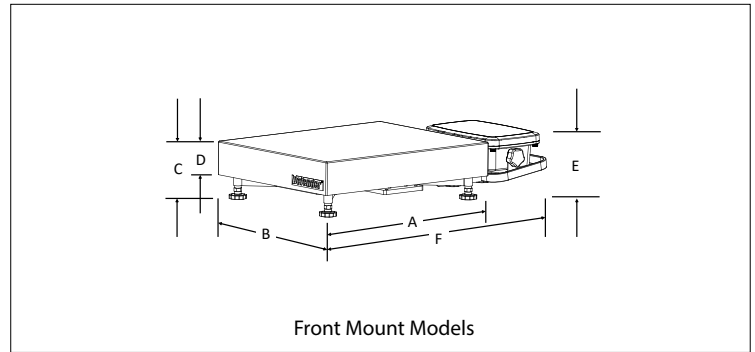
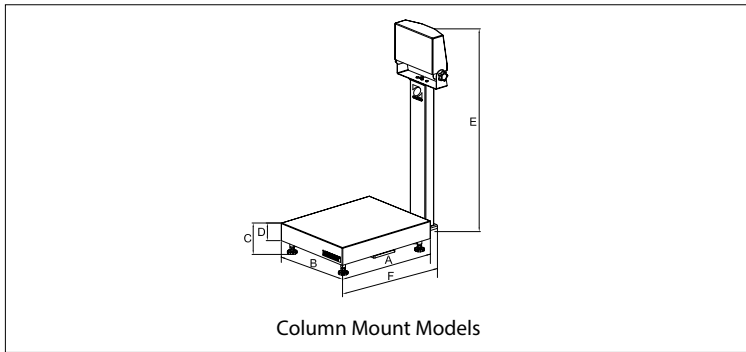
## Indicators

| MODEL              | i-DT61PW  | i-DT61XWE  |
|--------------------|---|--|
| Construction       | Polycarbonate plastic housing, 316 stainless steel bracket  | 316 Stainless steel housing, 316 stainless steel bracket   |
| Protection         | IP68 immersion / IP69K washdown   |  |
| Weighing Units     | Kilogram, Gram, Pound, Ounce, Pound: Ounce, Tonne (Metric Tonne)  | Kilogram, Gram, Pound, Ounce, Pound: Ounce   |
| Application Modes  | Weighing, Checkweighing, Percent Weighing, Dynamic Weighing/Display Hold, Counting with APW optimization, Checkcounting, Filling (i-DT61XWE only) |  |
| Display            | 6-digit, 7-segment LCD display with white backlight, 45 mm / 1.8 in high digits   | 6-digit, 7-segment white LED, 20 mm / 0.8 in high digits   |
| Check Indicator    | 3 Color (red, green, yellow) LED Bar  | 3 color (red, green, orange) 8x16 dot matrix LED   |
| Keyboard           | 6 function mechanical keys  | 6 function + 12 numeric capacitive keypad  |
| Auto-zero Tracking | Off, 0.5 d, 1 d or 3 d  |  |
| Zeroing Range      | 2% or 100% of capacity  |  |
| Interface          | Optional IR Communication Kit (with magnetic front panel connection)  | RS232 and USB Host included<br>Optional Ethernet, WiFi/Bluetooth, 2nd RS232/RS485/USB Device, Analog Output, 2 In/4 Out Discrete I/O |
| Power              | 6 x D type cell battery   | 100-240 VAC / 50/60 Hz Universal Power Supply, hardwired or external power bank  |
| Battery Life       | Up to 1,600 hours continuous use with backlight off   | Depends on the capacity of power bank used (Up to 55 hours with 20,000mAh power bank)  |
| Calibration        | Zero, Span or 3 point-Linear  |  |

## Other Standard Features & Equipment

Menu password protection (i-D61XWE models), customizable print templates, menu and key lock, selectable environmental and auto-print settings, stability indicator, overload/underload indicators, low battery indicator (i-D61PW models), auto shut-off, auto tare, non-slip adjustable rubber feet

## Outline Dimensions



## Compliance

- **Metrology:** NTEP (Indicator: CC 20-043, Platforms: CC 18-077) Class III, Measurement Canada (Indicator: NoA AM-6159, Platforms: NoA AM-6107)
- **Product Safety:** CAN/CSA C22.2 61010-1; UL61010-1; IEC/EN 61010-1
- **Electromagnetic Compatibility:** FCC Part 15 Class A; Canada ICES-003 Class A; IEC/EN 61326-1 Class B, basic environments
- **Food Safety:** ANSI/NSF 169 (Indicator only)
- **Ingress Protection:** IEC 60529 – IP68 (Indicator), ISO 20653 – IP69K (Indicator), IEC 60529 – IP67 (Load cell)
- **Compliance Marks:** CSA, CE
- **Other:** WEEE, RoHS

## Accessories

- Wi-Fi/Bluetooth Dongle i-DT61XW..... 30412537
- Analog Output Kit i-DT61XW ..... 30424403
- 2nd RS232/RS485/USB Device Kit i-DT61XW ..... 30424404
- LC Extension Cable, 9 meters ..... 30424409
- M16 Gland with Ferrite ..... 30379716
- Light Tower, 3 Colors, 243mm, IP65 (Requires 30097591) ..... 30424021
- Discrete I/O with Relays (2 In/4 Out) i-DT61XW ..... 30097591
- Ethernet Kit i-DT61XW ..... 30429666
- External Power Bank Holder i-DT61XW (requires external USB power bank) ..... 30572907
- Cable RS232 i-DT61XW ..... 80500552
- Column Kit, 13.8 in / 35 cm, SST, D52 ..... 30424413
- Column Kit, 26.8 in / 68 cm, SST, D52 ..... 30424414
- Column Kit, 38.6 in / 98 cm, SST, D52 ..... 30424415
- Front Mounting Kit 316 SS i-DT61PW ..... 30424024
- IR communication Kit i-DT61PW ..... 30572910
- Wheel Kit SS Defender Series ..... 30616409
- Alibi Memory i-DT61XW ..... 80500503

80776678\_A 20210823 © Copyright OHAUS Corporation

**OHAUS CORPORATION**  
\* 7 Campus Drive  
Suite 310  
Parsippany, NJ 07054 USA

Tel: 800.672.7722  
973.377.9000  
Fax: 973.944.7177

[www.ohaus.com](http://www.ohaus.com)

With offices throughout  
Europe, Asia, and  
Latin America

\*ISO 9001:2015  
Registered Quality  
Management System

