

esybox LINE

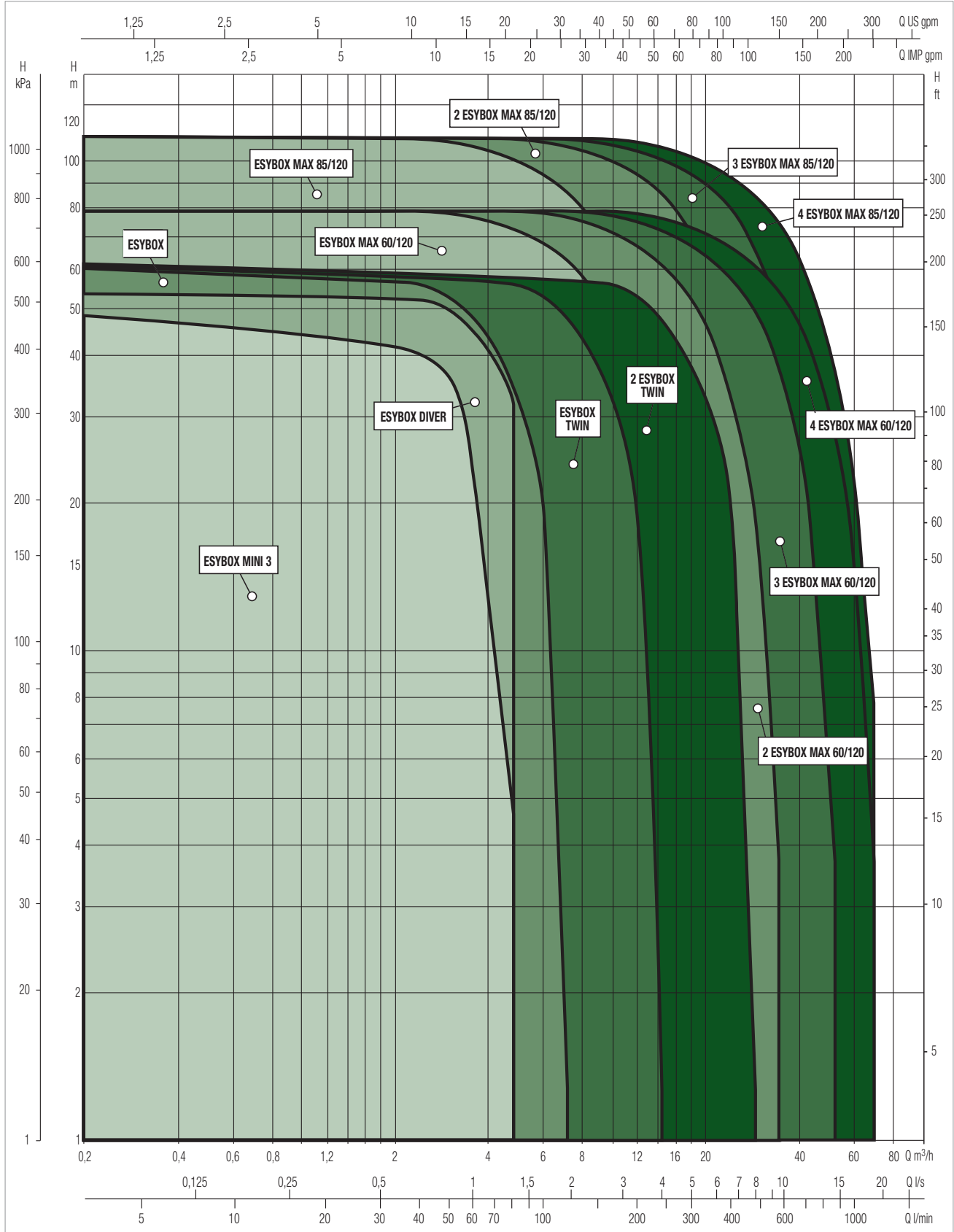
ELECTRONIC BOOSTER SETS



PERFORMANCE RANGE

The performance curves are based on kinematic viscosity values = 1 mm²/s and density equivalent to 1000 kg/m³. Curve tolerance according to ISO 9906.

GRAPHIC SELECTION TABLE



ESYBOX MINI ³

MODEL	Q=m ³ /h	0	0,6	1,2	1,8	2,4	3	3,6	4,2	4,8	5,4	6	6,6	7,2
	Q=l/min	0	10	20	30	40	50	60	70	80	90	100	110	120
ESYBOX MINI ³	H (m)	55	55	55	49	39	31	23	14	4				

ESYBOX

MODEL	Q=m ³ /h	0	0,6	1,2	1,8	2,4	3	3,6	4,2	4,8	5,4	6	6,6	7,2
	Q=l/min	0	10	20	30	40	50	60	70	80	90	100	110	120
ESYBOX	H (m)	65	63,5	61,5	59,5	57	53	48	41,5	35	27,5	19	10	2

ESYBOX DIVER

MODEL	Q=m ³ /h	0	0,6	1,2	1,8	2,4	3	3,6	4,2	4,8	5,4	6	6,6	7,2
	Q=l/min	0	10	20	30	40	50	60	70	80	90	100	110	120
ESYBOX DIVER	H (m)	55	55	55	55	55	55	53	44	34	26	17	7,5	

ESYBOX TWIN

MODEL	Q=m ³ /h	0	1,2	2,4	3,6	4,8	6,0	7,2	8,4	9,6	10,8	12	13,2	14,4
	Q=l/min	0	20	40	60	80	100	120	140	160	180	200	220	240
2 ESYBOX WITH ESYTWIN	H (m)	65	63,5	61,5	59,5	57	53	48	41,5	35	27,5	19	10	2

MODEL	Q=m ³ /h	0	2,4	4,8	7,2	9,6	12	14,4	16,8	19,2	21,6	24	26,4	28,8
	Q=l/min	0	40	80	120	160	200	240	280	320	360	400	440	480
2 X 2 ESYBOX WITH ESYTWIN	H (m)	65	63,5	61,5	59,5	57	53	48	41,5	35	27,5	19	10	2

ESYBOX MAX

MODEL	Q=m ³ /h	0,012	2,4	3,6	4,8	6	7,2	8,4	9	9,6	10,8	11,4	14,4	17,4
	Q=l/min	0,2	40	60	80	100	120	140	150	160	180	190	240	290
ESYBOX MAX 60/120 M	H (mt)	69	69	69	69	69	61	53	50	46,5	40,5	37,2	21	3,9
ESYBOX MAX 60/120 T		69	69	69	69	69	61	53	50	46,5	40,5	37,2	21	3,9
ESYBOX MAX 85/120 T		96	96	96	96	96	84	75	71	65,0	56,7	51,6	29	9

MODEL	Q=m ³ /h	0,024	4,8	7,2	9,6	12	14,4	16,8	18	19,2	21,6	22,8	28,8	34,8
	Q=l/min	0,4	80	120	160	200	240	280	300	320	360	380	480	580
2 ESYBOX MAX 60/120 M	H (mt)	69	69	69	69	69	61	53	50	46,5	40,5	37,2	21	3,9
2 ESYBOX MAX 60/120 T		69	69	69	69	69	61	53	50	46,5	40,5	37,2	21	3,9
2 ESYBOX MAX 85/120 T		96	96	96	96	96	84	75	71	65,0	56,7	51,6	29	9

MODEL	Q=m ³ /h	0,036	7,2	10,8	14,4	18	21,6	25,2	27	28,8	32,4	34,2	43,2	52,2
	Q=l/min	0,6	120	180	240	300	360	420	450	480	540	570	720	870
3 ESYBOX MAX 60/120 M	H (mt)	69	69	69	69	69	61	53	50	46,5	40,5	37,2	21	3,9
3 ESYBOX MAX 60/120 T		69	69	69	69	69	61	53	50	46,5	40,5	37,2	21	3,9
3 ESYBOX MAX 85/120 T		96	96	96	96	96	84	75	71	65,0	56,7	51,6	29	9

MODEL	Q=m ³ /h	0,048	9,6	14,4	19,2	24	28,8	33,6	36	38,4	43,2	45,6	57,6	69,6
	Q=l/min	0,8	160	240	320	400	480	560	600	640	720	760	960	1160
4 ESYBOX MAX 60/120 M	H (mt)	69	69	69	69	69	61	53	50	46,5	40,5	37,2	21	3,9
4 ESYBOX MAX 60/120 T		69	69	69	69	69	61	53	50	46,5	40,5	37,2	21	3,9
4 ESYBOX MAX 85/120 T		96	96	96	96	96	84	75	71	65,0	56,7	51,6	29	9



TECHNICAL DATA

Flow rate: 4,8 m³/h

Head: 55 m

Type of pumped liquid : Clean, free from solid or abrasive substances, non-viscous, non-aggressive, non-crystallized and chemically neutral

Liquid temperature:

From +0°C to +35°C for domestic use

From +0°C to +40°C for other use

Maximum ambient temperature: +50°C

Maximum Suction depth: 8 m

Maximum Operation pressure: 7,5 bar / 750 kPa

Motor protection class: IP X4

Motor insulation class: F

Impeller material: Technopolymer

Single phase power input: 230 V 50 Hz

Power cord (m) and plug: 1,5 meter with power plug

Type of installation: Fixed, vertically, horizontally or on the wall with special accessories (supplied separately)

Certification: WRAS, ACS

Electronic self-priming multi-impeller pressurization system for rainwater reuse, ground water, gardening and irrigation and for watering small gardens in residential building service. Possibility of remote control thanks to the DConnect service (with DConnect Box supplied separately).

CONSTRUCTION FEATURES OF THE PUMP

Self-priming multi-impeller pump. Protective hull in sound-absorbing ABS. Technopolymer impellers. Motor shaft in stainless steel. Non-return valve and integrated expansion vessel.

CONSTRUCTION FEATURES OF THE MOTOR

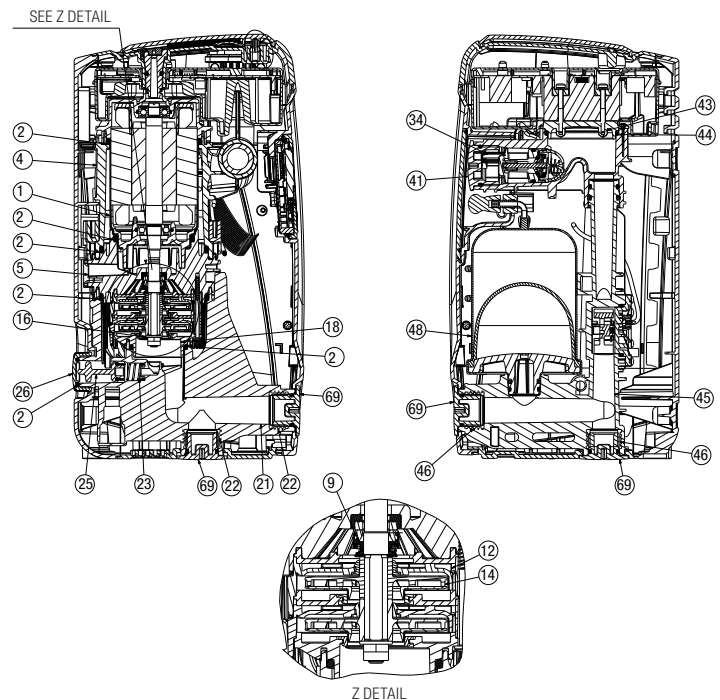
Motor cooled by pumped liquid, stainless steel motor jacket. Complete with power cable and plug.

CONSTRUCTION FEATURES OF THE ELECTRONIC

Adjustable display. The variable frequency drive function saves energy and protects against water hammer. Guided procedure for the first start-up, easy configuration, possibility to view the alarm history.

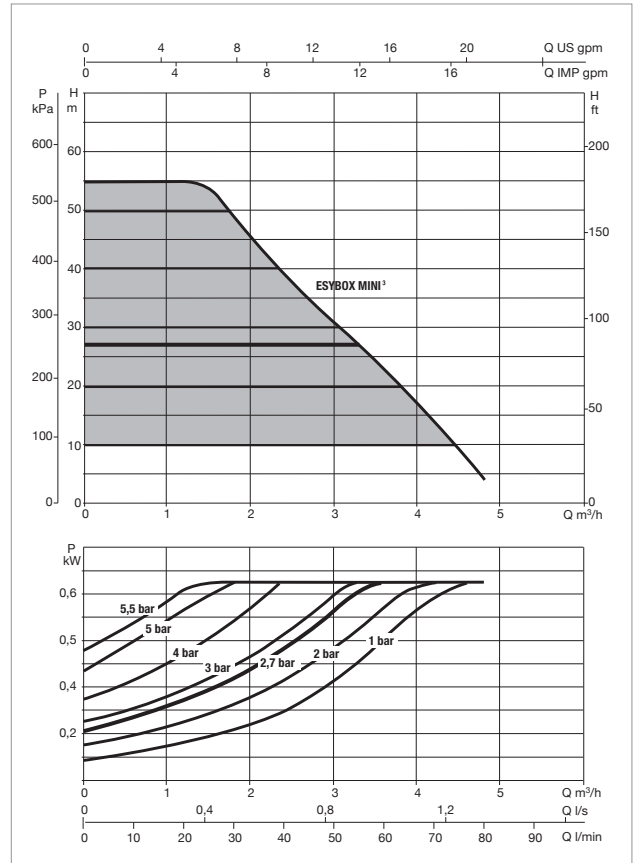
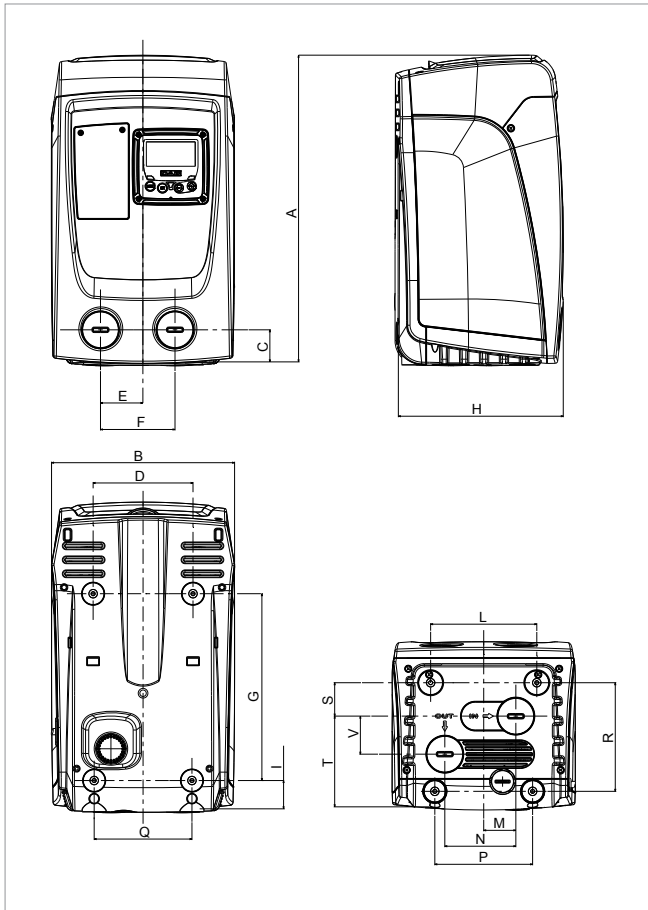
MATERIALS

N°	PARTS	MATERIALS
1	MOTOR SLEEVE	STAINLESS STEEL AISI 304
2	O-RING	NBR
4	MOTOR BODY	PP OMO 30% GF
5	MECHANICAL SEAL DISC	PA 6.6 30% GF
9	MECHANICAL SEAL	CARBON IMPREGNATED RESIN / CERAMIC / NBR
12	DIFFUSER	NORYL
14	IMPELLER	NORYL
21	SUCTION BODY	PP OMO 30% GF
22	INSERT 1"	BRASS
23	SHUTTER SPRING	STAINLESS STEEL AISI 303
25	SELFPRIMING SHUTTER	POM
26	1" PLUG	PP OMO 30% GF
34	NON RETURN VALVE	TECHNOPOLYMER / RUBBER / STEEL
41	1" 1/4 PLUG	PA 6.6 30% GF
43	HEAT SINK	BRASS
45	DELIVERY BODY	PP OMO 30% GF
46	INSERT 1"	BRASS
48	VESSEL 1L	TECHNOPOLYMER / RUBBER
51	FLOWMETER WHEEL	POM
56	PRESSURE SENSOR BODY	TECHNOPOLYMER
69	1" PLUG	PA 6.6 30% GF



ESYBOX MINI³ - ELECTRONIC PRESSURISATION SYSTEM

Liquid temperature range: from 0°C a +35°C for domestic use - from 0°C a +40°C for other uses. Maximum ambient temperature: +50°C



The performance curves are based on the kinematic viscosity values = 1 mm²/s and density equivalent to 1000 kg/m³. Curve tolerance according to ISO 9906.

MODEL	ELECTRICAL DATA				
	N° IMPELLER	POWER INPUT 50/60 Hz	P1 MAX		In A
			kW	HP	
ESYBOX MINI ³	3	1x220-240V ~	0,85	1,1	4,8
ESYBOX KIWA ³	3	1x220-240V ~	0,85	1,1	4,8

MODEL	A	B	C	D	E	F	G	H	I	L	M	N	P	Q	R	S	T	V	DNA	DNM	PACKING DIMENSIONS			WEIGHT Kg
																					L/A	L/B	H	
ESYBOX MINI ³	439	263	46	143	60,7	106,7	279,5	236	40,5	152	46	101,7	140	140	155,5	47,8	133	54,5	1"	1"	300	500	320	14,6
ESYBOX KIWA ³	439	263	46	143	60,7	106,7	279,5	236	40,5	152	46	101,7	140	140	155,5	47,8	133	54,5	1"	1"	300	500	320	14,6



TECHNICAL DATA

Flow rate: Up to a 7,2 m³/h
Head: 65 m
Type of pumped liquid : Clean, free from solid or abrasive substances, non-viscous, non-aggressive, non-crystallized and chemically neutral
Liquid temperature : +40°C
Maximum ambient temperature: +50°C
Maximum suction depth: 8 m
Maximum operation pressure: 8 bar / 800 kPa
Motor protection class: IP X4
Motor insulation class: F
Impeller material: Technopolymer
Single phase power input: 230 V 50 Hz
Power cord (m) and plug: 1,5 meters with power plug
Type of installation: Fixed, vertically, horizontally or on the wall with special accessories (supplied separately)
Certification: WRAS, ACS

Multi-impeller self-priming electronic system for pressurization, rainwater reuse, drawing ground water, gardening and irrigation and agriculture and irrigation in residential building service and commercial building service. Possibility to connect up to four Esybox together to create pressure units. Adjustable display. Possibility of remote control thanks to the DConnect service (with DConnect Box supplied separately). The careful choice of materials and the water-cooled motor make the pump particularly quiet, just 43 dB, suitable for installation even in living areas. Can be positioned vertically, horizontally or on the wall with special accessories (supplied separately).

CONSTRUCTION FEATURES OF THE PUMP

Self-priming multi-impeller pump. 2-liter expansion vessel incorporated. Protective hull in sound-absorbing ABS. Technopolymer impellers. Integrated flow and pressure sensors.

CONSTRUCTION FEATURES OF THE MOTOR

Motor cooled by the pumped liquid, stainless steel motor jacket. Motor shaft in AISI 303 stainless steel.

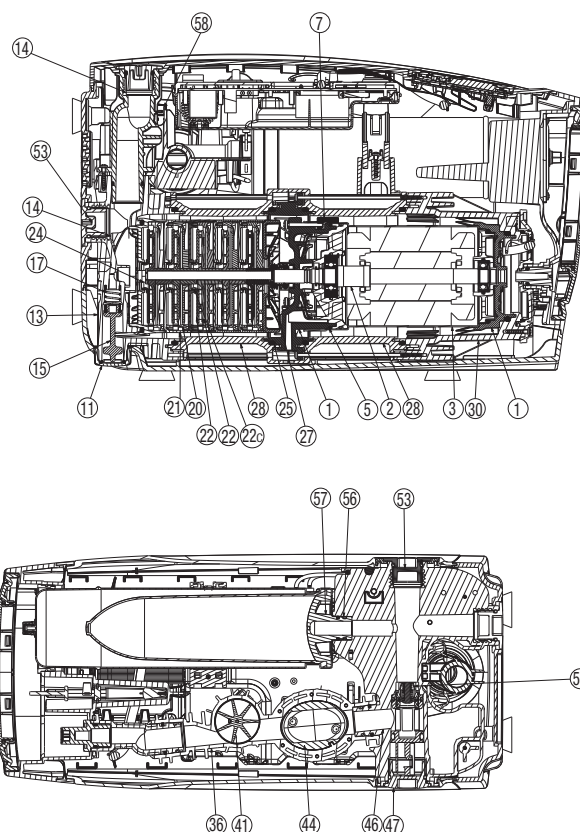
CONSTRUCTION FEATURES OF THE ELECTRONIC

Adjustable display. The variable frequency drive function saves energy and protects against water hammer. Integrated protections: protection from dry running, amperometric and anomalous voltages, overtemperature, frost, anti-blocking and anti-cycling. Construction according to CEI 2-3 / CEI 61-69 (EN 60335-2-41). Guided procedure for the first start-up, easy configuration, possibility to display the alarm history. Wireless connection.

MATERIALS

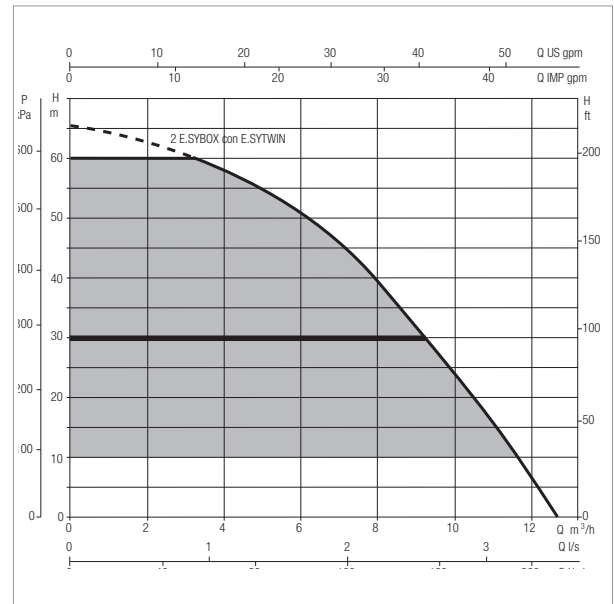
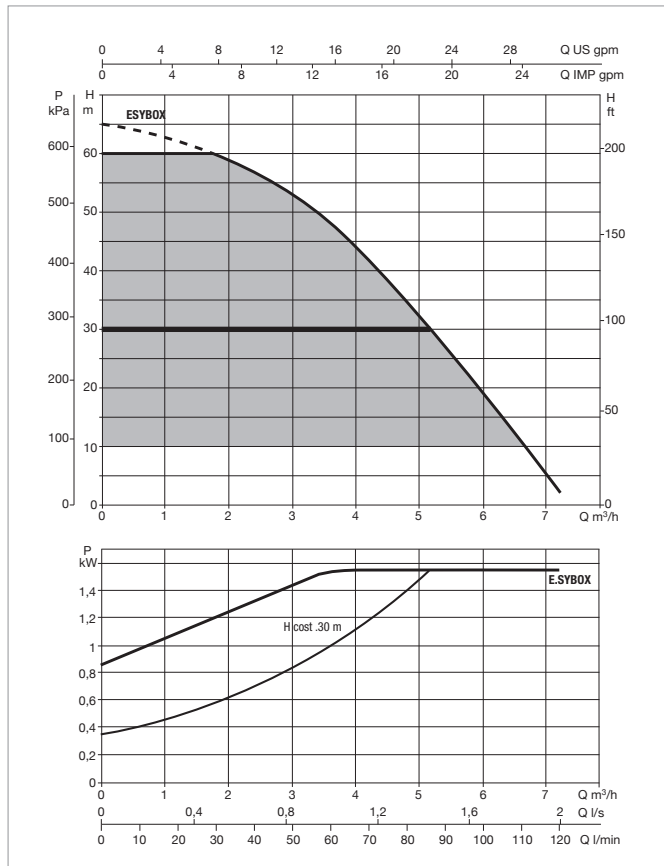
N°	PARTS *	MATERIALS
1	MOTOR FLANGE	TECHNOPOLYMER
2	ROTOR SHAFT	AISI 303 STAINLESS STEEL
3	MOTOR JACKET	AISI 304 STAINLESS STEEL
5	OR GASKET	NBR
7	SINTERED PLATE	AISI 304 STAINLESS STEEL
11	1" PLUG	TECHNOPOLYMER
13	SUCTION BODY	TECHNOPOLYMER
14	1" INSERT	NICKLED BRASS
15	SHUTTER	TECHNOPOLYMER
17	SPRING	AISI 303 STAINLESS STEEL
20	DIFFUSER	TECHNOPOLYMER
21	DIFFUSER BODY	TECHNOPOLYMER
22	IMPELLER	TECHNOPOLYMER
22c	SHIM RING	AISI 316 STAINLESS STEEL
24	NUT	AISI 316 STAINLESS STEEL
25	DIFFUSER END PLUG	TECHNOPOLYMER
27	MECHANICAL SEAL	CARBON IMPREGNATED RESIN / SILICON CARBIDE / EPDM
28	PUMP BODY	TECHNOPOLYMER
30	DISCHARGE BODY	TECHNOPOLYMER
36	FLOW SWITCH BODY	TECHNOPOLYMER
41	PRESS. STABLE. IMPELLER	TECHNOPOLYMER
46	DISCHARGE MANIFOLD	TECHNOPOLYMER
47	1" 1/4 PLUG	TECHNOPOLYMER
52	NON-RETURN VALVE	TECHNOPOLYMER / RUBBER / STEEL
57	TANK	TECHNOPOLYMER / RUBBER
58/1	PRESSURE SENSOR BODY	TECHNOPOLYMER

* In contact with liquid



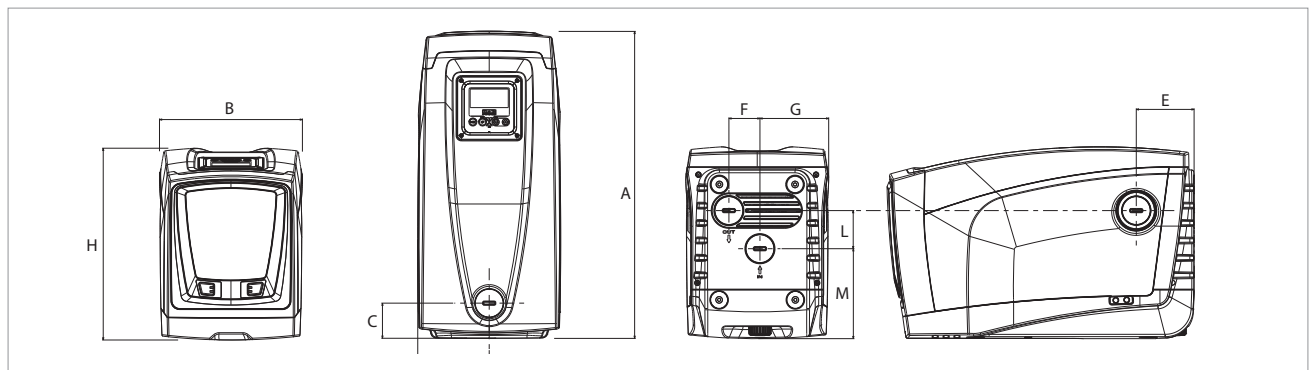
ESYBOX - ELECTRONIC PRESSURISATION SYSTEM

Liquid temperature range: from 0°C to +35°C for domestic use - from 0°C to +40°C for other uses. - Maximum ambient temperature: +50°C



Performance refers to 2 assembled Esybox in Esytwi.
Pressure losses included

The performance curves are based on the kinematic viscosity values = 1 mm²/s and density equivalent to 1000 kg/m³. Curve tolerance according to ISO 9906.



MODEL	ELECTRICAL DATA				
	N° IMPELLER	POWER SUPPLY 50/60 Hz	P1 MAX		In A
			kW	HP	
ESYBOX	5	1 x 220 - 240 V ~	1,55	2,11	10
ESYBOX - KIWA	5	1x220-240V ~	1,55	2,1	10

MODEL	A	B	C	D	E	F	G	I Ø	H	L	M	DNA	DNM	PACKING DIMENSIONS			GROSS Kg
	L/A	L/B	H														
ESYBOX	564	263	65	131,5	106	57	126,2	9	362	70	165,2	1"	1"	685	360	490	27
ESYBOX - KIWA	564	263	65	131,5	106	57	126,2	9	362	70	165,2	1"	1"	685	360	490	27

ESYBOX DIVER

7" ELECTRONIC MULTISTAGE SUBMERSIBLE PUMPS WITH INVERTER

D+CONNECT



TECHNICAL DATA

Flow rate maximum: 7,2 m³/h

Head up to: 55 m

Maximum immersion depth: 12 m standard version

Type of pumped liquid : Water Clean, free from solid or abrasive substances, non-viscous, non-aggressive, non-crystallized and chemically neutral

Free passage: 2 mm

Minimum suction depth: 110 mm

Minimum level of water: 35 mm

Liquid temperature range: from 0°C to +55°C

Minimum and maximum ambient temperature: <0°C / +50°C

Maximum immersion depth: 15 m

Adjustable constant pressure: pre-set 3 bar, adjustable from 1 to 5,5 bar

Outlet connection: Threated 1" 1/4

Pump maximum diameter : 185 mm

Impeller/s material:

Technopolymer with ring impeller in AISI 304 stainless steel

Maximum number of starts: 60/h

Protection class: IP 68

Non-stop service: yes

Motor insulation class: F

Power cable (m) and plug: 15 m with plug

Single phase power input: 230 V 50 Hz / 60 Hz

Possible type of installation: Fixed, horizontal or vertical. Submerged or semi-submerged. It can be installed on the surface, with positive suction, in a vertical position with the DOC68 accessory (supplied separately).

Special versions on request:

X version with suction kit for suction at a higher level.

Version for drinking water WRAS, ACS, NSF.

Surface version (the DOC68 accessory is required)

Certification:

WRAS, ACS, NSF (only model for drinking water) are pending approval.

7" multi-stage electronic pump with variable speed drive for clean water designed for use in wells, cisterns or tanks. The pump can be used submerged, partially submerged or on the surface (with the appropriate accessory). It is suitable for pressurization, reuse of rainwater, gardening activities and irrigation in residential building service. The pump can also be installed horizontally. Equipped with PLC (PowerLine Communication) and Wi-Fi technology. DConnect Box 2 supplied as standard. There is an X version with 1" union and kit X which includes 1 meter suction pipe and float to prevent the suction of impurities from the bottom. The entire pump is IP 68 certified. With the DOC68 accessory (supplied separately) the pump becomes an IP 68 surface pump to be used in positive suction. Certified version for drinking water available on request.

CONSTRUCTION FEATURES OF THE PUMP

Technopolymer pump body to resist corrosion and oxidation. Integrated non-return valve. Integrated debris filter. Overpressure valve, in case of completely submerged installation, with the freezing of the water in the external pipes, the valve prevents the damage to the pump. On the pump body there is an air-vent valve that improves priming during the first installation or in the event of emptying the tank/well, and a stainless steel handle to move the pump. Integrated 0,04 liter expansion vessel sized to prevent the pump from cycling in the event of small leaks and to compensate for water hammer. No maintenance or recharging is required. The coupling between the three impellers in technopolymer, the floating ring and the smoothing disc both in stainless steel allow a limited wear of the hydraulics and a more precise alignment of the components. Suction height can be adjusted using the appropriate accessory (included): 3,5, 4, 6 or 8 cm.

CONSTRUCTION FEATURES OF THE MOTOR

High efficiency Permanent Magnet submersible motor cooled by the pumped liquid. hydraulic side of the motor shaft in AISI 303 stainless steel. Double mechanical seal in oil chamber where the seal on the motor side is subjected only to submersible pressure (1 bar), while the other side is subjected to operating pressure (up to 5,5 bar) ensuring that the pump is watertight. Electronically protected motor. Quick coupling/release cable to facilitate installation inside tanks or cisterns. Tear-off power cable connection.

FEATURES OF THE ELECTRONIC

The electronic operation allows the pump to start and stop autonomously Variable speed drive for operation according to the system requirements. Working pressure adjustable from 1 to 5,5 bar and protects against dry running. NFC (Near Field Communication) pocket for the use of a float sensor (supplied separately) which can be connected without opening the pump maintaining a watertight seal. Thanks to the PLC communication technology, the pump transmits data through the power cable to the DConnect Box 2.

DCONNECT BOX 2

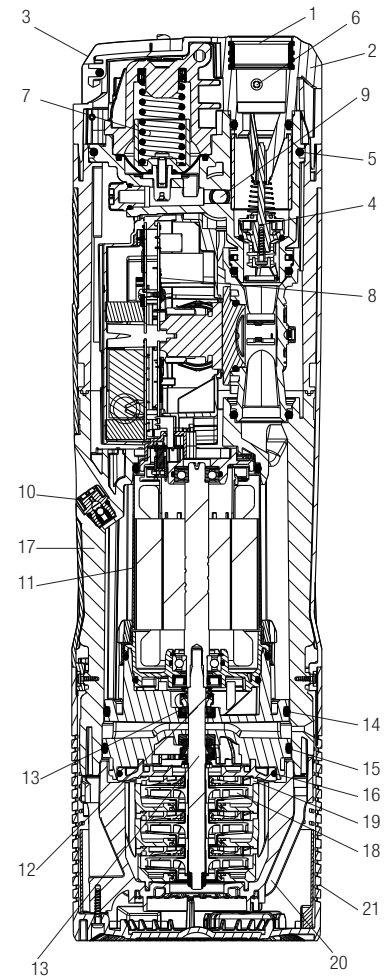
Thanks to the DConnect Box 2 and the DConnect app it is possible to check and manage the system pressure, alarms and the amount of residual water in the tank directly from your smartphone or tablet. DConnect Box 2 supplied as standard.

ESYBOX DIVER

7" ELECTRONIC MULTISTAGE SUBMERSIBLE PUMPS WITH INVERTER

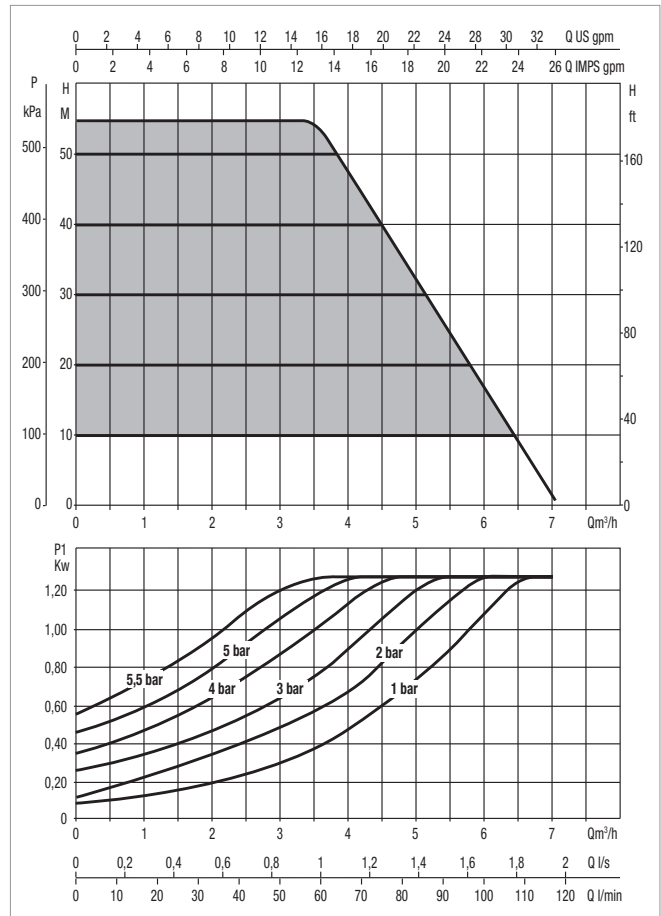
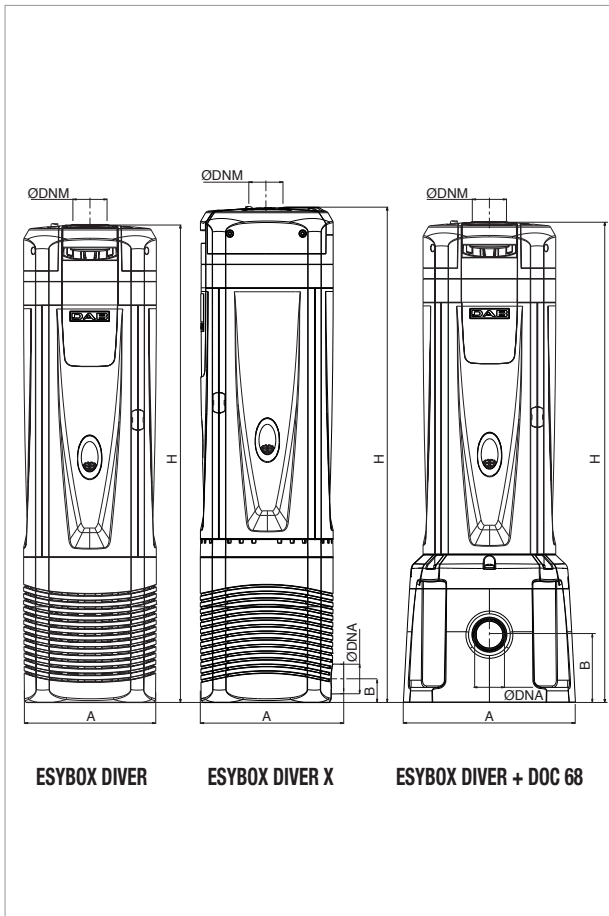
MATERIALS

N°	PARTS	MATERIALS
1	INSERT	BRASS
2	COVER	TECHNOPOLYMER
3	HANDLE	AISI 304
4	CHECK VALVE	TECHNOPOLYMER/NBR/FERRITE/AISI302
5	OR	NBR
6	OVERPRESSURE VALVE	TECHNOPOLYMER/BRASS
7	VESSEL WITH SPRING AND MEMBRANE	TECHNOPOLYMER/AISI304/EPDM70
8	PCB	--
9	PRESSURE SENSOR	TECHNOPOLYMER
10	VENTING VALVE	TECHNOPOLYMER/AISI420/NBR
11	MOTOR SLEEVE	AISI 304
12	MOTOR SHAFT	AISI 303
13	DOUBLE MECHANICAL SEALS	RESIN IMPREGNATED CARBON/AISI304/AISI302/NBR
14	OR	NBR
15	OR	NBR
16	OR	NBR
17	MOTOR BODY	TECHNOPOLYMER
18	IMPELLER	TECHNOPOLYMER/AISI304
19	DIFFUSER	TECHNOPOLYMER
20	PUMP BODY	TECHNOPOLYMER
21	FILTER	TECHNOPOLYMER



ESYBOX DIVER

7" ELECTRONIC MULTISTAGE SUBMERSIBLE PUMPS WITH INVERTER



The performance curves are based on kinematic viscosity values = 1 mm²/s and density equivalent to 1000 kg/m³. Curve tolerance according to ISO 9906.

MODEL	ELECTRICAL DATA				
	POWER INPUT 50 Hz	P1 kW	P2 NOMINAL		In A
			kW	HP	
ESYBOX DIVER	1 x 220-240 V ~	1,3	0,95	1,3	5,5
ESYBOX DIVER X	1 x 220-240 V ~	1,3	0,95	1,3	5,5
ESYBOX DIVER + DOC 68	1 x 220-240 V ~	1,3	0,95	1,3	5,5

MODEL	A	B	H	Ø DNM	DNA	PACKING DIMENSIONS			PACKING VOLUME m ³	Q.TY X PALLET	WEIGHT Kg
						L/A	L/B	H			
ESYBOX DIVER	185	-	651	1" 1/4	-	740	230	300	0,05106	15	17
ESYBOX DIVER X	195	32	676	1" 1/4	1"	780	230	300	0,0538	15	17
ESYBOX DIVER + DOC 68	235	92	658	1" 1/4	1" 1/4	382*	306*	178*	0,0208*	30*	3*

*Data referred to the DOC68 accessory only

2 ESYBOX CON ESYTWIN

ELECTRONIC BOOSTER UNIT



TECHNICAL DATA

Flow rate: From 0 m³/h to 14,4 m³/h

Head: 65 m

Type of pumped liquid: Clean, free of solid or abrasive substances, non-viscous, non-aggressive, non-crystallized and chemically neutral

Min. and max. supported liquid temperature: From 0°C to +40°C

Maximum ambient temperature +50°C

Maximum operating pressure bar / kPa: 8 bar / 800 kPa

Impeller/s material: Technopolymer

Motor Protection class: IP X4

Motor insulation class: F

Single phase power input: 230 V 50 Hz

Power cord (m) and plug: 1,5 meters with power plug

Certification: WRAS, ACS

Booster unit for use in residential building service and commercial building service designed for pressurization, lifting water from underground (self priming pump up to 8 meter), gardening and irrigation tasks. Possibility of remote control thanks to the DConnect service (DConnect Box supplied separately).

CONSTRUCTION FEATURES OF THE PUMP

Equipped with 1 "1/4 suction and delivery. Suction and delivery can be on both sides to make the connection to the pipes as easy as possible. The pump is self-priming multi-impeller with integrated 2-liter expansion tank. Protective cases in sound-absorbing ABS which together with other measures, it reduces noise to 43 dB. Technopolymer impellers. Self-priming up to 8 meters.

CONSTRUCTION FEATURES OF THE MOTOR

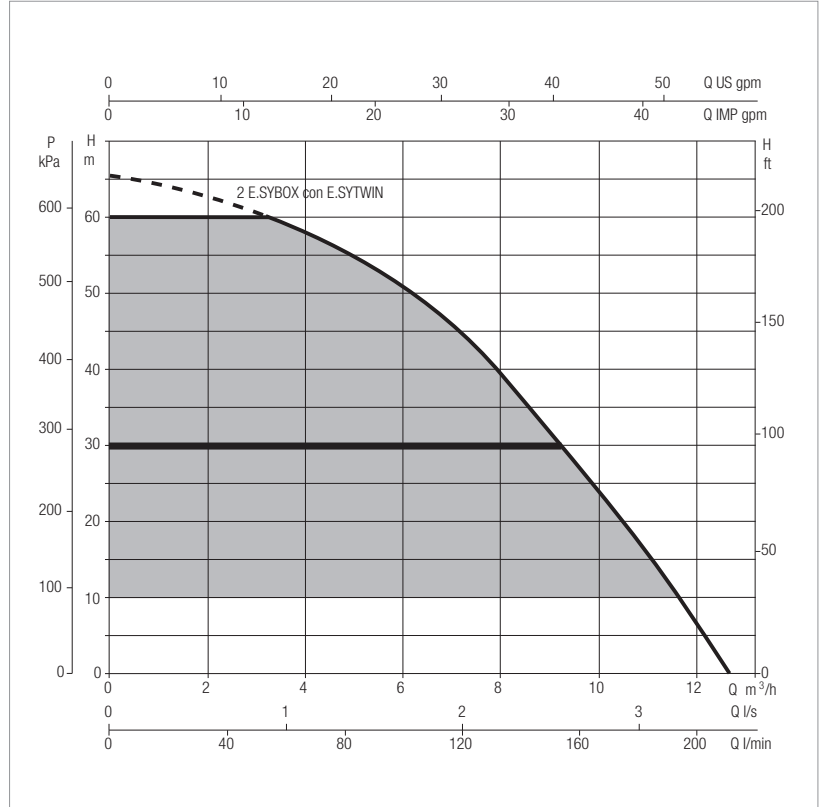
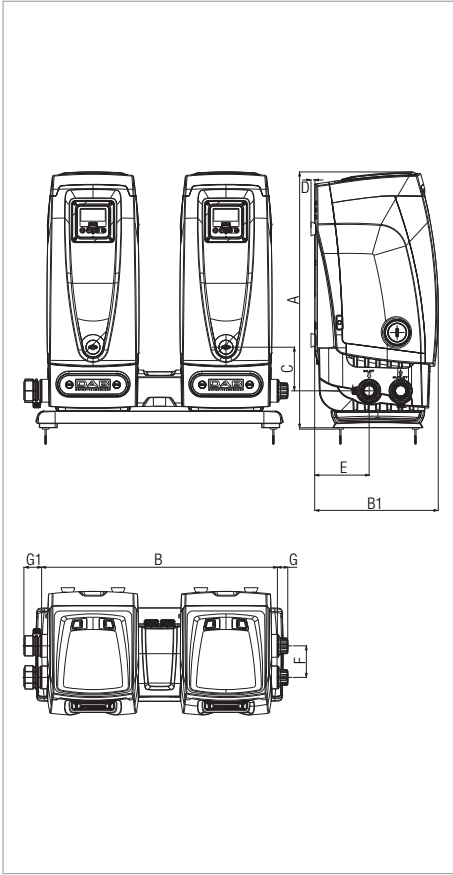
Motor cooled by the pumped liquid, motor shaft in AISI 303 stainless steel.

CONSTRUCTION FEATURES OF THE ELECTRONIC

Adjustable display adaptable to the installation position. The variable frequency drive function allows energy savings and water hammer protection. Wizard for the first start and possibility to view the alarm history. Unit easy to set up. It is also equipped with a wireless connection.

2 ESYBOX WITH ESYTWIN - ELECTRONIC BOOSTER UNIT

Liquid temperature range: from 0°C to +40°C - Maximum ambient temperature: +50°C



Performance refers to 2 assembled ESYBOX in ESYTWIN.
Pressure losses included

MODEL	ELECTRICAL DATA				
	N° IMPELLERS	POWER INPUT 50/60 Hz	P1 MAX		In A
			kW	HP	
2 ESYBOX + ESYTWIN	-	1 x 230 V ~	2 x 1,55	2 x 2,1	2 x 10,0

MODEL	A	B	B1	C	D	E	F	G	G1	DNA	DNM	PACKING DIMENSIONS			PACKING VOLUME m³	WEIGHT Kg
												L/A	L/B	H		
2 ESYBOX + ESYTWIN	729	672	351	124	11	155	90	30	50.5	1"	1"	720	1200	620	0,53	75

ESYBOX MAX

ELECTRONIC BOOSTER SET



TECHNICAL DATA

Flow rate: Up to 17,4 m³/h (For single unit)

Head: 96 m

Type of pumped liquid: Clean, free from solid or abrasive substances, non-viscous, non-aggressive, non-crystallized and chemically neutral

Liquid temperature: +50°C

Maximum ambient temperature: +55°C

Maximum inlet pressure: 5 bar

Operation pressure: 12 bar / 1200 kPa

Maximum differential pressure: 9,4 bar (85/120); 6,7 bar (60/120)

Constant pressure range: 1-12 bar (3 bar by default)

Motor protection class: IP X5

Motor insulation class: F

Impeller material: Technopolymer

Single phase power input: 208-240V 50/60Hz

Three phase power input: 380-480V 50/60Hz

Type of installation: Fixed in vertical position

Certification: WRAS, ACS, NSF61 (are pending approval)

Integrated pumping system for pressurization in commercial building service. Available in two power sizes, it consists of modular elements that allow different configurations to cover the needs of medium/large condominiums and high buildings (even over 14 floors).

Each unit consists of the single, double or triple connection base and the pumping units; a four-pumps system is available with the additional kit to connect two double bases.

The modular construction allows to assemble the pumping groups directly at the installation site (O.S.A. concept).

The silence and compactness of dimensions allow installation in all rooms, even inhabited.

CONSTRUCTION FEATURES OF THE PUMP

Electronic vertical multi-impeller pump, with display, pressure sensors on intake and delivery, non-return valve on delivery and an integrated expansion tank. Pump body and impellers in technopolymer with steel jacket.

CONSTRUCTION FEATURES OF THE MOTOR

Water-cooled permanent magnet motor, stainless steel motor jacket. Motor shaft in AISI 303 stainless steel.

CONSTRUCTION FEATURES OF THE ELECTRONIC

The variable frequency drive keeps the pressure constant by varying the number of motor revolutions according to the request.

The expansion module (esy I/O, available as an accessory) makes it possible to interface Esybox Max with the other elements of the system (BMS).

Integrated protections: protection from dry running, amperometric and abnormal voltages, overheating, freezing, anti-blocking and anti-cycling.

DCONNECT

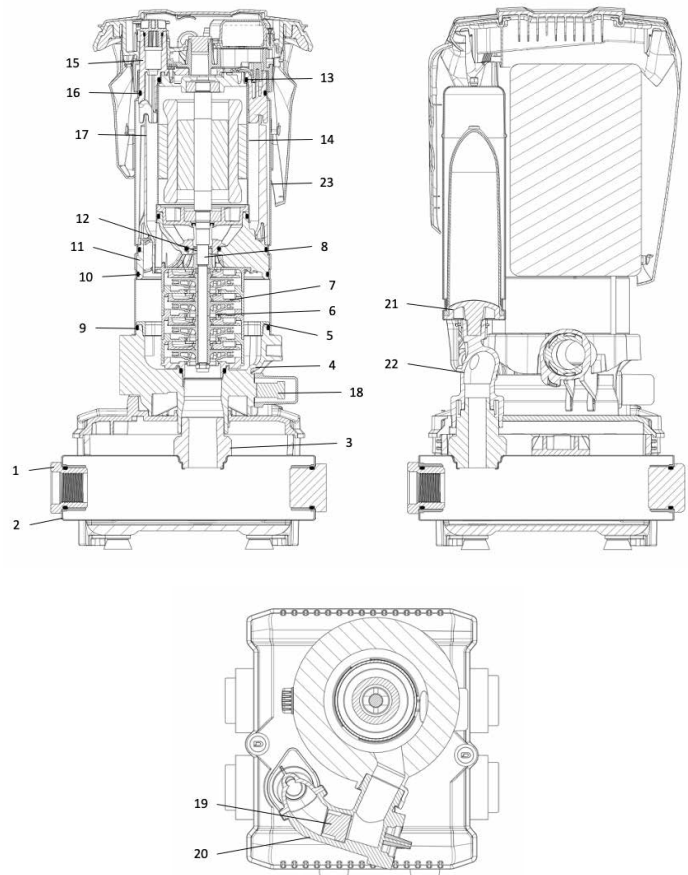
It is possible to configure and view the operating parameters on the large Esybox Max display or thanks to the DConnect app and the integrated Wi-Fi module, it is possible to do it remotely with an active DConnect service (an Internet connection is required).

From a smartphone or a tablet it is possible to control and manage system pressure, alarms and check the instantaneous and historical consumption.

With DSync technology, the user experience of Esybox Max is simplified. Using their smartphone or tablet, the installer interfaces with the pump that automatically detects the language, the time and the unit of measurement used in the Country of installation. In the case of a booster set, once the installation of the first pump is completed, the Esybox Max automatically synchronize the other pumps. The DSync also allows you to connect the pump to the outside world, through the Modbus protocol.

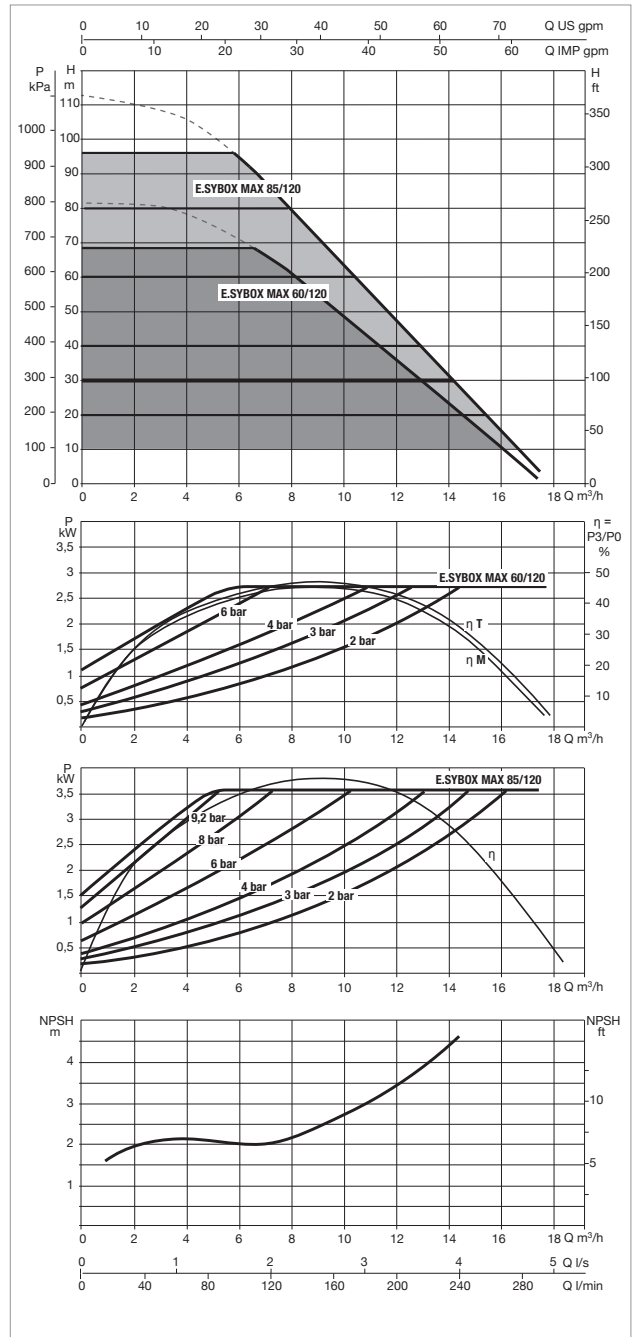
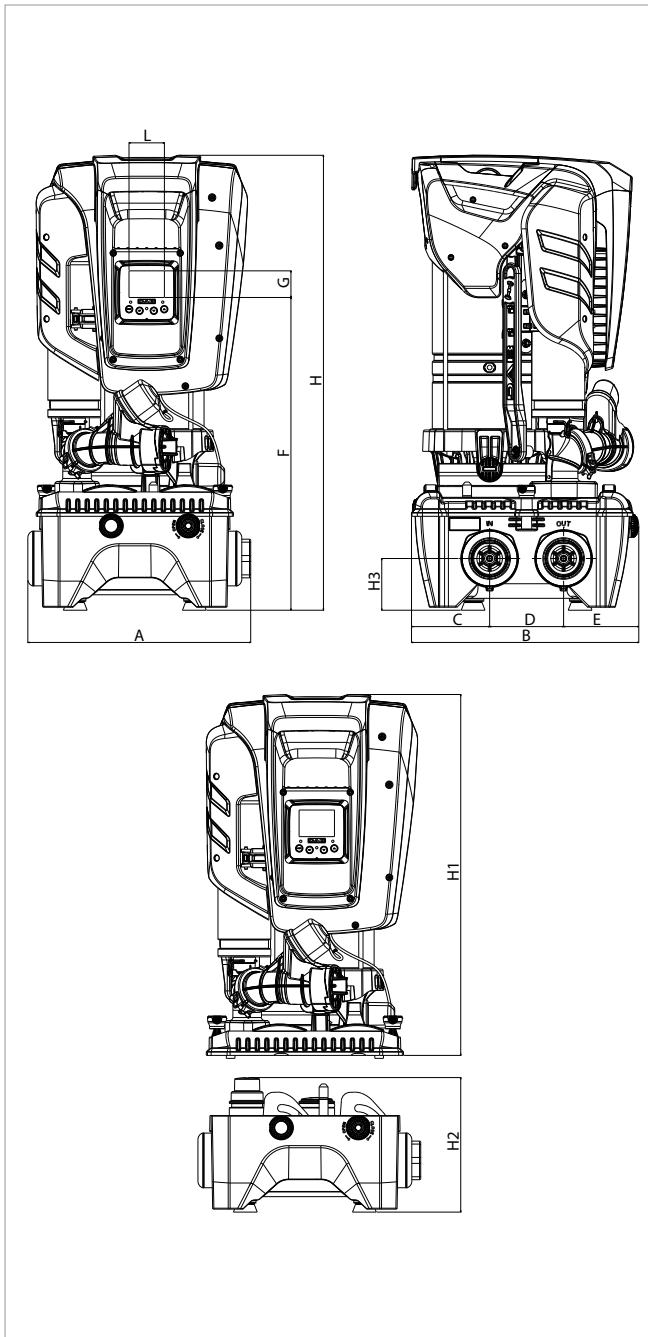
MATERIAL

N°	PARTS	MATERIALS
1	FITTING	TECHNOPOLYMER PA66 30%GF
2	MANIFOLD	AISI 304 STEEL
3	FLANGE	TECHNOPOLYMER PA66 30%GF
4	PUMP BODY	TECHNOPOLYMER PA66 30%GF
5	PUMP BODY RING	TECHNOPOLYMER PP 30%GF
6	IMPELLER	TECHNOPOLYMER PPO 30%GF / AISI 304 STEEL
7	DIFFUSER	TECHNOPOLYMER PPO 30%GF / AISI 304 STEEL
8	MOTOR AXIS	AISI 303 STEEL
9	O-RING	EPDM
10	O-RING	EPDM
11	MOTOR FLANGE	TECHNOPOLYMER PA66 30%GF
12	MECHANICAL SEAL	CARBON IMPREGNATED RESIN / SILICON CARBIDE / EPDM
13	O-RING	EPDM
14	MOTOR LINER	AISI 304 STEEL
15	MOTOR BODY	TECHOPOLYMER PA66 30%GF
16	O-RING	EPDM
17	CONVEYOR TUBE	TECHNOPOLYMER PP 30%GF
18	PRESSURE SENSOR	TECHOPOLYMER NYLON / EPDM
19	NON RETURN VALVE	TECHOPOLYMER POM / EPDM / AISI 302 STEEL
20	NON RETURN VALVE BODY	TECHNOPOLYMER PA66 30%GF
21	TANK	TECHOPOLYMER NORYL / RUBBER
22	DELIVERY BODY	TECHNOPOLYMER PA66 30%GF
23	OUTER LINER	AISI 304 STEEL



ESYBOX MAX - ELECTRONIC BOOSTER SET

Liquid temperature: +50°C - Maximum ambient temperature: +55°C



The performance curves are based on the kinematic viscosity values = 1 mm²/s and density equivalent to 1000 kg/m³. Curve tolerance according to ISO 9906.

MODEL	ELECTRICAL DATA							
	N° IMPELLERS	POWER SUPPLY 50/60 Hz	P1 MAX		In A	DELTA P MAX		SET POINT
			kW	HP		Hmax m.c.a.	bar	
ESYBOX MAX 60/120 M	3	1x208-240 V~	2,68	3,6	12,5 - 11,5	69	6,7	1-12
ESYBOX MAX 60/120 T	3	3x380-480 V~	2,65	3,5	4,4	69	6,7	1-12
ESYBOX MAX 85/120 T	4	3x380-480 V~	3,50	4,7	5,6	96	9,4	1-12

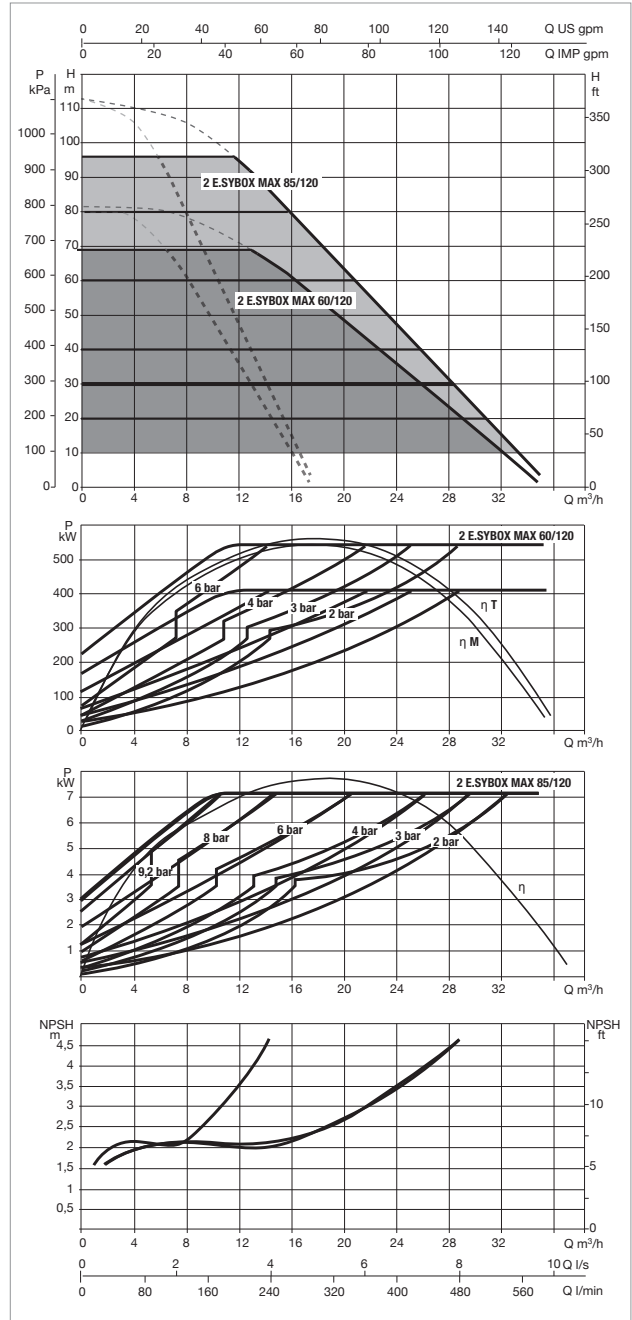
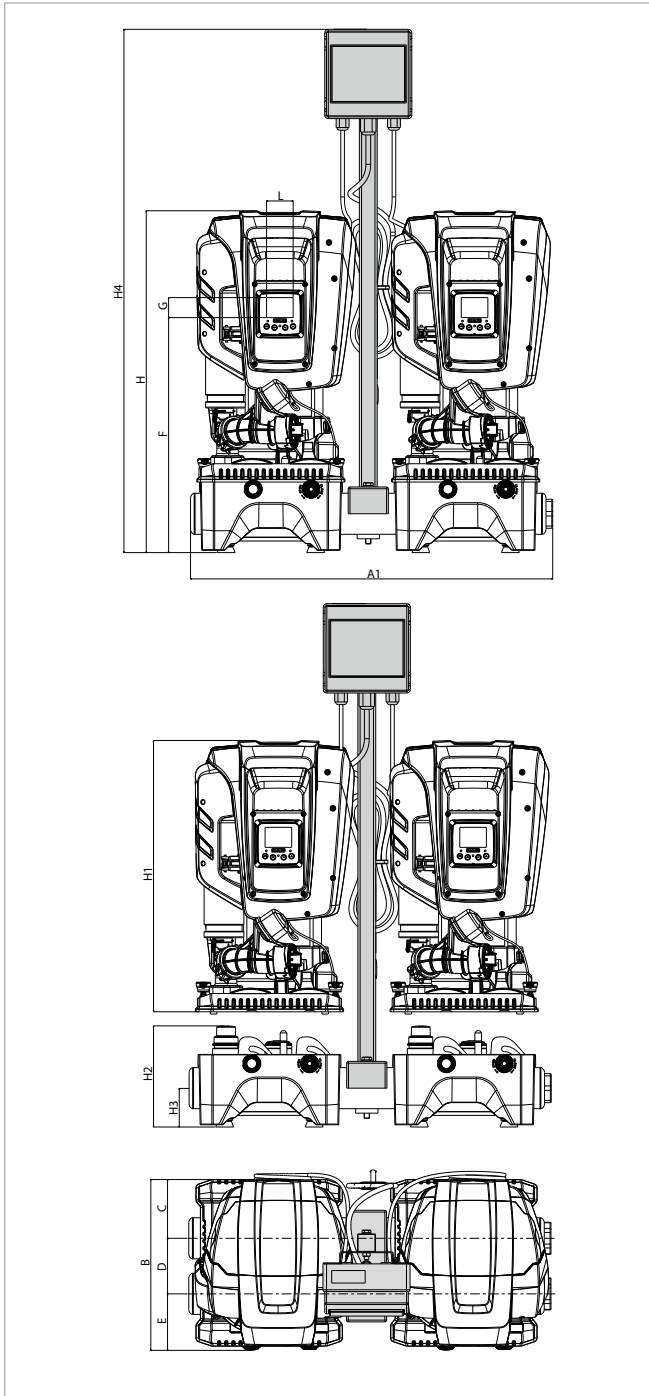
MODEL	A	B	C	D	E	F	G	H	H1	H2	H3	L	DNA	DNM	PACKING DIMENSIONS*			WEIGHT* PUMP UNIT Kg	PACKING DIMENSIONS DOCK			WEIGHT DOCK Kg
															PUMP UNIT				DOCK			
															L/A	L/B	H	L/A	L/B	H		
ESYBOX MAX 60/120	375	384	131.8	124.5	127.7	526	45	766	613	228	87	59,5	1"1/4 - 2"	1"1/4 - 2"	400	380	800	29	400	400	250	9
ESYBOX MAX 85/120	375	384	131.8	124.5	127.7	526	45	766	613	228	87	59,5	1"1/4 - 2"	1"1/4 - 2"	400	380	800	30	400	400	250	9

* Weights and packaging dimensions refer to a pump unit



2 ESYBOX MAX - ELECTRONIC BOOSTER SET

Liquid temperature: +50°C - Maximum ambient temperature: +55°C



The performance curves are based on the kinematic viscosity values = 1 mm²/s and density equivalent to 1000 kg/m³. Curve tolerance according to ISO 9906.

For the four pumps version, the flow rate is the double.

MODEL	ELECTRICAL DATA							
	N° IMPELLERS	POWER SUPPLY 50/60 Hz	P1 MAX		In A	DELTA P MAX		SET POINT
			kW	HP		Hmax m.c.a.	bar	
2 ESYBOX MAX 60/120 M	3	1x208-240 V ~	2,68	3,6	12,5 - 11,5	69	6,7	1-12
2 ESYBOX MAX 60/120 T	3	3x380-480 V ~	2,65	3,5	4,4	69	6,7	1-12
2 ESYBOX MAX 85/120 T	4	3x380-480 V ~	3,50	4,7	5,6	96	9,4	1-12

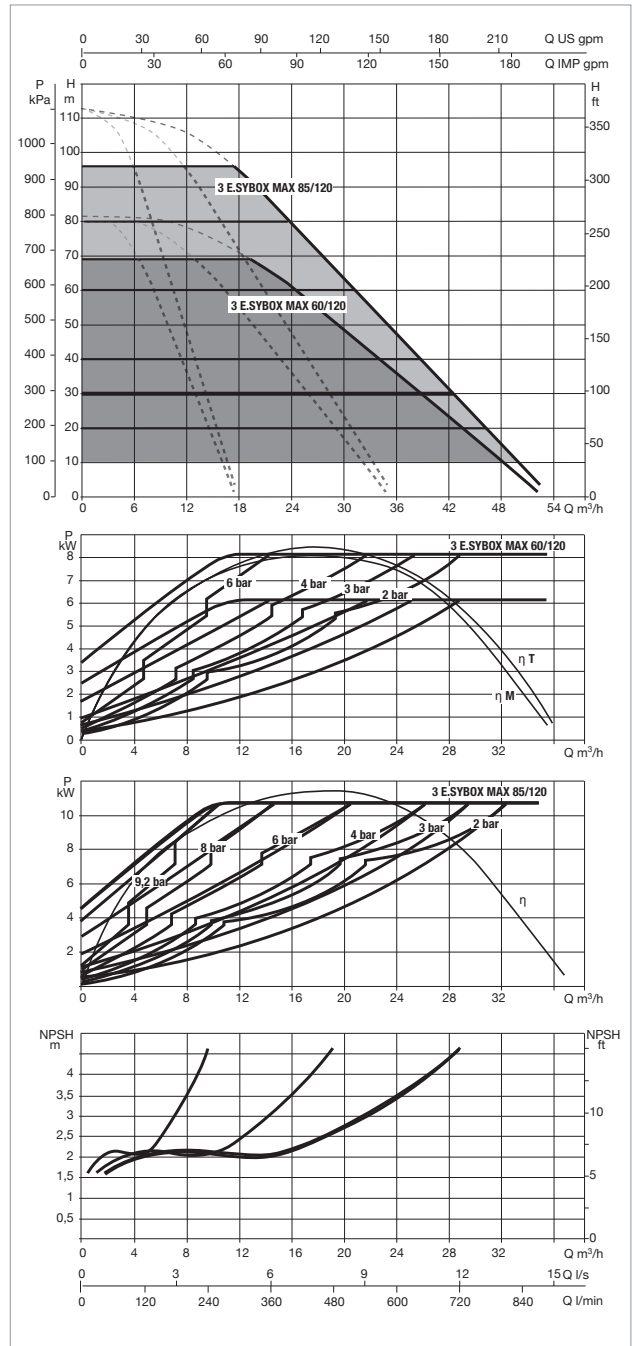
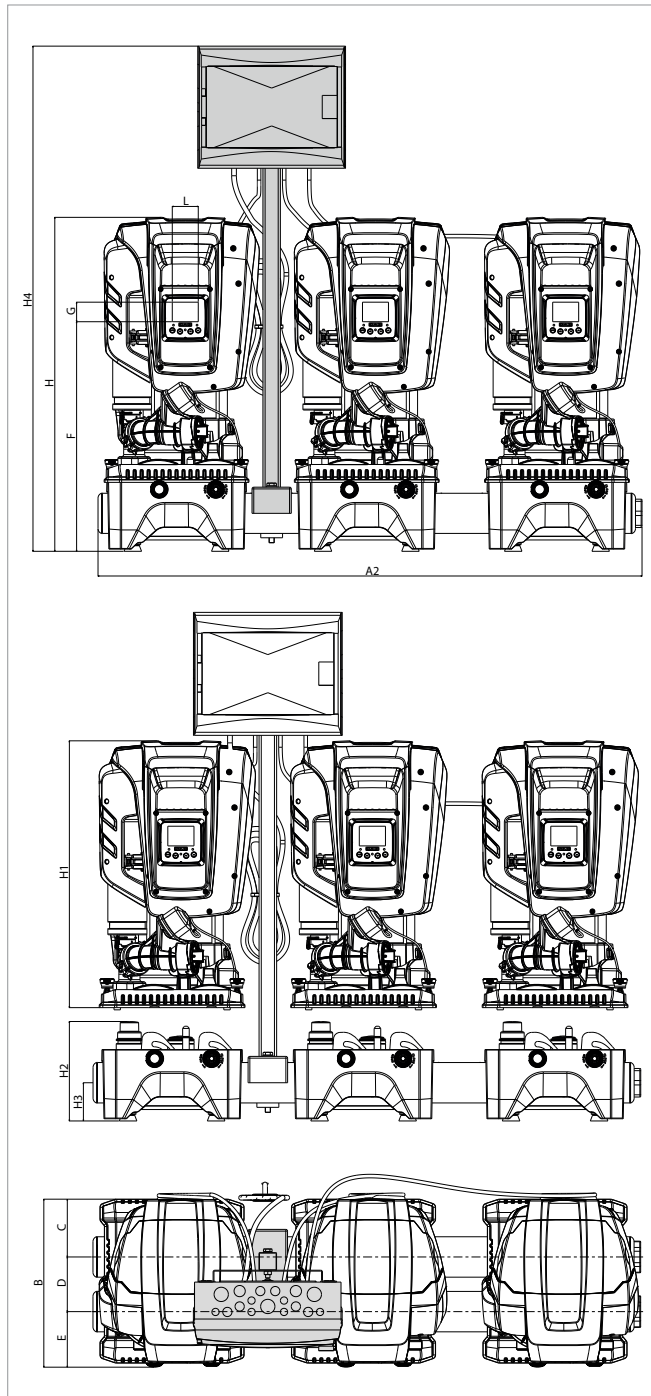
MODEL	A1	B	C	D	E	F	G	H	H1	H2	H3	H4**	L	DNA	DNM	PACKING DIMENSIONS*			WEIGHT* PUMP UNIT Kg	PACKING DIMENSIONS DOCK			WEIGHT DOCK Kg
																PUMP UNIT				DOCK			
																L/A	L/B	H	L/A	L/B	H		
2 ESYBOX MAX 60/120	811	384	131.8	124.5	127.7	526	45	766	613	228	87	1172	59.5	2"	2"	400	380	800	29	900	400	250	18
2 ESYBOX MAX 85/120	811	384	131.8	124.5	127.7	526	45	766	613	228	87	1172	59.5	2"	2"	400	380	800	30	900	400	250	18

* Weights and packaging dimensions refer to a pump unit **Control panel and Mounting bracket sold separately as optional accessories



3 ESYBOX MAX - ELECTRONIC BOOSTER SET

Liquid temperature: +50°C - Maximum ambient temperature: +55°C



The performance curves are based on the kinematic viscosity values = 1 mm²/s and density equivalent to 1000 kg/m³. Curve tolerance according to ISO 9906.

MODEL	ELECTRICAL DATA							
	N° IMPELLERS	POWER SUPPLY 50/60 Hz	P1 MAX		In A	DELTA P MAX		SET POINT
			kW	HP		Hmax m.c.a.	bar	
3 ESYBOX MAX 60/120 M	3	1x208-240 V ~	2,68	3,6	12,5 - 11,5	69	6,7	1-12
3 ESYBOX MAX 60/120 T	3	3x380-480 V ~	2,65	3,5	4,4	69	6,7	1-12
3 ESYBOX MAX 85/120 T	4	3x380-480 V ~	3,50	4,7	5,6	96	9,4	1-12





MODEL	A2	B	C	D	E	F	G	H	H1	H2	H3	H4**	L	DNA	DNM	PACKING DIMENSIONS*			WEIGHT* PUMP UNIT Kg	PACKING DIMENSIONS DOCK			WEIGHT DOCK Kg
																PUMP UNIT				DOCK			
																L/A	L/B	H	L/A	L/B	H		
3 ESYBOX MAX 60/120	1250	384	131,8	124,5	127,7	526	45	766	613	228	87	1158	59,5	2"	2"	400	380	800	29	1250	400	250	27
3 ESYBOX MAX 85/120	1250	384	131,8	124,5	127,7	526	45	766	613	228	87	1158	59,5	2"	2"	400	380	800	30	1250	400	250	27





* Weights and packaging dimensions refer to a pump unit **Control panel and Mounting bracket sold separately as optional accessories


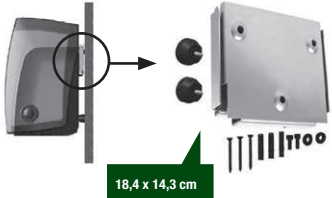




ACCESSORIES






ESYBOX - ESYBOX MINI³ - ESYBOX DIVER

D CONNECT	DESCRIPTION
 <p data-bbox="229 568 475 595">FOR ESYBOX MINI³ AND ESYBOX</p>	<p data-bbox="560 353 679 378">DCONNECT BOX</p> <p data-bbox="560 407 1433 479">The DConnect Box is suitable for remote control and management of large installations, and can connect up to eight DAB products. It can also be used on products that are already installed and only requires permanent Internet access at the system location. Monitoring is carried out via the DConnect app.</p> <div data-bbox="1050 506 1417 595">    </div>

D CONNECT	DESCRIPTION
 <p data-bbox="170 960 536 1016">FOR ESYBOX MINI³, ESYBOX AND ESYBOX DIVER (Included with Esybox Diver)</p>	<p data-bbox="560 766 695 790">DCONNECT BOX 2</p> <p data-bbox="560 819 1422 891">Thanks to DConnect Box 2 and the new App you can check the pump, set the starting and stopping parameters, view the details of alarms and monitor the status of the system directly on your smartphone. With the sensor level (available for Esybox Diver) it is also possible to check the residual availability of water in the tank.</p> <p data-bbox="560 916 911 965">With DConnect Box 2, you'll be able to access Dab's cloud service.</p> <div data-bbox="1050 920 1417 1010">    </div>

	DESCRIPTION
 <p data-bbox="229 1290 475 1317">FOR ESYBOX MINI³ AND ESYBOX</p>	<p data-bbox="579 1189 967 1214">KIT PIPE UNION 3PCS MF 1" WITH O-RING</p> <p data-bbox="579 1249 1310 1274">Kit consisting of 2 x 3-piece unions, to facilitate the connection of Esybox and Esybox mini³ to the system</p>
 <p data-bbox="296 1525 384 1547">18,4 x 14,3 cm</p> <p data-bbox="229 1570 475 1597">FOR ESYBOX MINI³ AND ESYBOX</p>	<p data-bbox="579 1413 890 1462">ESYWALL</p> <p data-bbox="579 1473 1310 1498">Kit complete with brackets, screws, dowels and two accessories for absorption of vibrations.</p>

KIT OUTDOOR	DESCRIPTION
 <p data-bbox="301 1843 405 1870">FOR ESYBOX</p>	<p data-bbox="579 1697 1230 1747">ESYCOVER + ESYGRID</p> <p data-bbox="579 1778 751 1803">KIT OUTDOOR ESYBOX</p> <p data-bbox="579 1803 1198 1843">Consisting of Esycover + Esygrid, which allows the installation of ESYBOX outside, protecting it from rain and the entry of foreign bodies.</p> <p data-bbox="579 1843 791 1870">Vertical installation only.</p>
 <p data-bbox="277 2051 429 2078">FOR ESYBOX MINI³</p>	<p data-bbox="579 1899 1230 1948">ESYCOVER + ESYGRID</p> <p data-bbox="579 1962 794 1986">KIT OUTDOOR ESYBOX MINI³</p> <p data-bbox="579 1986 1249 2027">Consisting of Esycover + Esygrid, which allows the installation of ESYBOX MINI³ outside, protecting it from rain and the entry of foreign bodies.</p> <p data-bbox="579 2027 791 2054">Vertical installation only.</p>

		DESCRIPTION
  <p>18 x 29 x 32 cm</p>	<h3>ESYDOCK</h3> <p>Thanks to the 4 plumbing configuration possibilities offers an 'installation even more rapid, easy and flexible. It is complete with all the interfaces required for connecting to the system. It incorporates anti vibration feet to ensure the same quietness as Esysbox.</p>	
  <p>23 x 75 x 35 cm</p>	<h3>ESYTWIN</h3> <p>EsysTwin is the evolution of Esysdock, of which maintains all the benefits, for the creation of two groups of pumps. EsysTwin offers exceptional performance thanks to possibility of combined operation with a reduced size of 50% compared to any other equivalent traditional system.</p>	
	<h3>ESYTWIN DOUBLE CONNECTION KIT</h3> <p>2" T suction and delivery manifold connection kit for the connection of 2 EsysTwin and the creation of boosters with up to 4 Esysbox. Suction and delivery manifold, each one consisting of: no. 2 x 1" 1/4 Nipples no. 2 x 1" 1/4 female -and 2" male reductions no. 3 x 2" 3-piece connectors no. 1 x 2" female T connector</p>	



**DELIVERY AND SUCTION
FITTING 1" 1/4**




68 x 29 x 35 cm







**INGOMBRO KIT
73 x 75 x 35 cm**

	DESCRIPTION
 <p>* 166 x 87 x 60 cm</p> <p>*Esybox not included</p>	<h3>ESYTANK</h3> <p>Tank specially studied to better integrate with Esybox and equipped with:</p> <ul style="list-style-type: none"> • Esydock (specially versioned) for quick connection. • suction hose with foot valve • filling valve from the water supply with float • Overflow • flow connection • preparation for ground mounting • inspection plug <p>Capacity 500 L with the possibility of expansion on 3 sides.</p>
	<h3>ESYTANK AUXILIARY CITERN</h3> <p>The ESYTANK AUXILIARY CITERN is supplied without any fittings or the ESYDOCK. The tank has a modular design to couple easily with other ESYTANK units, making the system expandable to the necessary capacity. It can be connected on three sides (at side and rear) using the ESYTANK TANK COUPLING KIT</p>
	<h3>ESYTANK COUPLING KIT</h3> <p>The ESYTANK COUPLING KIT is composed of a PVC sleeve with gasket (D.160 mm L=150), two PVC aligning pipes (D.50mm x L=60) and a connecting ring nut for a 2-pump option. It allows the connection of several ESYTANK units or between ESYTANK and ESYTANK AUXILIARY CITERN.</p>
	<h3>ESYTANK OPTIONAL DELIVERY KIT</h3> <p>Composed of a 1" PP pipe. It allows an auxiliary delivery for single tank systems or with the COUPLING KIT it allows several ESYTANK and ESYBOX systems to be linked together and to create pressure boosting units with several pumps and tanks.</p>





	DESCRIPTION
 <p>15 x 14,8 x 9,8 cm</p>	<h3>KIT ESYLINK *</h3> <p>Esylink with power supplier and electric box.</p>




* Provided to be wired

	DESCRIPTION
	<p>NFC WATER LEVEL MEASUREMENT</p> <p>Only connected to the DConnect Box 2, controls the level of water in the tank and notifies the user of the level via an App. (Available for Eskybox diver).</p>
	<p>NFC FLOAT</p> <p>Detects the level of water in a tank, preventing emptying of the latter and seizing of the pump avoiding the dry running, due to too low a level of water.</p>
	<p>KIT X (FOR X VERSION)</p> <p>Combined to X version can be used to collect water at such a level as to avoid the pumping of dust and mud found at the bottom of wells and tanks.</p>
	<p>DOC68</p> <p>The DOC68 permits installation of the Eskybox Diver even outdoors as an IP68 certified surface pump.</p>

ACCESSORIES

ESYBOX MAX

	DESCRIPTION	MODEL	ESYBOX MAX	2 ESYBOX MAX	3 ESYBOX MAX	4 ESYBOX MAX
	CONTROL PANEL Electrical connection panels for 2 or 3 pumps complete with magnetothermic switches for powering multi-pump units. It can be installed on the wall or directly to Esybox Max units using the dedicated pillar kit.	CONTROL PANEL E2G5,2 M 230V		● Single phase		● 2 x Single phase
		CONTROL PANEL E2G7 T 400V		● Tree- phase		● 2 x Single phase
		CONTROL PANEL E3G10.5 T 400V			● Tree- phase	
	PILLAR KIT Useful for mounting the control panel EG on board of the 2 or 3 Esydock max. The bracket consist in a column, a bolt and a lower clamping bracket (all in steel).					● 2 x
	ESy I/O The electronic expansion module allows Esybox Max to interface with the external input/output devices (eg: float switch, pressure switch, remote alarm) and with the BMS world (Building Management System).		●	●	●	●
	JOINT KIT kit consisting of 2 pieces of 3-piece unions and 2 pieces of 2" nipples to connect the delivery and suction of a pair of 2 esydock max to create 4-unit Esybox max groups.					●

	DESCRIPTION
 <p>23 x 38 x 38 cm</p>	<h3>ESYDOCK MAX</h3> <p>Esydock Max is the base for assembling the pumping system at the installation site quickly and conveniently. It connects to the system with four different hydraulic configuration modes and with its anti-vibration feet it maintains a high level of quiet operation.</p>
 <p>23 x 81 x 38 cm</p>	<h3>2 ESYDOCK MAX</h3> <p>This is the assembly base used to create sets of two pumps. The exceptional performance offered by the joint operation of two Esybox Max units is combined with a 50% reduction in space compared to traditional systems with the same performance.</p>
 <p>23 x 125 x 38 cm</p>	<h3>3 ESYDOCK MAX</h3> <p>Base for sets with three pumps. The modular concept is implemented in an absolutely flexible and high-performance system. Maximum results with minimum space requirements and extremely simple and easy installation.</p>



On Site Assembly means that the final product assembly process takes place directly at the installation site, rather than at the manufacturing plant. The product is, therefore, conceived right from the drawing board with all possible uses in mind.



AS FAST AS A CLICK!

Esybox Max is assembled to the base by means of a simple interlocking system, which makes installation much quicker and more intuitive when compared with traditional sets.



And in the case of multiple installation, after mounting the base and positioning the components, the pumps communicate independently via wireless.

DAB

PUMPS SELECTOR



Selezione prodotti on-line



DAB PUMPS LTD.

6 Gilbert Court
Newcomen Way
Severalls Business Park
Colchester
Essex
CO4 9WN - UK
salesuk@dwtgroup.com
Tel. +44 0333 777 5010



DAB PUMPS IBERICA S.L.

Calle Verano 18-20-22
28850 - Torrejón de Ardoz - Madrid
Spain
Info.spain@dwtgroup.com
Tel. +34 91 6569545
Fax: +34 91 6569676



DAB PUMPS SOUTH AFRICA (PTY) LTD

Twenty One industrial Estate,
16 Purlin Street, Unit B, Warehouse 4
Olifantsfontein -1666 - South Africa
info.sa@dwtgroup.com
Tel. +27 12 361 3997



DAB PUMPS BV

"tHofveld 6 C1
1702 Groot Bijgaarden - Belgium
info.belgium@dwtgroup.com
Tel. +32 2 4668353



DAB PUMPS HUNGARY KFT.

H-8800
Nagykanizsa, Buda Ernő u.5
Hungary
Tel. +36 93501700



DAB PUMPS (QINGDAO) CO. LTD.

No.40 Kaituo Road, Qingdao Economic & Technological
Development Zone
Qingdao City, Shandong Province - China
PC: 266500
sales.cn@dwtgroup.com
Tel. +86 400 186 8280
Fax +86 53286812210



DAB PUMPS B.V.

Albert Einsteinweg, 4
5151 DL Drunen - Nederland
info.netherlands@dwtgroup.com
Tel. +31 416 387280
Fax +31 416 387299



DAB PUMPS POLAND Sp. z o.o.

Ul. Janka Muzykanta 60
02-188 Warszawa - Poland
polska@dabpumps.com.pl



DAB PUMPS DE MÉXICO, S.A. DE C.V.

Av Amsterdam 101 Local 4
Col. Hipódromo Condesa,
Del. Cuauhtémoc CP 06170
Ciudad de México
Tel. +52 55 6719 0493



OOO DAB PUMPS

Novgorodskaya str. 1, block G
office 308, 127247, Moscow - Russia
info.russia@dwtgroup.com
Tel. +7 495 122 0035
Fax +7 495 122 0036



DAB PUMPS OCEANIA PTY LTD

426 South Gippsland Hwy,
Dandenong South VIC 3175 - Australia
info.oceania@dwtgroup.com
Tel. +61 1300 373 677



DAB PUMPS GMBH

Am Nordpark 3
D - 41069 Mönchengladbach - Germany
info.germany@dwtgroup.com
Tel. +49 2161 47388-0
Fax +49 2161 47388-36



DAB PUMPS INC.

3226 Benchmark Drive
Ladson, SC 29456 - USA
info.usa@dwtgroup.com
Tel. 1-843-797-5002
Fax 1-843-797-3366



PT DAB PUMPS INDONESIA

Satrio Tower lantai 26
unit C-D, Jl. Prof. Dr. Satrio Kav. C4,
Kel. Kuningan Timur, Kec. Setiabudi, Kota Adm.
Jakarta Selatan, Prov. DKI Jakarta. - Indonesia
Tel. +62 2129222850