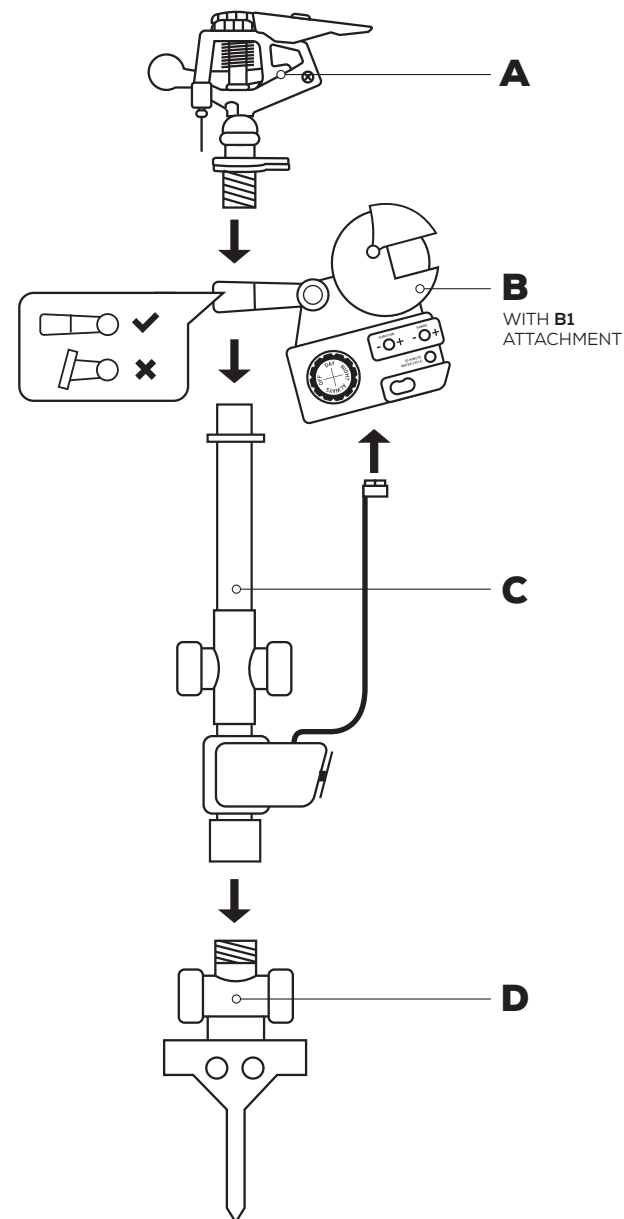
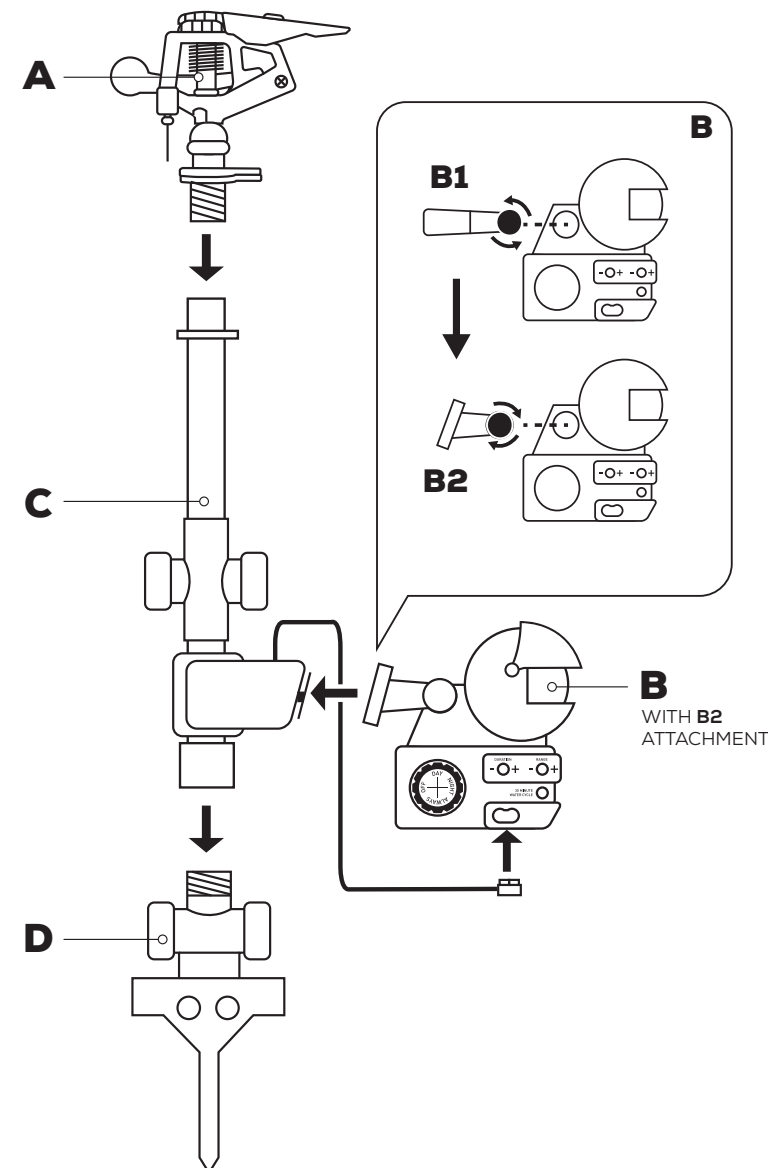


1. Ensure the Riser Mounting Arm **[B1]** is attached to the sensor.
2. Slip the mounting arm **[B1]** over the collar of the riser **[C]**.
3. Thread the impact sprinkler **[A]** into the riser **[C]**.
4. Thread the step-spike **[D]** onto the valve and tighten the swivel coupling.
5. Insert the valve cable into the sensor aligning the grooves.
6. Position the Heat Sensor at a 10° angle away from the ground.



1. Unscrew the Riser Mounting Arm **[B1]** and screw in the Valve Mounting Arm **[B2]** to the sensor.
2. Thread the impact sprinkler **[A]** into the riser **[C]**.
3. Thread the step-spike **[D]** onto the valve and tighten the swivel coupling.
4. Mount the sensor unit **[B]** onto the front of the valve by sliding it onto the square bracket until it clicks into place.
5. Insert the valve cable into the sensor aligning the grooves.
6. Position the Heat Sensor at a 10° angle away from the ground.



The sensor detects a combination of heat and nonlinear motion to activate the valve.

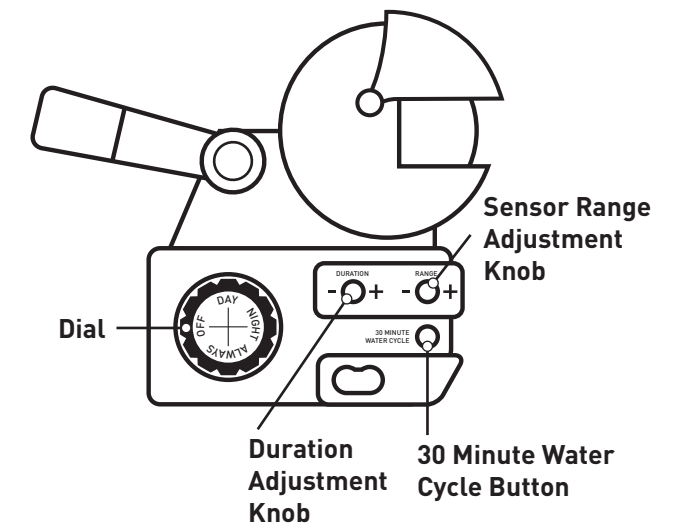
The sensor relies on the body temperature of the unwanted pest to differ from the surrounding ambient temperature.

Bigger animals have a larger heat signature and will be easier to detect. Smaller animals, like rodents, do not produce enough heat to trigger the heat sensor.

### INTELLIGENT SENSING MODE

This mode conserves water and batteries by detecting significant, repeat activity (false alerts) and then reducing the frequency of activation. To disable Intelligent Sensing Mode: turn dial to OFF position then press and hold 30 MIN Watering button for 20 seconds until unit clicks. To re-enable Intelligent Sensing Mode: repeat steps above.

### OPERATION FEATURES



#### OFF

Turns the sensor and valve off. Must be in this mode to install batteries or to turn Intelligent Sensing on or off. Resets the time delays between valve activation if Intelligent Sensing is on.

#### DAY

Activates sensor and valve only during daylight.

*Note: Sensor does not register actual time, but uses a photocell. Shady areas may cause the sensor to register day as night time.*

#### NIGHT

Activates sensor and valve only when dark.

#### ALWAYS

Sensor and valve are always active.

#### DURATION ADJUSTMENT KNOB

Adjust the duration of the water from approximately 3 seconds to 10 seconds.

- Turn knob towards the + to increase how long the water sprays.
- Turn knob towards the - to decrease how long the water sprays.

#### SENSOR ADJUSTMENT KNOB

The sensor range is adjustable up to 40 ft. For smaller animals increase the distance the sensor monitors. For larger ones decrease the distance.

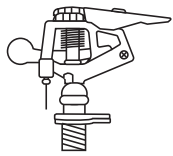
- Turn knob towards the + to increase the distance the sensor monitors.
- Turn knob towards the - to decrease the distance the sensor monitors.

#### 30 MIN. WATER CYCLE BUTTON

- Press button to activate a 30 minute watering cycle.
- Press button again to stop the 30 minute watering cycle.
- A slight delay allows the user to move a safe distance away from the unit before watering begins

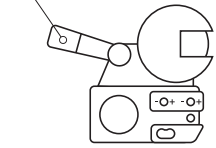
### IN THE BOX

#### A IMPACT SPRINKLER

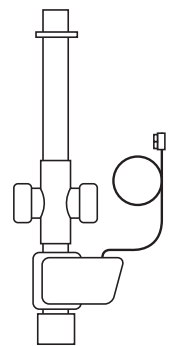


#### B HEAT SENSOR

#### B1 RISER MOUNTING ARM



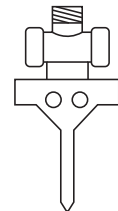
#### C RISER AND VALVE



#### B2 VALVE MOUNTING ARM



#### D STEP SPIKE



### WARNINGS

**WHEN EXPECTING FREEZING TEMPERATURES, REMOVE FROM THE HOSE AND STORE INDOORS.**

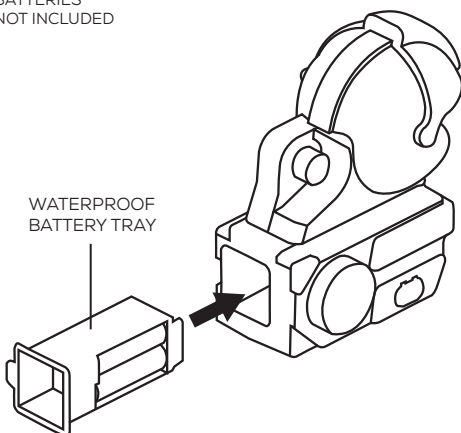
**FILTER WASHER TRAPS DIRT PARTICLES. CLEAN FILTER REGULARLY AND REPLACE IF WORN.**

### INSTALLING THE BATTERIES



BATTERIES NOT INCLUDED

WATERPROOF BATTERY TRAY



1. Verify the operation dial is in the "OFF" position.
2. Remove the tray on the back of the sensor by sliding it out. Battery tray is waterproof. You may need to use a flathead screwdriver to push on the tab and slide the compartment out.
3. Insert four AA (1.5V) alkaline batteries (not included) as directed on the tray and replace the tray.

*Note: Do not mix old and new batteries. Use only alkaline batteries.*

**YARD PLACEMENT**

1. Attach an outdoor hose to the step-spike inlet.
2. Position the step-spike in your chosen location, then step on the spike crossbar until the top of it is flush and level with the ground. Note: The ground should not be hard when inserting the spike. If needed, pre-water the area before installing the Yard Enforcer.
3. Make adjustments to the impact sprinkler head so when activated the spray is in the direction of the desired coverage zone.
4. Aim Sensor to where you expect the bulk of the animal you are wanting to detect will be.

EXAMPLE: For deer you would angle the sensor up toward the main part of the body.

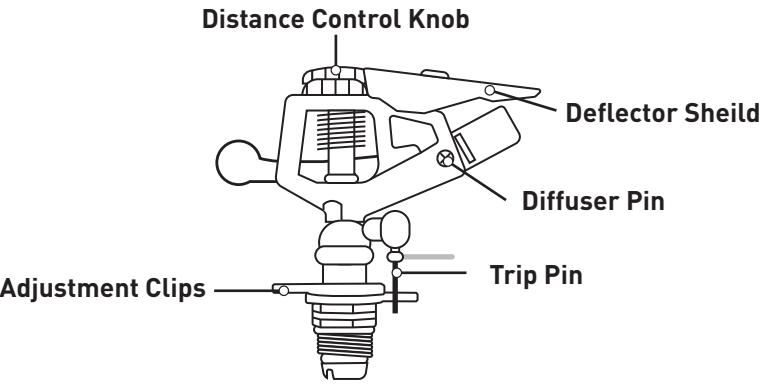
Note: For maximum range and detection, aim sensor 10 degrees away from the ground.

5. Turn on water.
6. Make further adjustments to the impact head. Set your duration, range and operation dial as desired to fine-tune the enforced area.

Determine where you want the stream of water to go and position an adjustment clip to the left and right of that area. Place the trip pin in-between the two adjustment clips in the down position. If you want to water in a 360° circle push the trip pin to the up position.

There are two ways to reduce the distance of the spray.

1. Screw diffuser pin into stream.
2. Press down deflector shield and turn distance control knob.

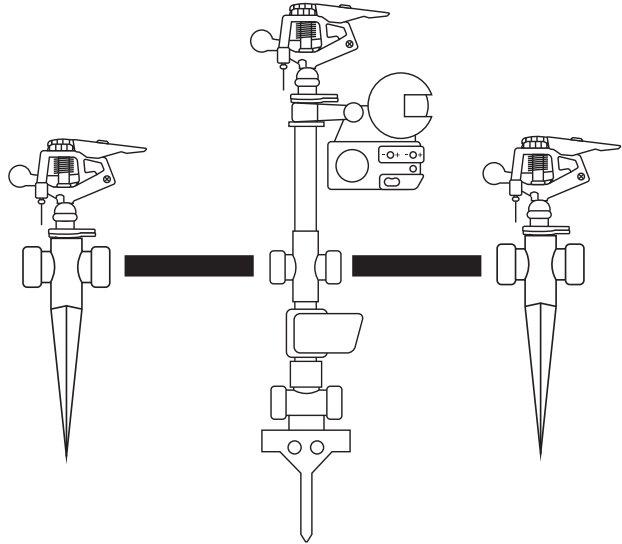


**YARD ENFORCER® TIPS AND TRICKS**

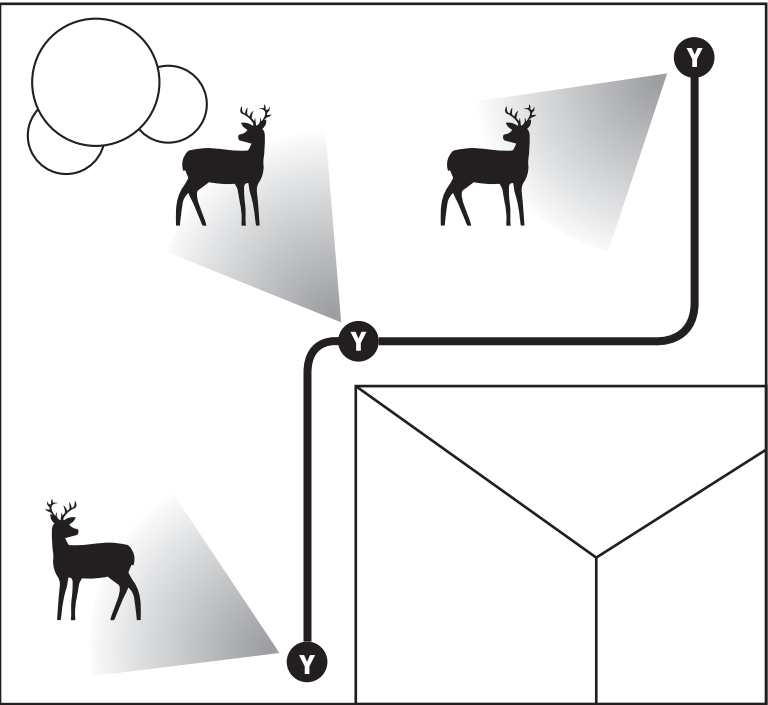
Position the sensor and sprinkler in the direction of where the pest enters the yard to chase them away before they reach the plants and landscaping you are protecting.

Certain animals are intelligent enough to recognize the pattern and range of the Yard Enforcer and learn how to avoid the spray. Weekly adjustments may be necessary to continue to discourage these animals. Another option is to create a sprinkler "minefield" to better deter certain types of animals.

Create a larger sprinkler area by attaching additional sprinklers to the riser outlets.



Enforce different areas in your yard at the same time by adding additional Yard Enforcers to the step-spike outlet.



**TROUBLESHOOTING**

**Sensor not detecting movement.**

- Check if:
- Range adjustment is set too low and adjust range if needed.
  - Sensor is located in shadows during DAY mode, move if needed, or switch to ALWAYS mode.
  - Angle of sensor on mounting arm is too steep and adjust sensor angle if needed.
  - Object in front of sensor is moving and producing heat.
  - Intelligent Sensing increases the delay between activations. Deactivate Intelligent Sensing mode if desired (see Intelligent Sensing section).
  - There is dust, dirt or hard water build-up on the white lens which will limit sensitivity. Wipe the lens gently with a damp cloth if needed.

**Sprinkler is activating without movement.**

- Check if:
- Sensor is detecting tree movement with the sun behind the tree.
  - Activate Intelligent Sensing mode if desired.
  - Sensor is being triggered falsely. Ensure sensor is not pointed at moving objects, such as water or windy areas.

**Sensor is detecting undesired movement.**

- Check your surroundings. Is sensor facing sidewalk, street, etc?
- Move sensor to new location away from busy surroundings.
- Adjust range knob.
- Adjust the duration knob.

**Sprinkler is taking longer to turn off.**

- Check if:
- Batteries are low and replace if needed.

**Water is leaking from joints.**

- Check if:
- Connections and swivel couplings are tight.
  - Washer located on the bottom of the riser is missing, pinched, or damaged and replace if needed.
  - O-ring is missing, pinched, or damaged and replace if needed.

**Sprinkler won't activate.**

- Check if:
- Operation dial is set to appropriate time of day.
  - Valve cable is connected to sensor unit.
  - Batteries are low and replace if needed.
  - Hose faucet is on.

**WARNINGS**


For outdoor use with cold water only.  
 Not for use on appliances.  
 Do not spray near electrical connections.  
 Improper setup or use of sprinklers increases the risk of water damage to property. Limit the supply of water to the sprinkler by opening the valve to a ¾ turn position. Use high quality hoses and maintain pressures within the working pressure range stated above. Install a pressure reducer if you have high pressure from the hose faucet. Only opening the tap part way does NOT lower water pressure.  
 Use the step on the stake when pushing into the ground.  
 Do not apply pressure or weight on the sensor housing or sprinkler.

Working Water Pressure  
 Minimum: 20 PSI  
 Maximum: 100 PSI

Working Temperature  
 Maximum: Do not operate at temperatures exceeding 120°F  
 Minimum: **Keep from freezing. To prevent damage from freezing water, take the Yard Enforcer® inside and remove the battery before the first winter frost.**

**NEED HELP?**

If you encounter a problem, please use the resources found online before returning your Orbit product to the store.

 **visit us**  
[community.orbitonline.com](http://community.orbitonline.com)  
 or



Scan the QR Code for access to a full user manual, videos, and more.



**call us**  
 1-800-488-6156



**text us**  
 801-797-2319