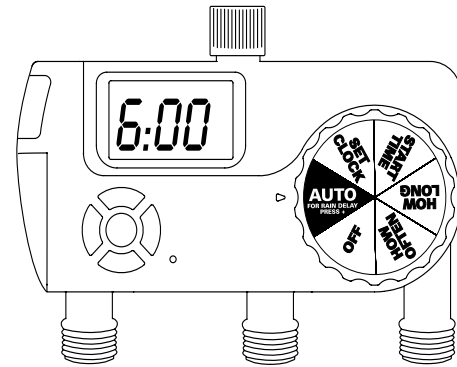




## 3-OUTLET DIGITAL TIMER

### PROGRAMMING FOR THE 2 DIGITAL OUTLETS OF THE TIMER



#### INSTALLING THE BATTERIES

- Remove the tray on the back of the timer by sliding it out.
- Insert two AA (1.5V) alkaline batteries (batteries included) and replace the tray.
- Replace batteries when low battery icon appears.

#### INSTALLATION

- After it is programmed attach it to your outdoor faucet.

#### Mounting to the wall:

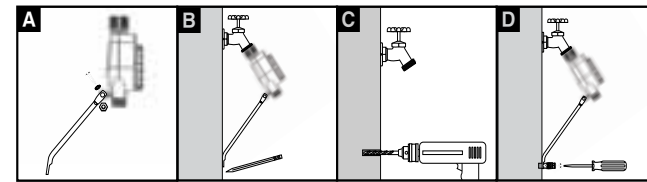
- Use nut and bolt to attach brace to timer bracket.
- Mark where brace touches the wall.

#### For masonry:

- Drill a 1/2 in. (1.27 cm) hole.
- Insert lag shield and attach brace using 1/4 in. lag screw.

#### For stucco:

- Drill 5/16 in. (.79 cm) hole.
- Insert plastic anchor and attach brace using #14 round head screw.



#### PROGRAMMING THE TIMER

- Rotate the dial to positions indicated or setup.
- Press the arrow button to switch between station 1 and 2 for all programming.

#### SET CLOCK

- Press the + button to advance clock time (hold button for quick advance).
- Press the - button to reverse clock time (hold button for quick reverse).

#### START TIME

- Press the + button to advance start time (hold button for quick advance).
- Press the - button to reverse start time (hold button for quick reverse).

#### HOW LONG

Set watering duration from 1 to 240 minutes using the + and - buttons.

#### HOW OFTEN

Set watering frequency as every 6 hrs, 12 hrs, or from 1 to 7 days using the + and - buttons. 1 is every day, 2 is every other day etc. up to 7 days.

#### AUTO

Timer waters according to programmed time, station, duration, and frequency.

#### RAIN DELAY

- When in AUTO, press + button for 24 hrs, 48 hrs, or 72 hrs.
- Screen will flash between clock and hours remaining before programmed cycle resumes.
- To remove rain delay, turn dial to OFF and then back to AUTO.

#### AUTO MANUAL/HAND WATERING.

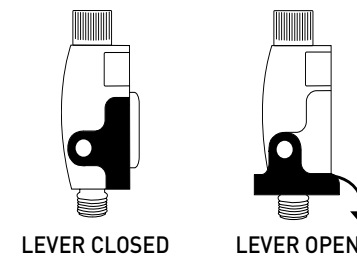
To water without interrupting the set cycle, press [MANUAL] button and then use + and - buttons to set from 1 to 240 minutes.

- To remove manual watering (turn off), turn dial to OFF.
- To resume programmed cycle turn the dial back to AUTO.

#### MANUAL OUTLET

The manual port of the timer gives access to the hose faucet without interrupting the programmed cycle of the digital port.

- Open the valve in the port by turning the lever counterclockwise to the open position.
- Close the valve by turning the lever to the closed position.



#### TROUBLESHOOTING

##### Water does not come on at desired time.

##### Check if:

- Clock is set to correct time including AM and PM.
- Start time is set to desired time including AM and PM.
- Rain Delay is on.

##### Timer does not water.

##### Check if:

- Timer is set to AUTO.
- Hose faucet is on.
- Batteries are low.
- Clock is set to correct time including AM and PM.
- Rain Delay is on.

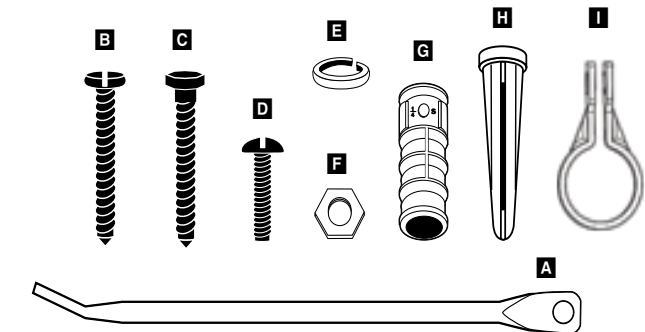
##### Water won't turn off.

##### Check if:

- Watering duration is set to desired time.
- Start times begin after previous watering cycle has run through all stations and set durations.

#### PRODUCT INCLUDES:

- |                                   |  |
|-----------------------------------|--|
| <b>A</b> (1) 7 1/4 in. Brace      | <b>G</b> (1) Lag Shield (for masonry)    |
| <b>B</b> (1) #14 Round Head Screw | <b>H</b> (1) Plastic Anchor (for stucco) |
| <b>C</b> (1) 1/4 in. Lag Screw    | <b>I</b> (1) Timer Bracket               |
| <b>D</b> (1) Bolt                 |  |
| <b>E</b> (1) Lock Washer          |  |
| <b>F</b> (1) Nut                  |  |



WHEN EXPECTING FREEZING TEMPERATURES, TIMERS SHOULD BE REMOVED FROM THE HOSE BIB TO AVOID POTENTIAL FREEZE DAMAGE.

#### Working Water Pressure:

Minimum: 25 psi Maximum: 100 psi

#### Working Temperature:

Maximum: Do not exceed 120°F  
Minimum: Keep from freezing

#### Warnings:

For outdoor use with cold water only.



Orbit® Irrigation Products, Inc.  
North Salt Lake, UT 84054  
1-800-488-6156  
www.orbitonline.com

© 2011 Orbit Irrigation Products, Inc.  
All rights reserved. All trade names are registered trademarks of respective manufacturers listed.