

PRINSU ROOF RACK INSTALLATION GUIDE

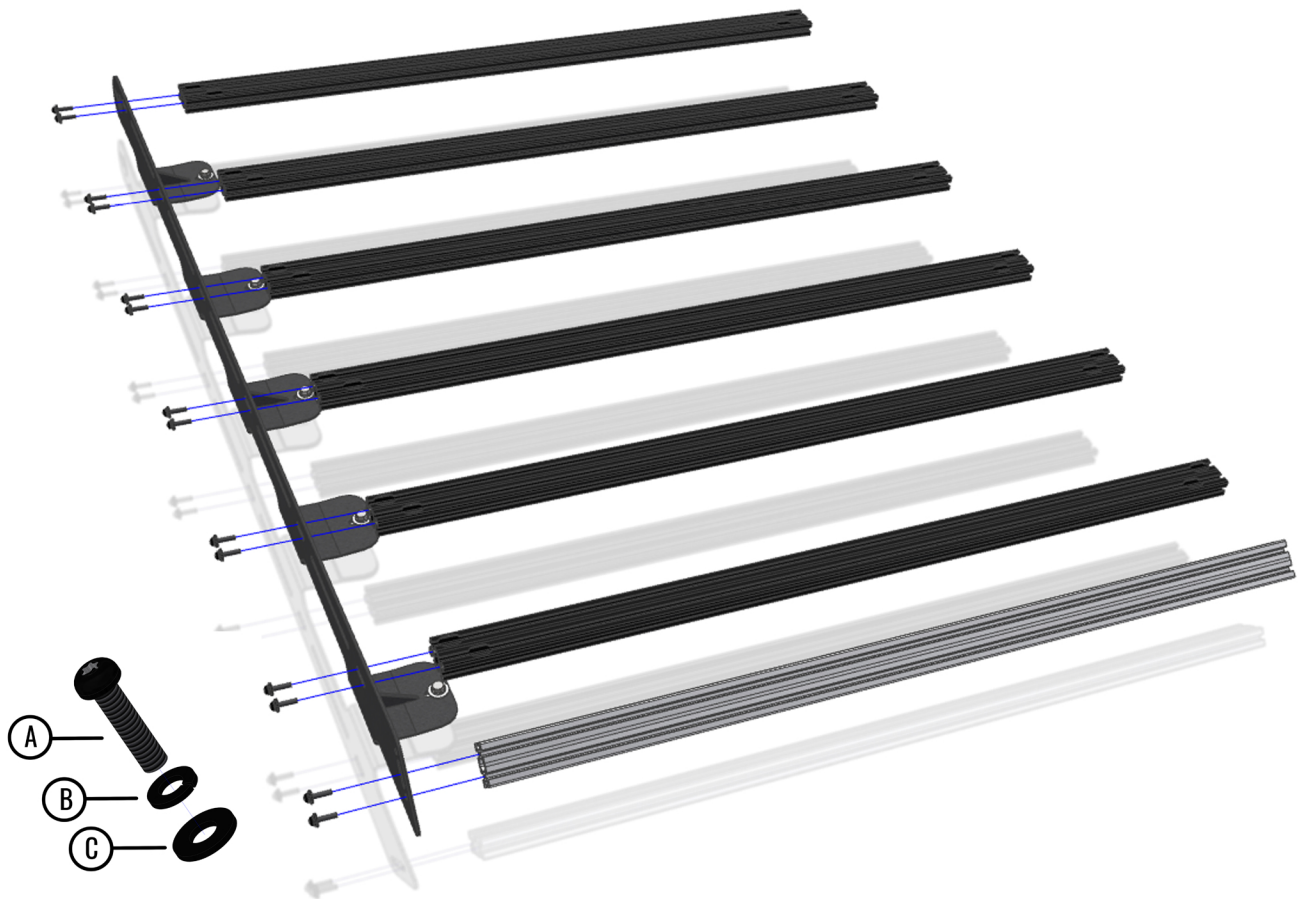


GEN 3 TOYOTA 4RUNNER 3/4

*** WARNING: Neither the seller nor the manufacturer will be liable for any loss, damage, or injury directly or indirectly arising from the use of or inability to determine the use of these products. Before using, the user shall determine the suitability of the product(s) for its intended use(s), and the user shall assume all responsibility and risk in connection therewith.***

PRINSU ROOF RACK INSTALLATION GUIDE

CROSSBAR HARDWARE DIAGRAM

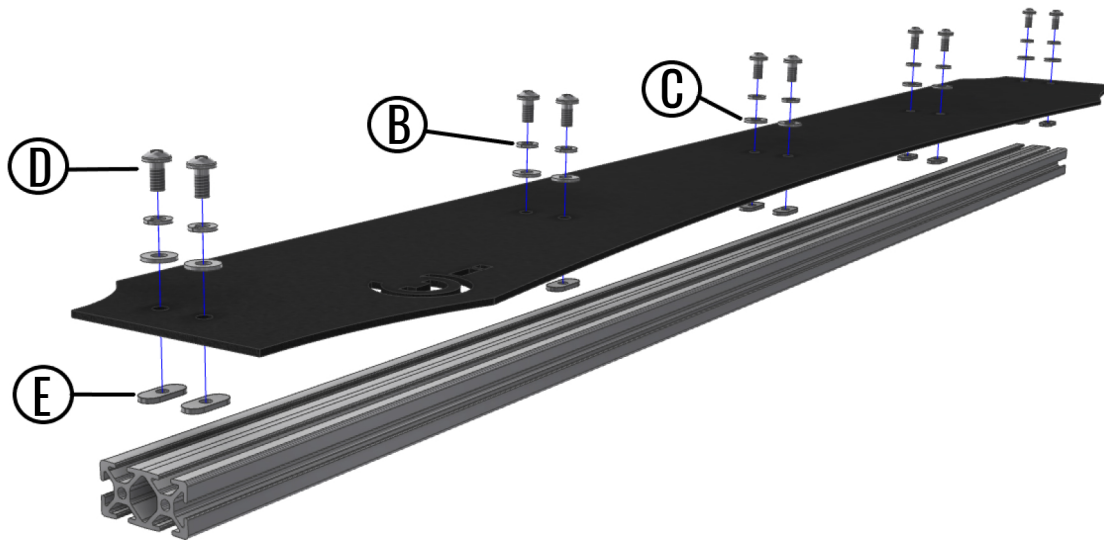


PART	Description	Quantity
A	1/4" - 20 x 1" Machine Screw	28
B	1/4"- Lock Washer	28
C	1/4" - SAE Flat Washer	28

*** WARNING: Neither the seller nor the manufacturer will be liable for any loss, damage, or injury directly or indirectly arising from the use of or inability to determine the use of these products. Before using, the user shall determine the suitability of the product(s) for its intended use(s), and the user shall assume all responsibility and risk in connection therewith.***

PRINSU ROOF RACK INSTALLATION GUIDE

WIND DEFLECTOR HARDWARE DIAGRAM

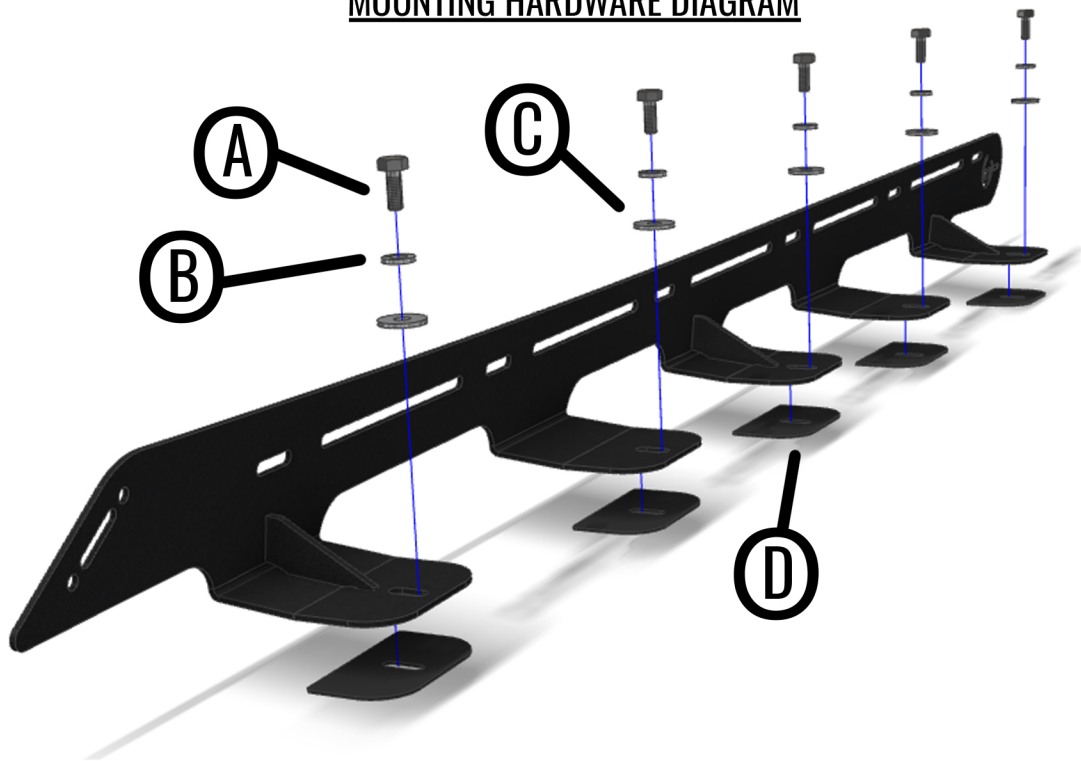


PART	Description	Quantity
B	1/4" - Lock Washer	10
C	1/4" - SAE Flat Washer	10
D	1/4" - 20 x 1/2" Pan Head Screw	10
E	1/4" - 20, 10 Series T Nut	10

*** WARNING: Neither the seller nor the manufacturer will be liable for any loss, damage, or injury directly or indirectly arising from the use of or inability to determine the use of these products. Before using, the user shall determine the suitability of the product(s) for its intended use(s), and the user shall assume all responsibility and risk in connection therewith.***

PRINSU ROOF RACK INSTALLATION GUIDE

MOUNTING HARDWARE DIAGRAM

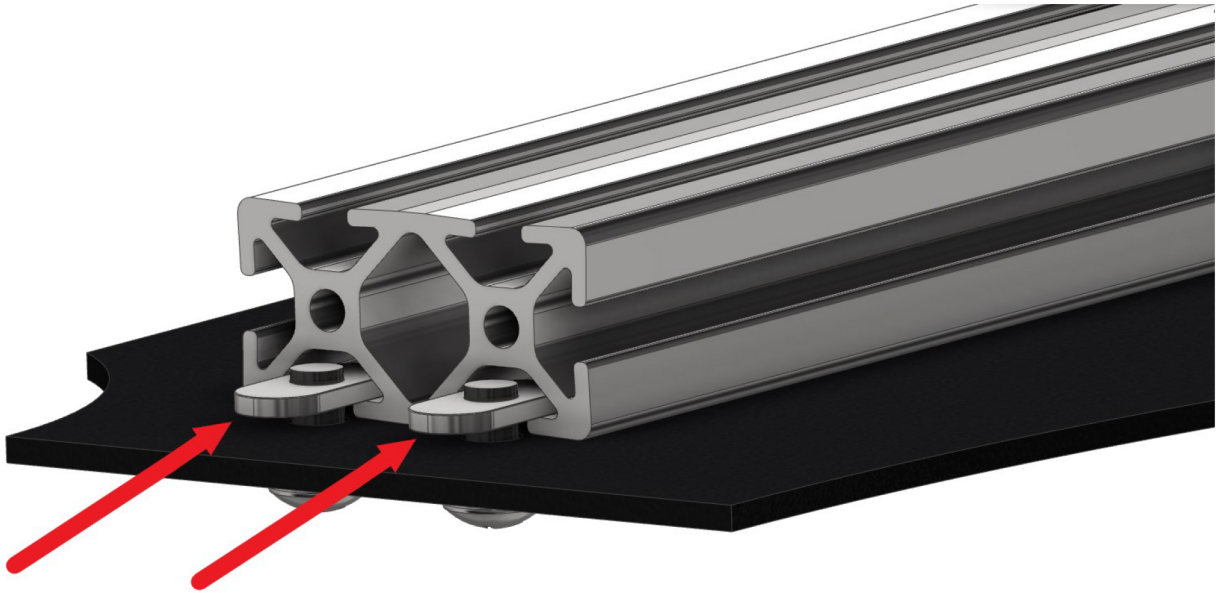


PART	DESCRIPTION	QUANTITY
A	M6 X 20MM HEX CAP SCREW	10
B	1/4" - LOCK WASHER - ZINC	10
C	1/4" - FLAT WASHER - ZINC	10
D	ADHESIVE BACKED RUBBER PADS <i>(APPLY ADHESIVE SIDE TO ROOF RACK)</i>	10

*** WARNING: Neither the seller nor the manufacturer will be liable for any loss, damage, or injury directly or indirectly arising from the use of or inability to determine the use of these products. Before using, the user shall determine the suitability of the product(s) for its intended use(s), and the user shall assume all responsibility and risk in connection therewith.***

PRINSU ROOF RACK INSTALLATION GUIDE

WIND DEFLECTOR ATTACHMENT



1. Install the wind deflector hardware as shown in the diagram on page 3. The screws should just barely thread into the T-Nuts .
2. Lay the deflector on a flat surface so that the T-Nuts are facing up.
3. From one end start sliding the extrusion bar so that the tnuts feed into the channel.
4. Once everything is lined up properly it will slide right on
5. Once all T-Nuts have been fed into the channel and the extrusion bar and deflector are flush on both ends, turn the assembly over and tighten the screws until the lock washers are compressed.
6. The deflector can now be bolted to the rack.

*** WARNING: Neither the seller nor the manufacturer will be liable for any loss, damage, or injury directly or indirectly arising from the use of or inability to determine the use of these products. Before using, the user shall determine the suitability of the product(s) for its intended use(s), and the user shall assume all responsibility and risk in connection therewith.***

PRINSU ROOF RACK INSTALLATION GUIDE

If you do not feel comfortable with the processes outlined in this manual please seek professional installation assistance.

Please read all instructions prior to beginning installation. Various steps may relate directly to previous or future parts of the installation process. Prinsu Design Studio is not liable for damages caused to your vehicle during the installation process.

Installation

Step 1.

Remove the stock roof rails using a T-25 bit, there are five bolts per side

Step 2.

Using an 11 mm wrench and the provided M6 x 20 mm bolts attach your new roof rack to the stock mounting locations

Your new roof rack is now complete and ready to use!

IMPORTANT

As a precaution we recommend double checking all fasteners for tightness before driving and checking the connections again after your first drive, then periodically thereafter to insure the secure function of the roof rack.

*** WARNING: Neither the seller nor the manufacturer will be liable for any loss, damage, or injury directly or indirectly arising from the use of or inability to determine the use of these products. Before using, the user shall determine the suitability of the product(s) for its intended use(s), and the user shall assume all responsibility and risk in connection therewith.***

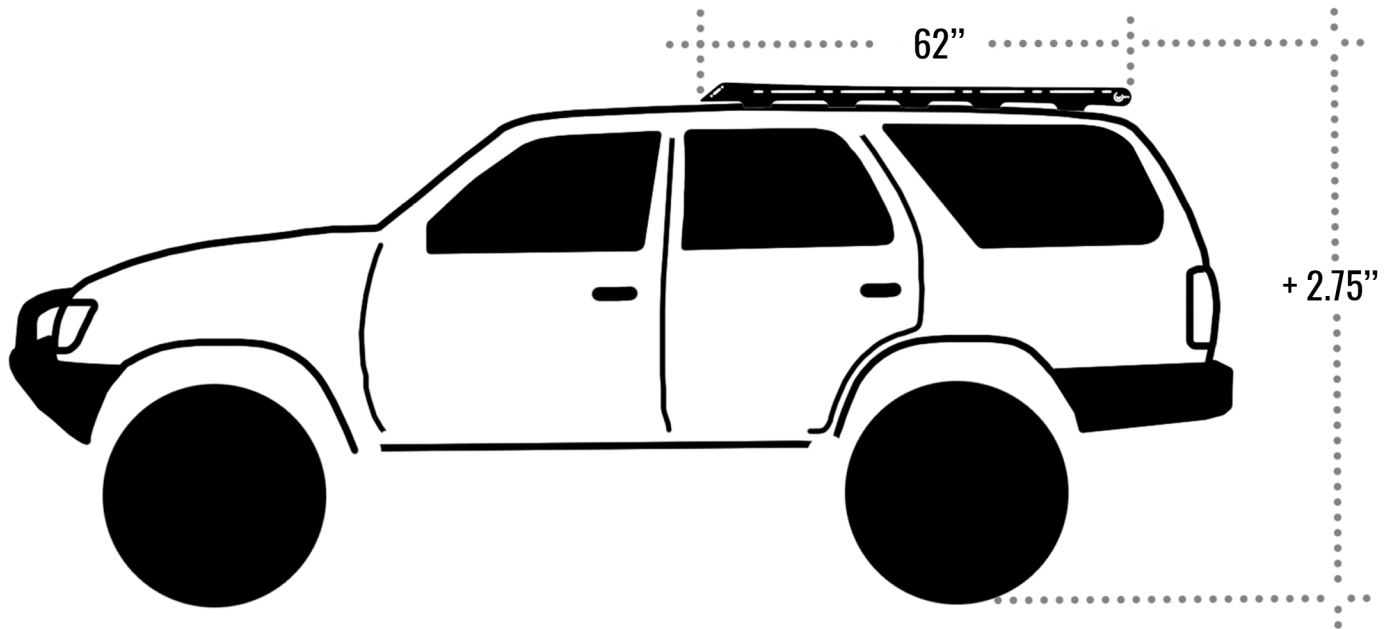
PRINSU ROOF RACK INSTALLATION GUIDE

WARRANTY

PRINSU DESIGN STUDIO will warranty all PRINSU DESIGN STUDIO manufactured parts for a LIFETIME of use. This limited Lifetime Warranty is effective for as long as the original retail purchaser owns the product. This warranty terminates when the original retail purchaser sells or otherwise transfers the product to any other person. Each manufactured product must be installed following PRINSU DESIGN STUDIO'S recommended fitment and installation procedures. Any customization or modification to the original product design, functionality, or use, either by said customer or by PRINSU DESIGN STUDIO voids all warranty eligibility. It is the sole discretion of CBI Offroad to determine warranty eligibility. Subject to the limitations and exclusions described in this warranty, PRINSU DESIGN STUDIO will remedy defects in materials or workmanship by repairing or replacing, at its option, a defective product without charge for parts. In addition, PRINSU DESIGN STUDIO may elect, at its option, not to repair or replace a defective product but rather issue to a purchaser a refund equal to the purchase price paid for the product or a credit to be used toward the purchase of a new PRINSU DESIGN STUDIO product. No warranty is given for defects caused by normal wear and tear, cosmetic rust, scratches, accidents, unlawful vehicle operation, products used for racing or competition, or modification of, or any types of repair of, a PRINSU DESIGN STUDIO manufactured product. The PRINSU DESIGN STUDIO Warranty does not include the powder coated finish. No warranty is given for defects resulting from conditions beyond PRINSU DESIGN STUDIO'S control including, but not limited to, misuse, neglect, overloading, improperly maintained or failure to assemble, mount or use the product in accordance with PRINSU DESIGN STUDIO'S written instructions or guidelines included with the product or implied use made available to the purchaser.

DISCLAIMER OF LIABILITY REPAIR OR REPLACEMENT OF A DEFECTIVE PRODUCT OR THE ISSUANCE OF A REFUND OR CREDIT (AS DETERMINED BY PRINSU DESIGN STUDIO) IS A PURCHASER'S EXCLUSIVE REMEDY UNDER THIS WARRANTY. DAMAGE TO A PURCHASER'S VEHICLE, CARGO AND/OR TO ANY OTHER PERSON OR PROPERTY IS EXCLUDED. THIS WARRANTY IS EXPRESSLY MADE IN LIEU OF ANY AND ALL OTHER WARRANTIES, EXPRESS OR IMPLIED, INCLUDING THE WARRANTIES OF MERCHANTABILITY AND FITNESS FOR A PARTICULAR PURPOSE. PRINSU DESIGN STUDIO'S SOLE LIABILITY TO ANY PURCHASER IS LIMITED TO THE REMEDY SET FORTH ABOVE. IN NO EVENT WILL PRINSU DESIGN STUDIO BE LIABLE FOR ANY LOST PROFITS, LOST SALES, OR FOR ANY CONSEQUENTIAL, DIRECT, INDIRECT, INCIDENTAL, SPECIAL, EXEMPLARY, OR PUNITIVE DAMAGES OR FOR ANY OTHER DAMAGES OF ANY KIND OR NATURE

GEN 3 4RUNNER ROOF RACK SPECIFICATIONS



FEATURE	MEASUREMENT
OVERALL LENGTH	62"
SIDE RAIL HEIGHT*	2.35"
HEIGHT ADDED **	2.75"
CLEARANCE BETWEEN ROOF AND RACK	1"
WEIGHT	~34 LBS
CROSS BARS - BLACK - (1X2)	(9) 44"
CROSS BARS - CLEAR - (1X2)	(1) 44"

*AS MEASURED AT THE CENTER OF THE SIDE RAIL

**AS MEASURED FROM THE CENTER POINT OF THE ROOF

All products built and designed by Prinsu Design Studio are intended for off-road use and should be assembled, installed, and used according to Prinsu Design Studio's recommendations. Prinsu Design Studio products should be used safely with good judgment towards others and the environment. By installing Prinsu Design Studio Products on your vehicle you assume all liability. Prinsu Design Studio will not be held liable for damages or loss associated with the installation or use of its products. Be smart, use good judgement, don't overload your vehicle to the point of inferior handling and maneuverability!