

PRINSU ROOF RACK INSTALLATION GUIDE



CHEVY COLORADO

*** WARNING: Neither the seller nor the manufacturer will be liable for any loss, damage, or injury directly or indirectly arising from the use of or inability to determine the use of these products. Before using, the user shall determine the suitability of the product(s) for its intended use(s), and the user shall assume all responsibility and risk in connection therewith.***

PRINSU ROOF RACK INSTALLATION GUIDE

CROSSBAR HARDWARE DIAGRAM

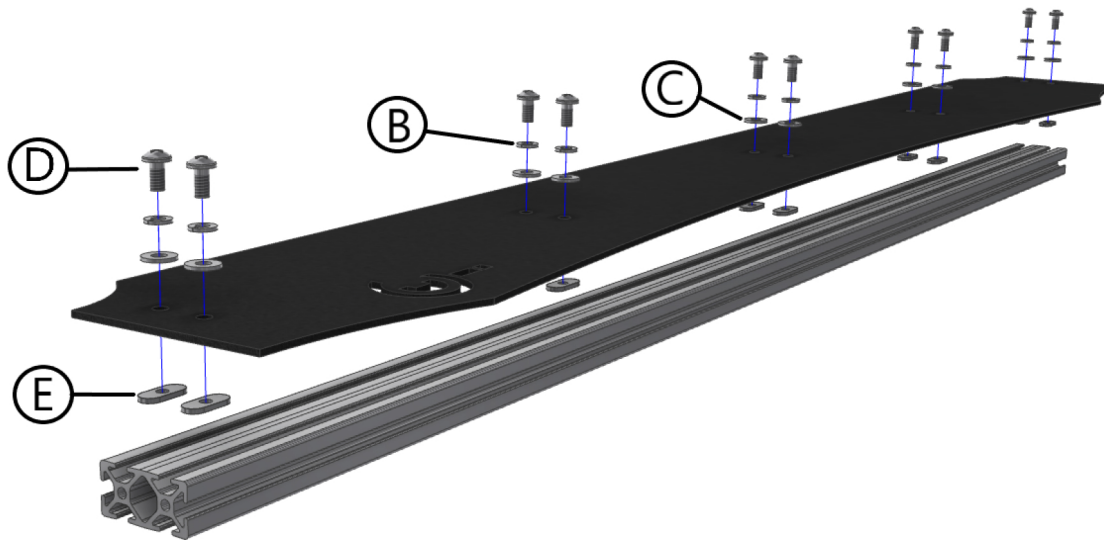


| PART | Description | Quantity |
|------|------------------------------|----------|
| A | 1/4" - 20 x 1" Machine Screw | 26 |
| B | 1/4"- Lock Washer | 26 |
| C | 1/4" - SAE Flat Washer | 26 |

*** WARNING: Neither the seller nor the manufacturer will be liable for any loss, damage, or injury directly or indirectly arising from the use of or inability to determine the use of these products. Before using, the user shall determine the suitability of the product(s) for its intended use(s), and the user shall assume all responsibility and risk in connection therewith.***

PRINSU ROOF RACK INSTALLATION GUIDE

WIND DEFLECTOR HARDWARE DIAGRAM

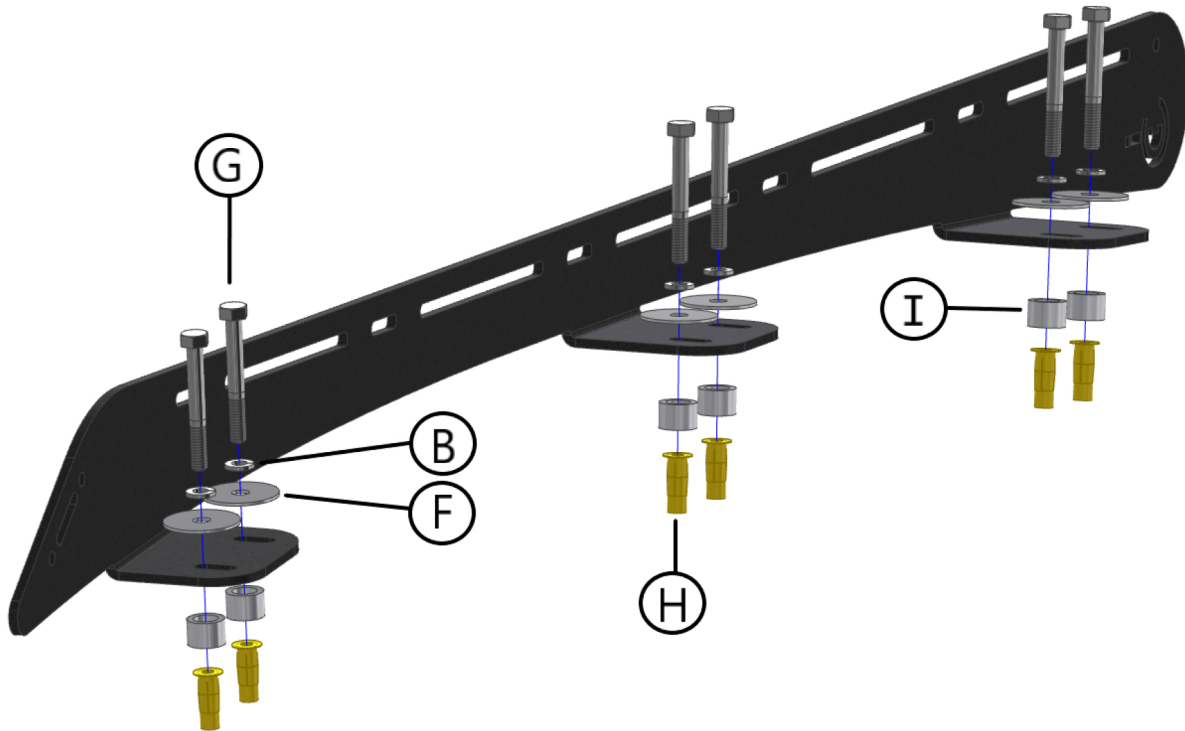


| PART | Description | Quantity |
|------|---------------------------------|----------|
| B | 1/4" - Lock Washer | 10 |
| C | 1/4" - SAE Flat Washer | 10 |
| D | 1/4" - 20 x 1/2" Pan Head Screw | 10 |
| E | 1/4" - 20, 10 Series T Nut | 10 |

*** WARNING: Neither the seller nor the manufacturer will be liable for any loss, damage, or injury directly or indirectly arising from the use of or inability to determine the use of these products. Before using, the user shall determine the suitability of the product(s) for its intended use(s), and the user shall assume all responsibility and risk in connection therewith.***

PRINSU ROOF RACK INSTALLATION GUIDE

MOUNTING HARDWARE DIAGRAM

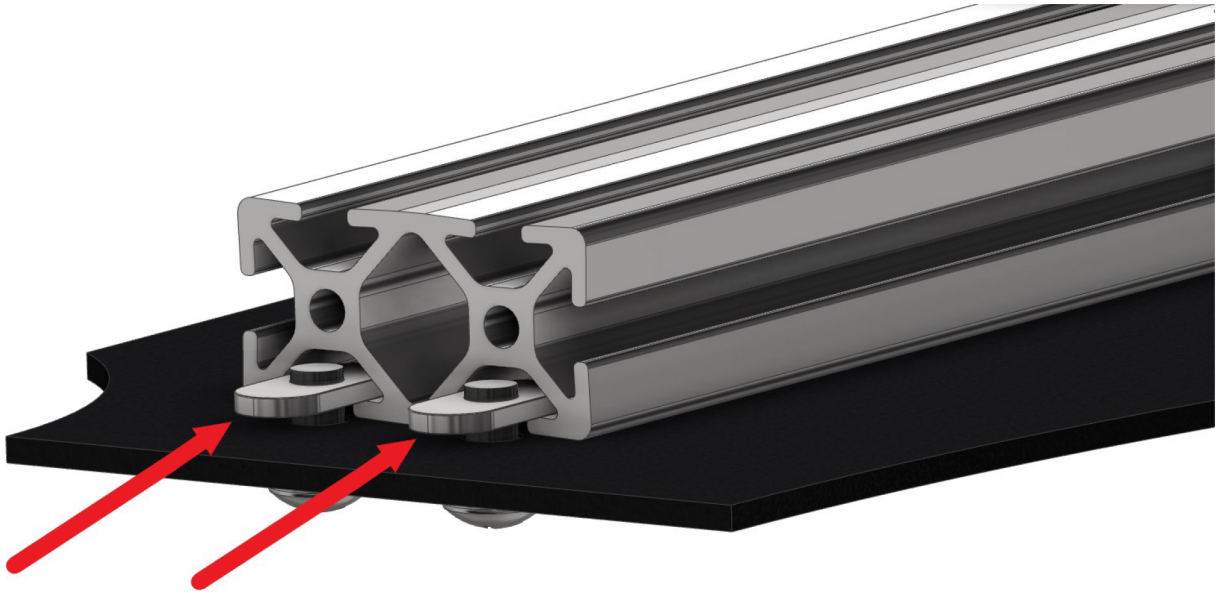


| PART | Description | Quantity |
|------|----------------------------------|----------|
| B | 1/4"- Lock Washer | 12 |
| F | 5/16" - Fender Washer | 12 |
| G | 1/4" - 20 x 1-3/4" Hex Cap Screw | 12 |
| H | 1/4" - 20 Plusnut | 12 |
| I | 5/8" Aluminum Spacer | 12 |

*** WARNING: Neither the seller nor the manufacturer will be liable for any loss, damage, or injury directly or indirectly arising from the use of or inability to determine the use of these products. Before using, the user shall determine the suitability of the product(s) for its intended use(s), and the user shall assume all responsibility and risk in connection therewith.***

PRINSU ROOF RACK INSTALLATION GUIDE

WIND DEFLECTOR ATTACHMENT



1. Install the wind deflector hardware as shown in the diagram on page 3. The screws should just barely thread into the T-Nuts .
2. Lay the deflector on a flat surface so that the T-Nuts are facing up.
3. From one end start sliding the extrusion bar so that the tnuts feed into the channel.
4. Once everything is lined up properly it will slide right on
5. Once all T-Nuts have been fed into the channel and the extrusion bar and deflector are flush on both ends, turn the assembly over and tighten the screws until the lock washers are compressed.
6. The deflector can now be bolted to the rack.

*** WARNING: Neither the seller nor the manufacturer will be liable for any loss, damage, or injury directly or indirectly arising from the use of or inability to determine the use of these products. Before using, the user shall determine the suitability of the product(s) for its intended use(s), and the user shall assume all responsibility and risk in connection therewith.***

PRINSU ROOF RACK INSTALLATION GUIDE

DRILLING INSTRUCTIONS

If you do not feel comfortable with the processes outlined in this manual please seek professional installation assistance. Please read all instructions prior to beginning installation. Various steps may relate directly to previous or future parts of the installation process. Prinsu Design Studio is not liable for damages caused to your vehicle during the installation process.



Locate the weather stripping on the top of the roof. First push up from above the rear window to begin removal



The weather stripping is held in place near the windshield by the clips shown above. Press in the tab to remove



The remaining attached portion can be removed by sliding the strip backwards and then lifting up to release the clips shown above



Measure from the edge of the windshield seam as shown above



Mark off at 7 inches on the driver and passenger sides. These will act as your guide holes later in the process

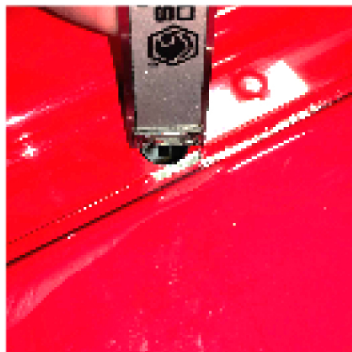


Drill one hole on both sides of the truck. The recommended hole size from plus nut is .386"-.391"*

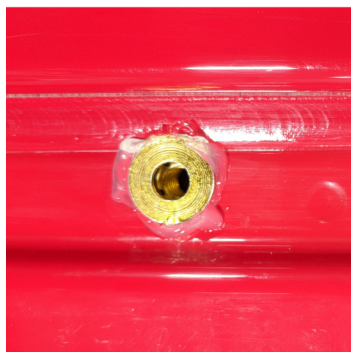
*** It's also recommended to pull back the trim around the doors so that the under side of the headliner can be accessed and cleaned of any excess metal saving from the drilling process**

*** WARNING: Neither the seller nor the manufacturer will be liable for any loss, damage, or injury directly or indirectly arising from the use of or inability to determine the use of these products. Before using, the user shall determine the suitability of the product(s) for its intended use(s), and the user shall assume all responsibility and risk in connection therewith.***

PRINSU ROOF RACK INSTALLATION GUIDE



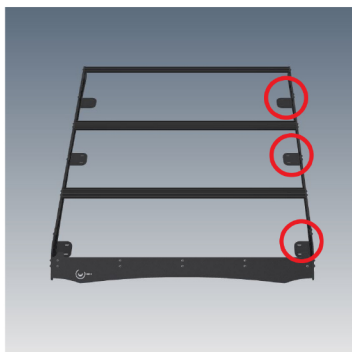
The roof is approximately .215” thick and we recommend marking your bit off so as not to drill too deep



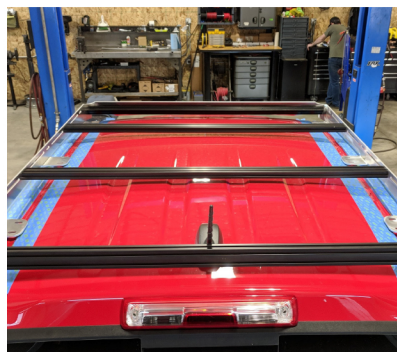
Generously seal the holes with silicone before inserting the plusnuts taking care to insure they are flush against the roof



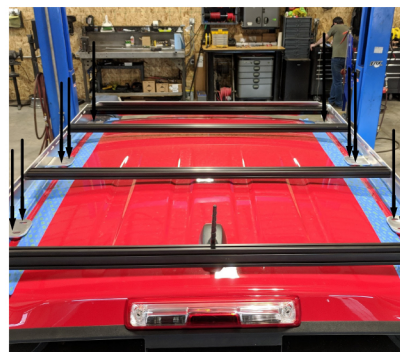
To fasten the plusnuts please refer to the PDF on our website labeled: *DRILLING AND PLUSNUT APPLICATIONS*



Now assemble the roof rack, but do not place crossbars over the mounting feet yet. They need to be exposed for upcoming steps



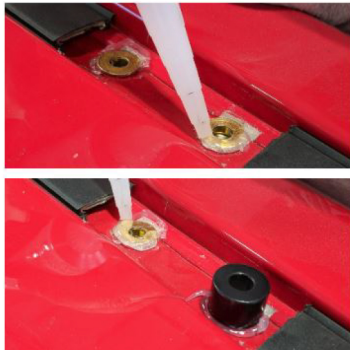
Place the roof rack on the vehicle and without spacers lightly bolt it to the first two plusnuts you’ve installed



Ensure that your roof rack is ***squarely*** placed on your vehicle. Then mark down the location of each mounting foot slot on the vehicle

*** WARNING: Neither the seller nor the manufacturer will be liable for any loss, damage, or injury directly or indirectly arising from the use of or inability to determine the use of these products. Before using, the user shall determine the suitability of the product(s) for its intended use(s), and the user shall assume all responsibility and risk in connection therewith.***

PRINSU ROOF RACK INSTALLATION GUIDE



With all the holes now drilled begin placing the spacers on the vehicle making sure to apply more silicon to seal the spacer against the plusnut



Next place the weather stripping parallel to the channel and mark it where you wish to cut



After marking the strip cut out the marked areas making sure to keep track of their order for placement back on the vehicle



One clip will need trimmed on one of the strips where it hangs past the edge



Once all the pieces are trimmed it should look like the picture above



The roof rack can now be completely secured to the vehicle in the order shown on pg.4. Attach any remaining crossbars and installation is now complete!

*** WARNING: Neither the seller nor the manufacturer will be liable for any loss, damage, or injury directly or indirectly arising from the use of or inability to determine the use of these products. Before using, the user shall determine the suitability of the product(s) for its intended use(s), and the user shall assume all responsibility and risk in connection therewith.***

PRINSU ROOF RACK INSTALLATION GUIDE

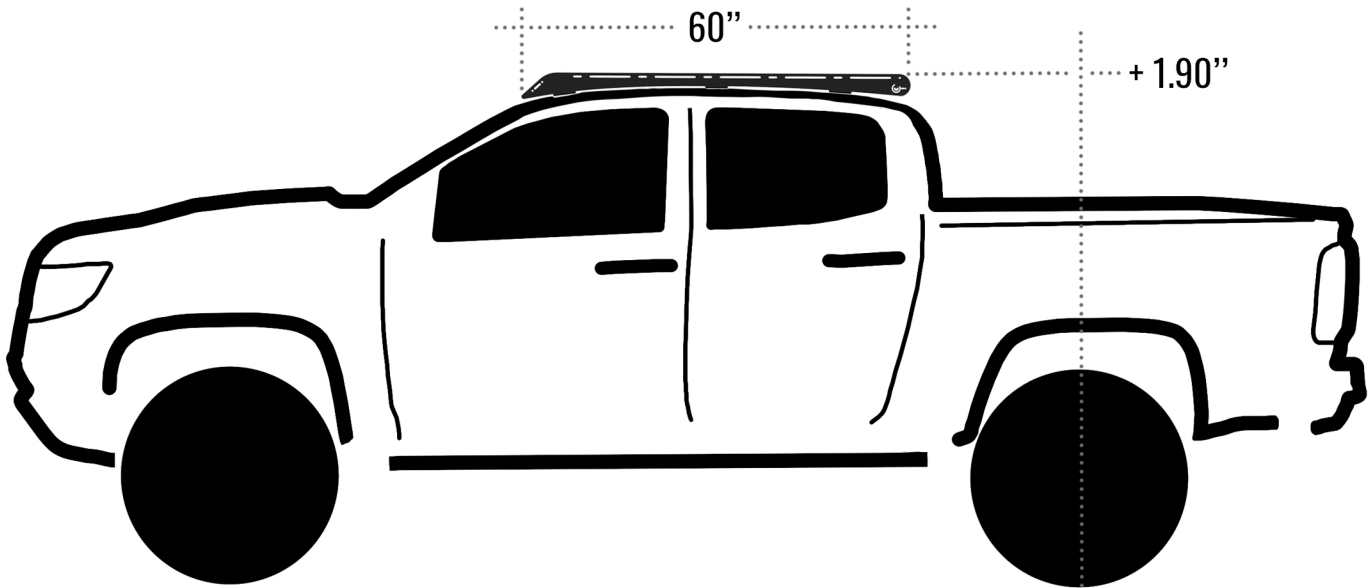
WARRANTY

PRINSU DESIGN STUDIO will warranty all PRINSU DESIGN STUDIO manufactured parts for a LIFETIME of use. This limited Lifetime Warranty is effective for as long as the original retail purchaser owns the product. This warranty terminates when the original retail purchaser sells or otherwise transfers the product to any other person. Each manufactured product must be installed following PRINSU DESIGN STUDIO'S recommended fitment and installation procedures. Any customization or modification to the original product design, functionality, or use, either by said customer or by PRINSU DESIGN STUDIO voids all warranty eligibility. It is the sole discretion of CBI Offroad to determine warranty eligibility. Subject to the limitations and exclusions described in this warranty, PRINSU DESIGN STUDIO will remedy defects in materials or workmanship by repairing or replacing, at its option, a defective product without charge for parts. In addition, PRINSU DESIGN STUDIO may elect, at its option, not to repair or replace a defective product but rather issue to a purchaser a refund equal to the purchase price paid for the product or a credit to be used toward the purchase of a new PRINSU DESIGN STUDIO product. No warranty is given for defects caused by normal wear and tear, cosmetic rust, scratches, accidents, unlawful vehicle operation, products used for racing or competition, or modification of, or any types of repair of, a PRINSU DESIGN STUDIO manufactured product. The PRINSU DESIGN STUDIO Warranty does not include the powder coated finish. No warranty is given for defects resulting from conditions beyond PRINSU DESIGN STUDIO'S control including, but not limited to, misuse, neglect, overloading, improperly maintained or failure to assemble, mount or use the product in accordance with PRINSU DESIGN STUDIO'S written instructions or guidelines included with the product or implied use made available to the purchaser.

DISCLAIMER OF LIABILITY REPAIR OR REPLACEMENT OF A DEFECTIVE PRODUCT OR THE ISSUANCE OF A REFUND OR CREDIT (AS DETERMINED BY PRINSU DESIGN STUDIO) IS A PURCHASER'S EXCLUSIVE REMEDY UNDER THIS WARRANTY. DAMAGE TO A PURCHASER'S VEHICLE, CARGO AND/OR TO ANY OTHER PERSON OR PROPERTY IS EXCLUDED. THIS WARRANTY IS EXPRESSLY MADE IN LIEU OF ANY AND ALL OTHER WARRANTIES, EXPRESS OR IMPLIED, INCLUDING THE WARRANTIES OF MERCHANTABILITY AND FITNESS FOR A PARTICULAR PURPOSE. PRINSU DESIGN STUDIO'S SOLE LIABILITY TO ANY PURCHASER IS LIMITED TO THE REMEDY SET FORTH ABOVE. IN NO EVENT WILL PRINSU DESIGN STUDIO BE LIABLE FOR ANY LOST PROFITS, LOST SALES, OR FOR ANY CONSEQUENTIAL, DIRECT, INDIRECT, INCIDENTAL, SPECIAL, EXEMPLARY, OR PUNITIVE DAMAGES OR FOR ANY OTHER DAMAGES OF ANY KIND OR NATURE

All products built and designed by Prinsu Design Studio are intended for off-road use and should be assembled, installed, and used according to Prinsu Design Studio's recommendations. Prinsu Design Studio products should be used safely with good judgment towards others and the environment. By installing Prinsu Design Studio Products on your vehicle you assume all liability. Prinsu Design Studio will not be held liable for damages or loss associated with the installation or use of its products. Be smart, use good judgement, don't overload your vehicle to the point of inferior handling and maneuverability!

CHEVY COLORADO ROOF RACK SPECIFICATIONS



| FEATURE | MEASUREMENT |
|---------------------------------|-------------|
| OVERALL LENGTH | 60" |
| SIDE RAIL HEIGHT* | 2.05" |
| HEIGHT ADDED ** | 1.90" |
| CLEARANCE BETWEEN ROOF AND RACK | 0.625" |
| WEIGHT | ~36 lbs |
| CROSS BARS - BLACK - (1X2) | (5) 47" |
| CROSS BARS - BLACK - (1X1) | (1) 47" |
| CROSS BARS - CLEAR - (1X2) | (1) 47" |

*AS MEASURED AT THE CENTER OF THE SIDE RAIL

**AS MEASURE FROM THE CENTER POINT OF THE ROOF

All products built and designed by Prinsu Design Studio are intended for off-road use and should be assembled, installed, and used according to Prinsu Design Studio's recommendations. Prinsu Design Studio products should be used safely with good judgment towards others and the environment. By installing Prinsu Design Studio Products on your vehicle you assume all liability. Prinsu Design Studio will not be held liable for damages or loss associated with the installation or use of its products. Be smart, use good judgement, don't overload your vehicle to the point of inferior handling and maneuverability!