

USER MANUAL

oransi 

max

AIR PURIFIER

READ AND SAVE THESE INSTRUCTIONS



we | come

WE APPRECIATE YOU CHOOSING ORANSI

You can expect the very best performance from your Oransi for removal of fine air particles where it is used. If you have questions beyond this manual, feel free to visit our website Oransi.com or call our trained customer service staff at 888.281.3948. Your air purifier serial number can be found on the rating label.

Sincerely,
THE ORANSI TEAM



INDEX

- 05** safety precautions
- 07** air purifier overview
 - how to use
- 11** maintenance
 - assembly/disassembly
- 13** troubleshooting
 - best practices
- 14** warranty program



**first,
be safe.**

oransi 

SAFETY PRECAUTIONS

READ ALL INSTRUCTIONS BEFORE USING THIS APPLIANCE TO REDUCE THE RISK OF FIRE, ELECTRIC SHOCK, OR INJURY. PLEASE SAVE FOR REFERENCE.

- Do not attempt to service the air purifier in any way other than to replace or clean the air filter.
- This product operates at 120V 60Hz only.
- Always unplug the power cord from the electrical outlet when the air purifier is not in use or when changing the filter.
- Never run the air purifier unless it is fully assembled.
- Do not alter the plug in any way.
- Always turn off the air purifier before unplugging the air purifier from the outlet.
- Do not place the cord near a heated surface.
- Never operate the air purifier if the plug or cord is damaged or appears damaged. Only qualified service personnel should ever replace or attempt to replace a damaged power cord or plug.
- Never use the power cord to pick up, carry, drag, pull, or lift the air purifier. Do not pull the cord against or around sharp corners and edges.
- Always remove the plug from its power outlet by holding onto the plug itself and pulling gently.
- Use care when operating the air purifier by keeping all foreign objects, fingers, body parts, hair, loose clothing, jewelry, etc., away from openings.
- Do not drop items into the air purifier.
- Never touch the air purifier or its plug when your hands are wet.
- If moving the air purifier, lift by the carrying handle.
- Do not use outside.
- Do not operate without the filters installed.
- Only use in an upright position. Do not place anything on top of the air purifier.
- Use only as described in this manual.
- Use only Oransi replacement filters.
- Place air purifier on a flat floor.
- This appliance has a polarized plug (one blade is wider than the other). To reduce the risk of electric shock, this plug is intended to fit in a polarized outlet only one way. If the plug does not fit fully in the outlet, reverse the plug. If it still does not fit, contact a qualified electrician. Do not attempt to by-pass this safety feature.

WARNING

To Reduce The Risk Of Fire Or Electric Shock, Do Not Use This Fan With Any Solid-State Speed Control Device.

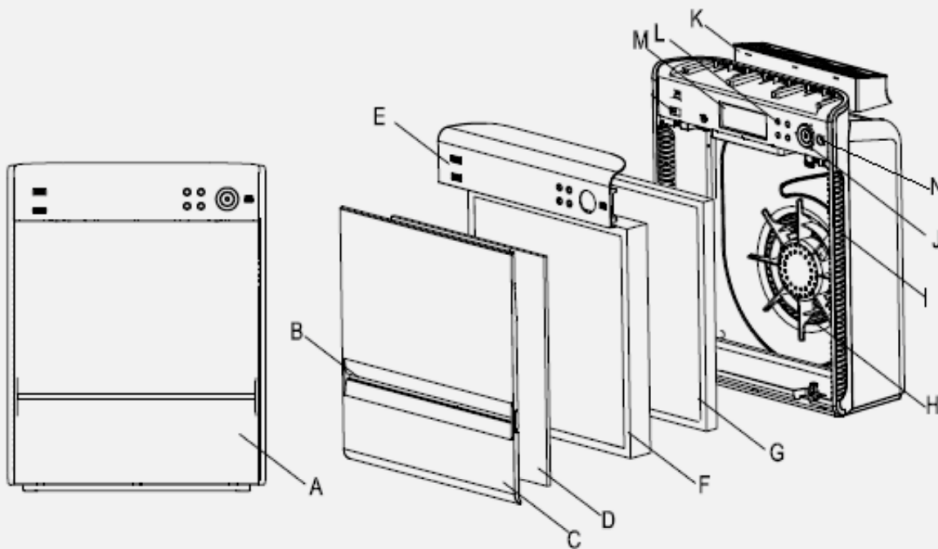
next, meet your max.



SKU: OVHM80

oransi 

AIR PURIFIER OVERVIEW



Main Structure

- A. Front view
- B. Front air flow inlet
- C. Front cover
- D. Pre-filter
- E. Front panel
- F. HEPA Filter
- G. Carbon Filter
- H. Fan
- I. Side air flow inlet
- J. Power button
- K. Air flow outlet
- L. Function buttons
- M. LED Display
- N. Air Quality Sensor

Technical Data

120V, 60Hz, 90W, 0.8A

Purifying Process & Main Features

Pre-Filter

Captures larger sized particles like dust. Can be cleaned by vacuuming lightly or wiping with a damp cloth.

HEPA Filter

HEPA Filter to remove microscopic particles down to 0.3 microns in size such as fine dust, pollen, bacteria and mold.

Activated Carbon Filter

The activated Carbon Filter consists of a vast system of highly absorbent molecular-sized pores to remove gases, light odors and VOCs (volatile organic compounds).

Anion generator

Low level and ozone-safe negative ionizer to freshen and balance the air (i.e. neutralizes a surplus of positive charges from TVs and computer monitors).

AIR PURIFIER OVERVIEW

Air Quality Sensor (AQS)

Measures and displays the air quality. In Auto Mode, the unit automatically adjusts its fan speed based upon the air quality reading. There are five levels of air quality as indicated above.



NOTE: The air quality reading is located above the AQS. Since the air quality sensor is located on the air purifier the reading will be in the area of the air purifier. In many cases it will have a reading of Excellent or Very Good.

Placement

In order to get better performance in cleaning, it is recommended to place the purifier on the ground or a stable surface. Since the air is drawn in through the front of the air purifier it can be placed near a wall.

Standby

In Standby Mode, the Standby indicator illuminates in red to show the air purifier has been plugged in and has power but is not operating.

Refresh Anions

The Refresh icon will be illuminated on the panel when the Ionizer feature is activated. You can turn this off by pressing the Anion button. In Auto Mode, the Ionizer will always automatically be on and producing negative ions, indicated by "Refresh."

Fan Speed

There are four different fan speeds with Silent the lowest and Turbo the highest fan speeds.

Auto Mode

In Auto Mode, the unit will run at the lowest fan speed. If the AQS detects a change in the density of particles in the air, the unit will increase the fans speed. Once the AQS detects it has cleaned the dense particles out of the atmosphere it will return to the lowest fan speed.

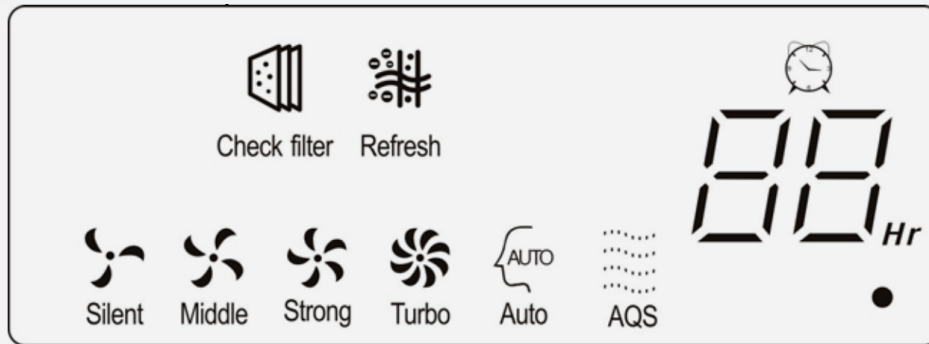
Check Filter

When the purifier has run for a total time of 3,000 hours, the maintenance indicator illuminates to remind the user to vacuum the pre-filter and to look at the HEPA Filter. The HEPA Filter has a color shade on the frame to see whether it is time to be replaced.

HOW TO USE

Buttons and Display

ON/OFF, Fan Speed, Timer, Auto, Refresh



Operation Guide

On/Off

When plugged in, the unit will beep and illuminate the icons on the display. Press the ON/OFF button and the unit will start on the Strong fan speed. Any time the unit is restarted, it will remember its last working status.

Fan Speed

The fan speed cycles in the following order:

Silent - Green

Middle - Blue

Strong - Orange

Turbo - Red

The lighted indicator around the power button indicates the fan speed with different colors. Silent is green, Middle is blue, Strong is orange and Turbo is red.

Refresh

Press this button and the ionizer starts generating anions (negative ions). Press this button again to turn off. The refresh icon will be illuminated when the anion feature is activated.

Check Filter Timer

Press the Timer button to set the number of hours the air purifier will run before turning off. With each press of this button, the time will increase 1 hour and max at 12 hours. Pressing again after 12 hours will turn off the timer.

let's keep
each other
healthy.

oransi 

MAINTENANCE

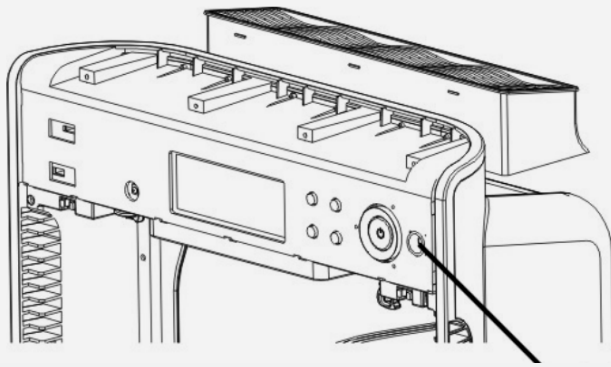
Cover and Housing

Power off the unit and unplug before any maintenance.

Clean the unit only when necessary. If the unit is used in a dirty environment it may need cleaning more frequently.

Wipe any dust away with a soft cloth (can be dry or damp).

Do not use any cleaners or chemicals on the air purifier.



AIR QUALITY SENSOR

Air Quality Sensor (AQS)

Clean out the dust blocking the sensors' air inlet.

If the sensor is giving a false reading, vacuum around the sensor to remove any dust that may have accumulated there. The sensor is located next to the ON/OFF button.

Filters

The filters should be cleaned and replaced regularly.

Pre-filter

The Pre-filter can be vacuumed lightly and/or rinsed under sink water, but make sure it is completely dry before re-installing. It's recommended to clean this filter every 3 months and replace it after 1 year.

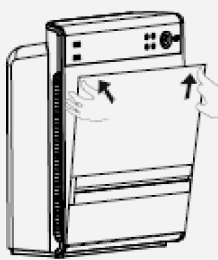
HEPA Filter and Carbon Filter

When the purifier has run for 3,000 hours, the maintenance indicator illuminates to remind the user to check the HEPA and Carbon Filters. The HEPA Filter has a color shade on the frame to see whether it is necessary to replace. Please replace it when the color is dark.

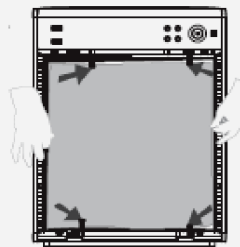
NOTE: After maintenance, press the buttons Fan Speed and Anion simultaneously until you see CL for Clear on your control panel. Please note that whenever the Fan Speed and Anion buttons are pressed at the same time, the counter will be reset. If users do not reset the counter after checking the filter or forget to check the filter after 3,000 hours, Check Filter will blink after 3,500 hours as a reminder.

MAINTENANCE

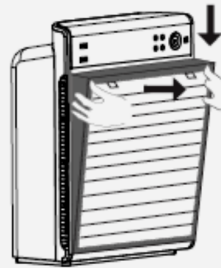
INSTRUCTIONS ARE LISTED IN NUMERICAL ORDER. USE AIR PURIFIER OVERVIEW AND PHOTOS FOR REFERENCE.



1



2



3



4

Disassembly

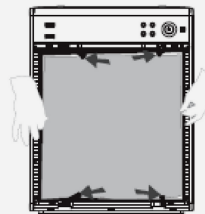
1. Using the front cover removal tool, or any non-conductive item such as the handle of a plastic utensil, a wooden chopstick or similar item can be used in place of the tool provided with your unit. Insert the tool into the uppermost side air intake slot and gently push outwards against the back surface of the front cover until the top corner of the front panel 'pops' free, as shown above. Repeat this process for the other side and then lift the entire front panel up and away from the main body, exposing the filter compartment. Place the front panel out of the way and protect it from damage.
2. Pre-filter: Turn the 4 locks per the direction of the arrows to release the pre-filter.
3. HEPA Filter: Hold the small ribbon and pull the filter out.
4. Carbon Filter: Hold the small ribbon and pull the filter out.



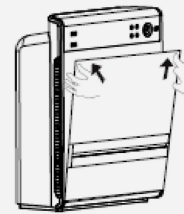
1



2



3



4

Assembly

1. Carbon Filter: Put the filter in place from the bottom and then push it into the cabinet.
2. HEPA Filter: Put the filter in place from the bottom and then push it into the cabinet.
3. Pre-filter: Place in the pre-filter and turn the locks to secure it.
4. Front cover: Secure the interlock at the bottom first and push the whole cover inwards at the top two corners to secure it

TROUBLESHOOTING

Problem: Air Quality indicator constantly shows poor air quality.

Cause: Lens inside the sensor is dirty.

Solution: Turn off and vacuum the sensor (to the right of the power button). Wait a few seconds and power back on.

Problem: Unit will not turn on.

Cause: Cover is not fully closed, may be blocked by filters. This occurs sometimes in shipment.

Solution: Remove the front cover and all of the filters. Re-install the filters and ensure each is fully installed. Reinstall the front cover with the bottom edge first and then rotate to snap the top two corners in place.



Using Your Oransi

Always operate your air purifier indoors on a level surface.

Locate your air purifier wherever you spend most of your time. Typically, a bedroom, living space, office waiting room, or classroom. Set the fan speed to a level that is comfortable for you. Low settings are less audible. In most cases, you can run your air purifier on a very low fan.

For larger areas, consider a higher fan speed when you're absent and then turn the setting lower when you return.

Air enters your Oransi at the bottom and exits the top, so you can place the unit anywhere in a room. However, be careful that curtains do not block air intake or exit.

FOR ASSISTANCE

visit www.oransi.com
call 888-281-3948
or email cs@oransi.com

warranty

ORANSI WARRANTY DISCLAIMER

The Max Air Purifier carries a 10-year limited warranty from the original purchase date. Oransi will replace your air purifier provided the product is determined to be defective as a result of faulty material or workmanship while in normal use.

Oransi's sole obligation under this warranty is to replace or at Oransi's discretion, to repair, free of charge, all defective parts. This warranty will not be valid if the unit is damaged by the user. Proof of purchase may be required by Oransi's warranty service representative. All parts or units that are replaced become the property of Oransi.

Warranty remains in effect only if:

1. The Air Purifier is operated in accordance with the instructions provided in the Oransi User Manual
2. The Air Purifier is connected to a proper power supply (see voltage label on the machine).
3. The unit shows no evidence of tampering, mishandling, neglect, accidental damage, modification, and/or repair by anyone other than authorized Oransi service personnel.
4. Replacement filters are purchased directly from Oransi or an authorized dealer.