

USER MANUAL

oransi 

finn

AIR PURIFIER

READ AND SAVE THESE INSTRUCTIONS

we | come

WE APPRECIATE YOU CHOOSING ORANSI

You can expect the very best performance from your Oransi for removal of fine air particles where it is used. If you have questions beyond this manual, feel free to visit our website Oransi.com or call our trained customer service staff at 888.281.3948. Your air purifier serial number can be found on the rating label.

Sincerely,
THE ORANSI TEAM



INDEX

- 05** safety precautions
- 07** air purifier overview
 - operating instructions
- 10** maintenance
 - filter/uv replacement
- 13** troubleshooting
 - how to use
- 14** warranty program



**first,
be safe.**

oransi 

SAFETY PRECAUTIONS

READ ALL INSTRUCTIONS BEFORE USING THIS APPLIANCE TO REDUCE THE RISK OF FIRE, ELECTRIC SHOCK, OR INJURY. PLEASE SAVE FOR REFERENCE.

- Do not attempt to service the air purifier in any way other than to replace or clean the air filter.
- This product operates at 120V 60Hz only.
- Always unplug the power cord from the electrical outlet when the air purifier is not in use or when changing the filter.
- Never run the air purifier unless it is fully assembled.
- Do not alter the plug in any way.
- Always turn off the air purifier before unplugging the air purifier from the outlet.
- Do not place the cord near a heated surface.
- Never operate the air purifier if the plug or cord is damaged or appears damaged. Only qualified service personnel should ever replace or attempt to replace a damaged power cord or plug.
- Never use the power cord to pick up, carry, drag, pull, or lift the air purifier. Do not pull the cord against or around sharp corners and edges.
- Always remove the plug from its power outlet by holding onto the plug itself and pulling gently.
- Use care when operating the air purifier by keeping all foreign objects, fingers, body parts, hair, loose clothing, jewelry, etc., away from openings.
- Do not drop items into the air purifier.
- Never touch the air purifier or its plug when your hands are wet.
- If moving the air purifier, lift by the carrying handle.
- Do not use outside.
- Do not operate without the filters installed.
- Only use in an upright position. Do not place anything on top of the air purifier.
- Use only as described in this manual.
- Use only Oransi replacement filters.
- Place air purifier on a flat floor.
- This appliance has a polarized plug (one blade is wider than the other). To reduce the risk of electric shock, this plug is intended to fit in a polarized outlet only one way. If the plug does not fit fully in the outlet, reverse the plug. If it still does not fit, contact a qualified electrician. Do not attempt to by-pass this safety feature.

WARNING

To Reduce The Risk Of Fire Or Electric Shock, Do Not Use This Fan With Any Solid-State Speed Control Device.

next, meet
your finn.



SKU: OVHT9908

oransi 

AIR PURIFIER OVERVIEW

UNIT FRONT VIEW



UNIT TOP VIEW



HOW TO USE

INSTRUCTIONS ARE LISTED IN NUMERICAL ORDER. USE AIR PURIFIER OVERVIEW PAGE FOR REFERENCE.

Pre-Operating Instructions

1. Pre-Operating Instructions
2. Carefully remove your air purifier from the gift box and the bag.
3. Remove the back cover and remove the filter from the bag.
4. Select a firm, level and flat location. For proper air flow, locate the unit at least 1 foot (0.3 M) from any wall or furniture. Ensure no grilles are blocked.
5. Plug the power cord into a 120V AC outlet.

Operating Instructions

The air purifier is operated by the manual controls located on the top of the air purifier (as shown in Unit Top View).

1. Plug the air purifier into a 120V AC outlet.
2. Turn the air purifier on by pressing On/Off Button.
3. Upon turning the air purifier on, the power indicator will be lit, the unit will be at the High fan speed, and the ionizer will start to work.
4. Pressing Fan Speed Button, at this point will set the air purifier into Medium fan speed.
5. Pressing Fan Speed Button again will set the air purifier into Low fan speed.
6. Pressing Fan Speed Button once more will set the air purifier back to High fan speed.
7. To turn the air purifier off, press the On/Off Button.

COUNTDOWN NEGATIVE ION/ION FUNCTION:

When pressing the Ionizer Button to start it, the Ion icon will light on the LCD display. To turn the ionizer off, press Ionizer Button.

UV LAMP FUNCTION:

The UV-C germicidal lamp can kill harmful airborne bacteria and viruses. This function will work in any mode. Press the UV Button to start the UV lamp and stop the UV lamp by pressing the UV Button again.

UV LAMP RESET FUNCTION:

If the UV lamp needs to be replaced, the UV icon on the LCD will illuminate and flicker. After replacing the UV lamp, reset the UV lamp by pressing the UV Button for a few seconds, the UV icon will stop flickering and the new UV lamp will start to work. Check from the UV View Window, if the UV lamp still lights, it should not be replaced.

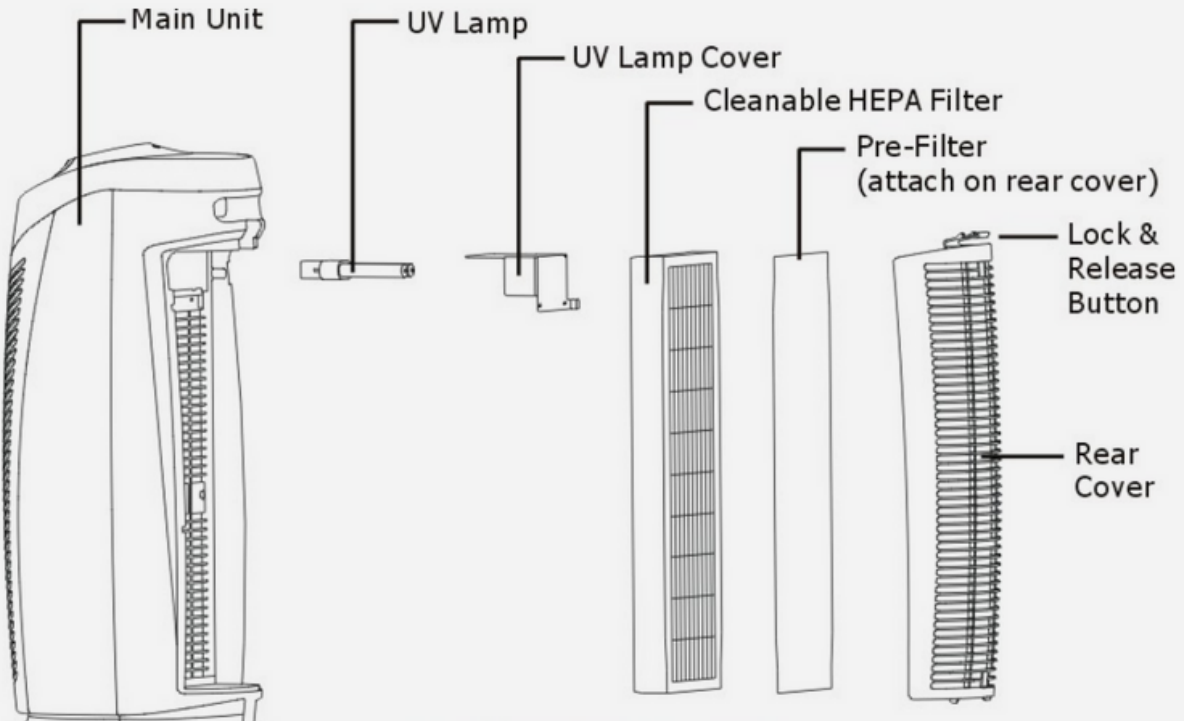
HEPA RESET FUNCTION:

If the HEPA filter needs to be cleaned, the HEPA Reset icon on the LCD will illuminate and flicker. After cleaning the HEPA filter, RESET the HEPA filter by using a pin or paperclip to press the HEPA RESET Button, then the icon will stop flickering. For instruction on how to clean the HEPA filter see page 10.

let's keep
each other
healthy.

oransi 

MAINTENANCE

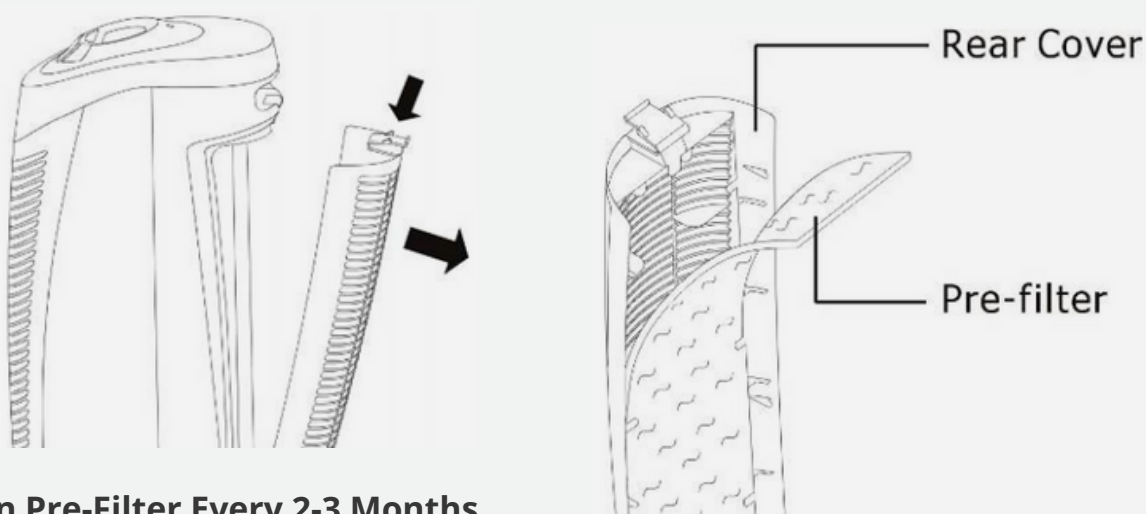


General Upkeep Instructions

1. The air filters should be checked every 2 to 3 months. More frequent cleaning may be required depending upon environmental conditions.
2. Clean the HEPA filter and pre-filter with the vacuum brush attachment of your vacuum cleaner. This will remove lint and dirt. See **CLEANING PRE-FILTER** and **CLEANING HEPA FILTER** on page 11.
3. Check the UV lamp from the UV view window (Unit Front View on page 7). If the UV lamp needs to be replaced, see **REMOVING/INSTALLING UV LAMP** on page 12.
4. Use a clean, dry, soft cloth to wipe the external surface of unit.

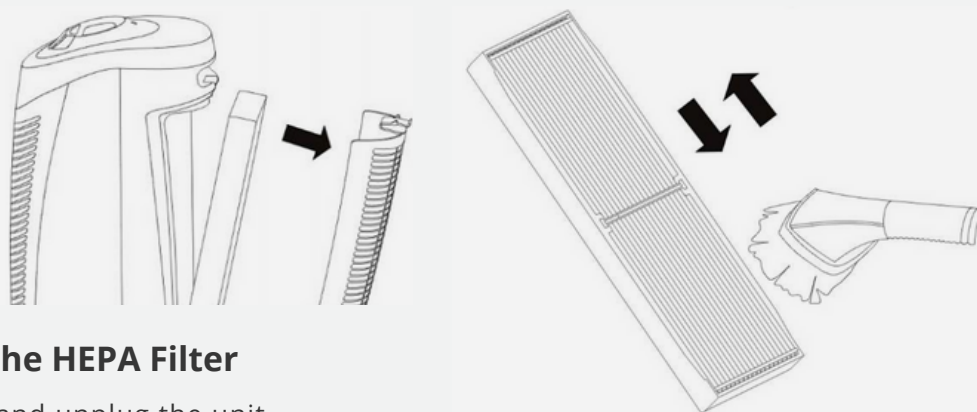
NOTE: Do not stick any foreign objects or your fingers inside the unit. Do not use any chemical or harsh cleaners, etc., as they will damage the product.
NEVER USE ALCOHOL OR SOLVENTS.

MAINTENANCE



Clean Pre-Filter Every 2-3 Months

1. Turn Off and unplug the unit.
2. Press the Lock & Release Button then remove the Rear Cover from the Unit.
3. Remove the pre-filter from the rear cover. Clean the pre-filter with the vacuum brush attachment of your vacuum cleaner. This will remove lint and dirt from the filter. Use a clean, damp, soft cloth to wipe the pre-filter again.
4. After cleaning, reattach the pre-filter to the rear cover, and install the rear cover back onto the unit and securely latch in place.



Cleaning the HEPA Filter

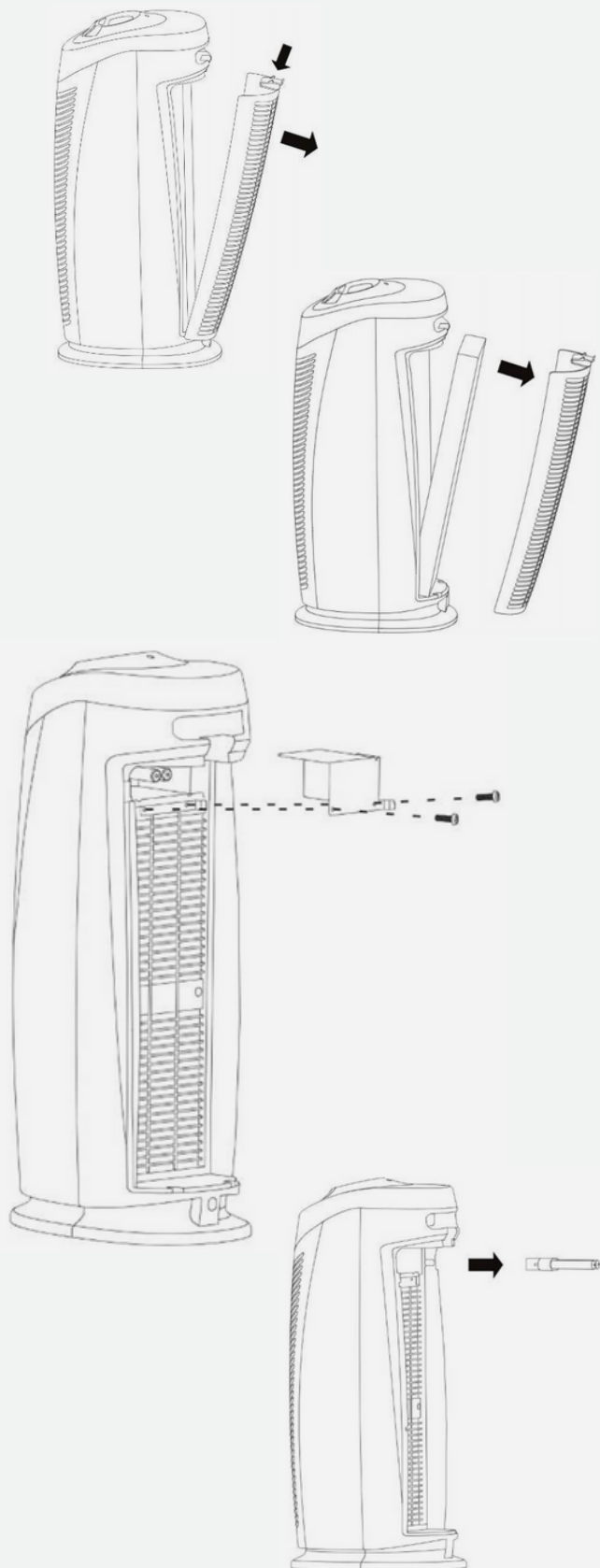
1. Turn off and unplug the unit
2. Press the Lock & Release Button and remove the Rear Cover from the unit
3. Remove the HEPA filter.
4. Use the brush attachment with your vacuum cleaner to clean the filter. CAUTION: Do not use water or any household cleaner to clean the HEPA filter.
5. The HEPA Filter will only fit in one way. Install the rear cover back to the unit and securely latch in place.

NOTE: The HEPA filter can be used continuously for up to one year. When the HEPA filter turns from white to dark grey, it should be replaced with a new one. If the HEPA filter is still white, it does NOT need to be replaced. Both the filter and rear cover must be installed otherwise the purifier will not power on.

MAINTENANCE

Removing or Installing UV Lamp

1. Turn off and unplug the unit
2. Press the Lock & Release Button and remove the Rear Cover from the unit
3. Remove the HEPA filter.
4. Use a screwdriver to remove the two screws and detach the UV lamp cover.
5. Grasp the UV lamp and pull it straight out from the lamp socket. The lamp is made of quartz so it is stronger than a standard UV lamp however we recommend reaching in toward the base since it is easier to remove from here than pulling on the end of the lamp.
6. Take a new UV lamp and insert it into the lamp socket. Simply press in on the end of the glass lamp to snap into place. Re-install the UV lamp cover (the large metal face should be above the UV lamp and align the two screw holes with the back of the air purifier), then install the filter and rear cover.
7. Please reference www.oransi.com for more information including a video demonstration that shows how to replace the UV lamp



CAUTION: UV lamp is a glass product, please handle it carefully.

NOTE: The metal cover over the lamp must be in place for the air purifier to operate.

TROUBLESHOOTING

If the air purifier shuts off unexpectedly, safety features may have been activated to prevent damage or injury. If this happens:

1. Be sure the air purifier is plugged into a working electrical outlet.
2. Check to be sure the UV lamp and UV lamp cover are firmly seated in place.
3. Check to be sure the HEPA filter is firmly seated in place.
4. Check to be sure the rear cover is latched firmly in place.

NOTE: If the air purifier will not start, press the safety switch located under the HEPA filter in the base of housing, then replace the filters and restart.



Using Your Oransi

Always operate your air purifier indoors on a level surface.

Locate your air purifier wherever you spend most of your time. Typically, a bedroom, living space, office waiting room, or classroom. Set the fan speed to a level that is comfortable for you. Low settings are less audible. In most cases, you can run your air purifier on a very low fan.

For larger areas, consider a higher fan speed when you're absent and then turn the setting lower when you return.

Air enters your Oransi at the bottom and exits the top, so you can place the unit anywhere in a room. However, be careful that curtains do not block air intake or exit.

FOR ASSISTANCE

visit www.oransi.com
call 888-281-3948
or email cs@oransi.com

warranty

ORANSI WARRANTY DISCLAIMER

The Finn Air Purifier carries a 10-year limited warranty from the original purchase date. Oransi will replace your air purifier provided the product is determined to be defective as a result of faulty material or workmanship while in normal use.

Oransi's sole obligation under this warranty is to replace or at Oransi's discretion, to repair, free of charge, all defective parts. This warranty will not be valid if the unit is damaged by the user. Proof of purchase may be required by Oransi's warranty service representative. All parts or units that are replaced become the property of Oransi.

Warranty remains in effect only if:

1. The Air Purifier is operated in accordance with the instructions provided in the Oransi User Manual
2. The Air Purifier is connected to a proper power supply (see voltage label on the machine).
3. The unit shows no evidence of tampering, mishandling, neglect, accidental damage, modification, and/or repair by anyone other than authorized Oransi service personnel.
4. Replacement filters are purchased directly from Oransi or an authorized dealer.