

Door Holdbacks

SKU / Part Number

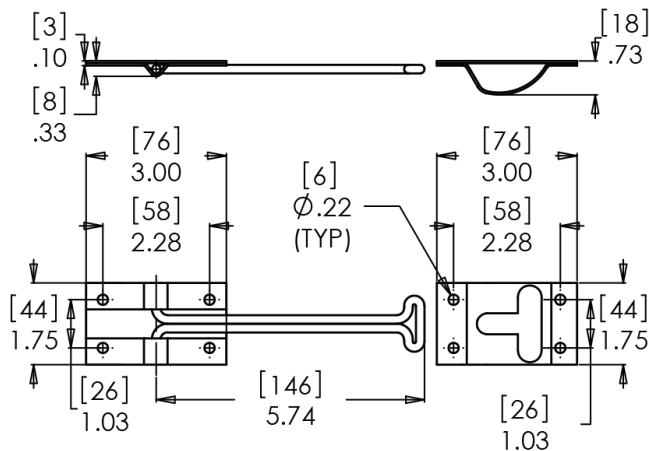
- 556-5140800
- 556-5140805
- 556-5160800
- 556-5160805

Benefits and Features

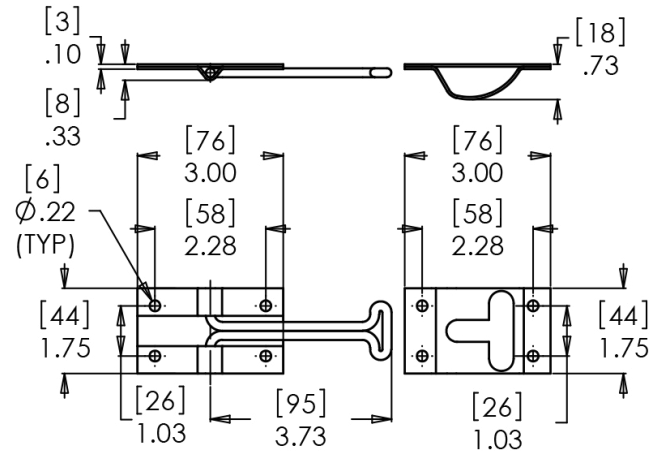
- Door holdbacks are used for holding swinging doors open.
- They are primarily used on trucks and trailers to hold open doors against the body.
- Latch hook engages and disengages manually.



Spec Drawing



556-5160800



556-5140800

Learn More

To learn more about TCH, please contact us toll-free at 1-800-465-6281 to speak to a qualified customer service representative.

Please visit our website for a full listing of TCH products at tchweb.com.

BUFFALO	CALGARY	DALLAS	MONTRÉAL	TORONTO
1370 William Street Buffalo, NY U.S.A. 14206	1135-45th avenue NE Calgary, AB, Canada T2E 2P2	10552 King William Dr. Dallas, TX U.S.A. 75220	16757 Boul. Hymus Kirkland, QC Canada H9H 3L4	40 Emblem Court Toronto, ON Canada M1S 1B1