

130lbs Drawer Slides, 12" to 28"

SKU / Part Number

- 520-1260800 (12")
- 520-1460800 (14")
- 520-1660800 (16")
- 520-1860800 (18")
- 520-2060800 (20")
- 520-2260800 (22")
- 520-2460800 (24")
- 520-2660800 (26")
- 520-2860800 (28")



Benefits and Features

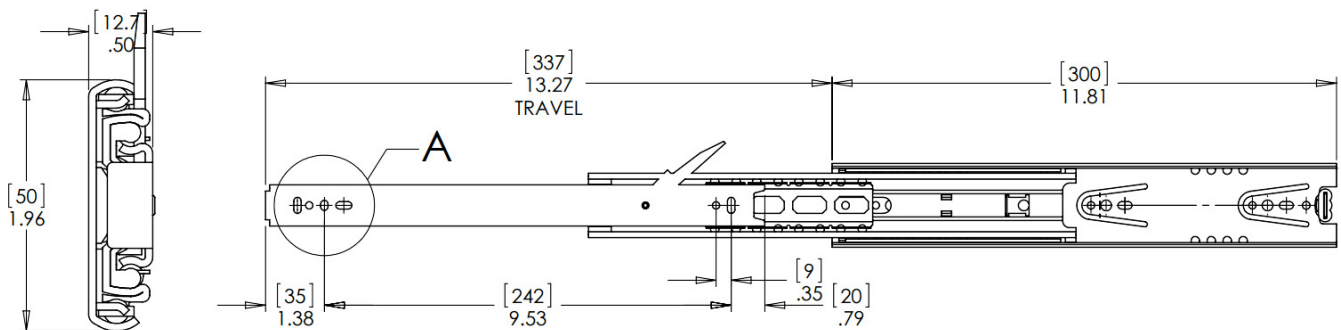
- Sold in pairs, load ratings are per pair.
- 3 stage, full extension slides with over travel.
- Equipped with quick release mechanism for easy installation or drawer/shelf removal.
- Hold-in feature prevents drawer from opening accidentally.
- All steel construction with high precision hardened steel ball bearings. Zinc plated for corrosion resistance.

Learn More

To learn more about TCH, please contact us toll-free at 1-800-465-6281 to speak to a qualified customer service representative.

Please visit our website for a full listing of TCH products at tchweb.com.

Spec Drawing



BUFFALO	CALGARY	DALLAS	MONTRÉAL	TORONTO
1370 William Street Buffalo, NY U.S.A. 14206	1135-45th avenue NE Calgary, AB, Canada T2E 2P2	10552 King William Dr. Dallas, TX U.S.A. 75220	16757 Boul. Hymus Kirkland, QC Canada H9H 3L4	40 Emblem Court Toronto, ON Canada M1S 1B1