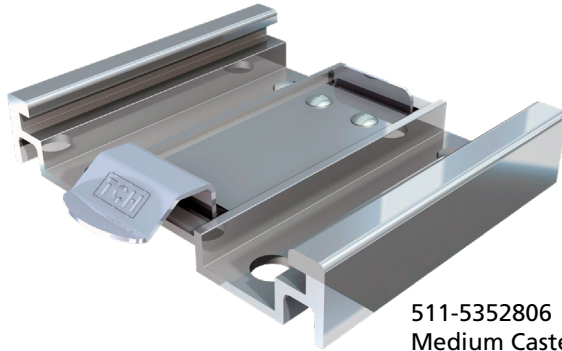


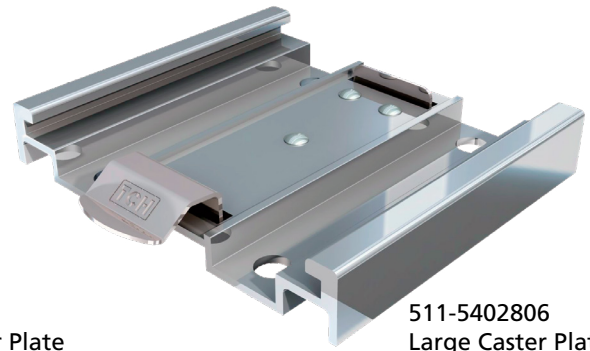
# Heavy Duty Aluminum Caster Plate

## SKU / Part Number

- 511-5402806
- 511-5352806



511-5352806  
Medium Caster Plate

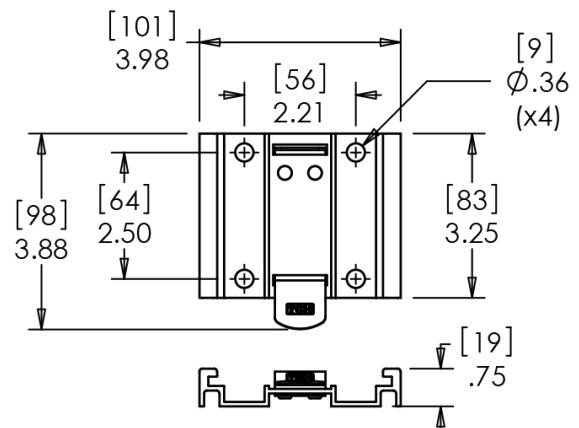
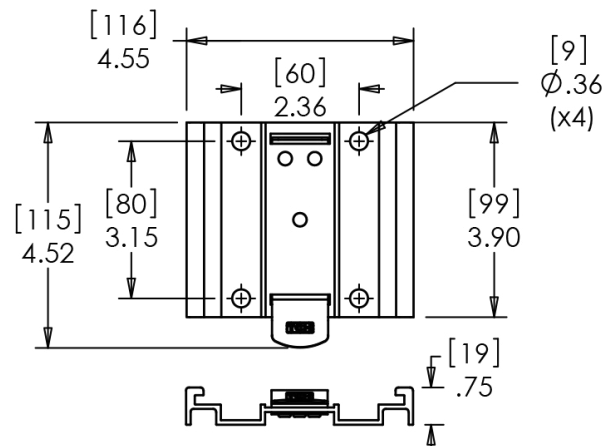


511-5402806  
Large Caster Plate

## Benefits and Features

- Light weight aluminum caster plate.
- Robust spring retainer with quick release mechanism.
- 4 mounting holes for 5/16" bolts.
- 511-5402806: for use with 3-1/8" x 4-1/8" mounting plates. Fits TCH 511-5482854, 511-5484854, 511-5492854, 511-5494854, 511-6482854, and 511-6484854 casters.
- 511-5352806: for use with 3.63" x 2.52" mounting plates. Fits TCH 511-5753854, 511-5375854, 511-5473854, 511-6372854, and 511-6392854 casters.

## Spec Drawing



## Learn More

To learn more about TCH, please contact us toll-free at 1-800-465-6281 to speak to a qualified customer service representative.

Please visit our website for a full listing of TCH products at [tchweb.com](http://tchweb.com).

BUFFALO	CALGARY	DALLAS	MONTRÉAL	TORONTO
1370 William Street Buffalo, NY U.S.A. 14206	1135-45th avenue NE Calgary, AB, Canada T2E 2P2	10552 King William Dr. Dallas, TX U.S.A. 75220	16757 Boul. Hymus Kirkland, QC Canada H9H 3L4	40 Emblem Court Toronto, ON Canada M1S 1B1