

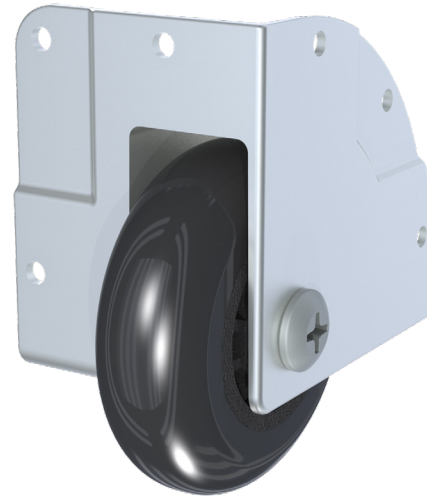
Offset Corner Mount Caster

SKU / Part Number

- 511-22931800

Benefits and Features

- Offset to fit over extrusions up to 1.375" wide.
- Heavy duty die cast zinc corner integrated with a 3" rigid caster.
- Only 9 mounting holes.
- Available in silver or black, with rugged 3" roller blade style wheel (with ball bearing) or 3" TCH gray wheel with integrated thread guards.
- Load capacity: 25kg/55lbs (roller blade wheel), 70kg/150lbs (TCH gray wheel).

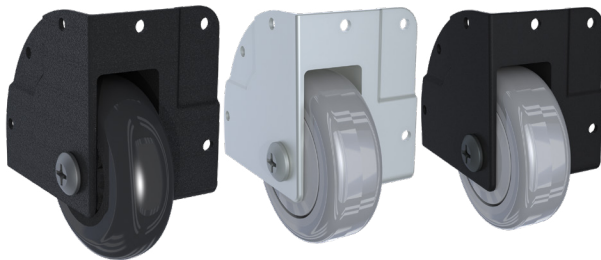


Learn More

To learn more about TCH, please contact us toll-free at 1-800-465-6281 to speak to a qualified customer service representative.

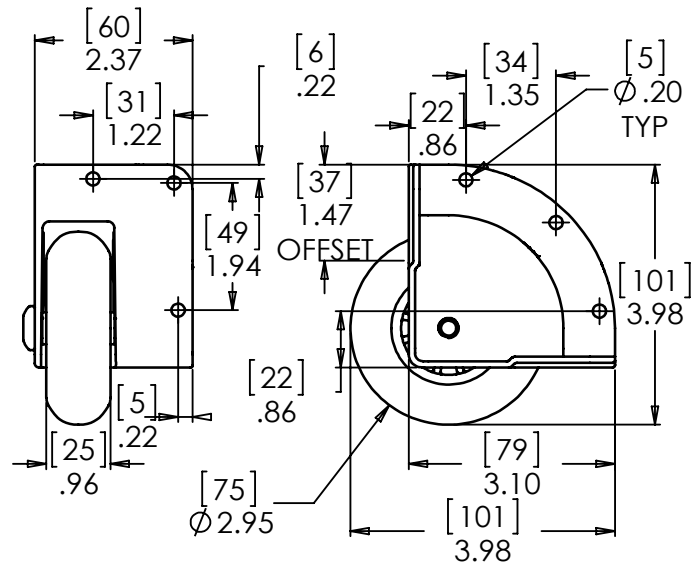
Please visit our website for a full listing of TCH products at tchweb.com.

Matching Products



511-22931854, 511-22931T800, 511-22931T854

Spec Drawing



BUFFALO	CALGARY	DALLAS	MONTRÉAL	TORONTO
1370 William Street Buffalo, NY U.S.A. 14206	1135-45th avenue NE Calgary, AB, Canada T2E 2P2	10552 King William Dr. Dallas, TX U.S.A. 75220	16757 Boul. Hymus Kirkland, QC Canada H9H 3L4	40 Emblem Court Toronto, ON Canada M1S 1B1