

Offset Edgemount Caster

SKU / Part Number

- 511-2290800

Benefits and Features

- Heavy duty die cast zinc mounting cup.
- Lighter weight than a traditional edgemount caster.
- Rugged 3" roller blade style wheel with ball bearing.
- Only 4 mounting holes for quick and easy installation.
- Load capacity: 25kg/55lbs. Higher load capacities available.
- Offset to fit over extrusions.
- Available in silver or black, with rollerblade style wheel or tente wheel.

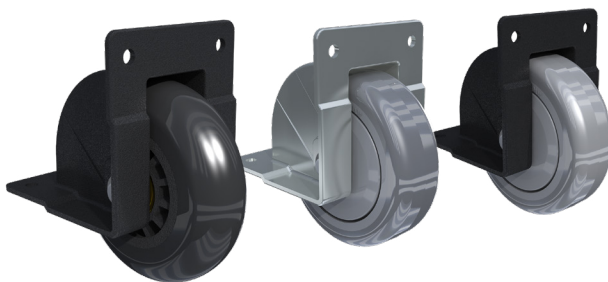


Learn More

To learn more about TCH, please contact us toll-free at 1-800-465-6281 to speak to a qualified customer service representative.

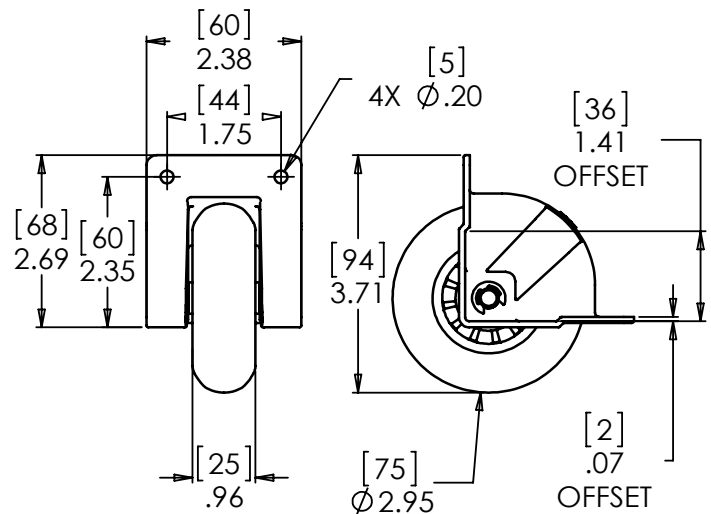
Please visit our website for a full listing of TCH products at tchweb.com.

Matching Products



511-2290854, 511-2290T800, 511-2290T854

Spec Drawing



BUFFALO	CALGARY	DALLAS	MONTRÉAL	TORONTO
1370 William Street Buffalo, NY U.S.A. 14206	1135-45th avenue NE Calgary, AB, Canada T2E 2P2	10552 King William Dr. Dallas, TX U.S.A. 75220	16757 Boul. Hymus Kirkland, QC Canada H9H 3L4	40 Emblem Court Toronto, ON Canada M1S 1B1