

3/8" Long Leg Extrusions

SKUs / Product Number

- 507-3101806
- 507-3104806
- 507-3108806

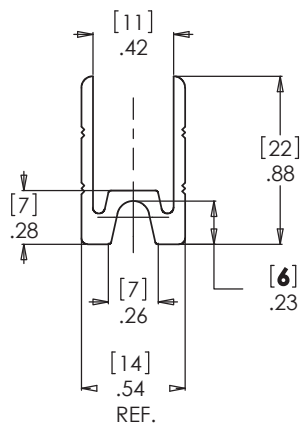
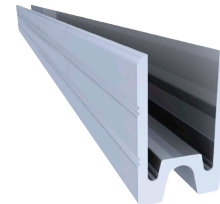
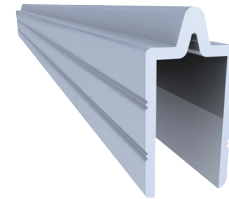
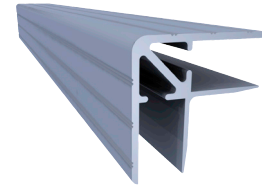
Benefits and Features

- Allowing for faster assembly times.
- Longer inside leg can now be more easily stapled.
- Can now be riveted without the use of any washers.
- For use with any 3/8" TCH laminate.
- Interchangeable with our short leg 3/8" tongue and groove extrusions.
- Can be used with TCH 3/8" Zip Clamps (504-8138800).

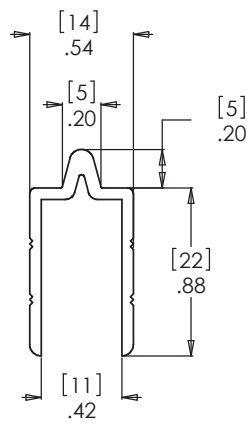
Learn More

To learn more about TCH please feel free to contact us Toll-Free at 1-800-465-6281 to speak to a qualified customer service representative.

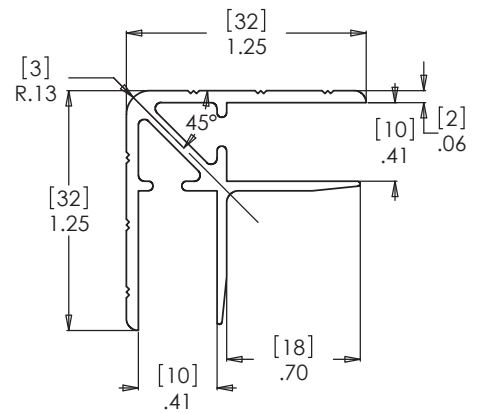
Please visit our website for a full listing of all TCH products at: www.tchweb.com



507-3104806



507-3101806



507-3108806

BUFFALO	CALGARY	DALLAS	MONTRÉAL	TORONTO
1370 William Street Buffalo, NY U.S.A. 14206	1135-45th avenue NE Calgary, AB, Canada T2E 2P2	10552 King William Dr. Dallas, TX U.S.A. 75220	16757 Boul. Hymus Kirkland, QC Canada H9H 3L4	40 Emblem Court Toronto, ON Canada M1S 1B1