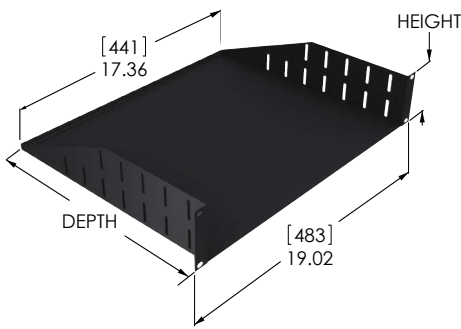
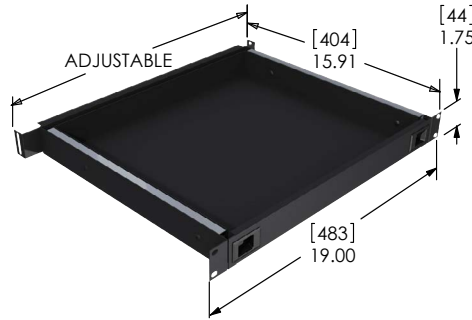


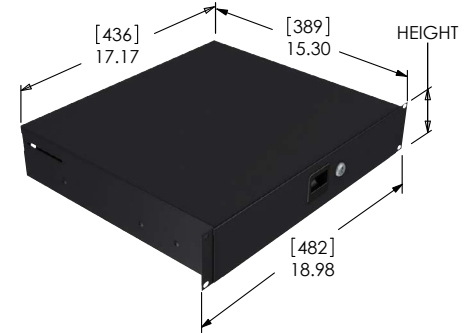
Adjustable Mounting Drawers & Shelves



506-9032900



506-9041900



506-9052900

Benefits and Features

- Drawers and sliding shelves are assembled using our own premium quality ball bearing drawer slides with release mechanism and 100 lbs. capacity
- Drawers and sliding shelves extend to a full 356mm (14") for easy access
- Made from heavy duty steel (1.5mm/16ga). Sliding drawers have a 14ga front panel.
- Durable and professional textured finish resists marks and scratches.

Sliding Drawers

- 506-9052900 - 2 rack space, 3-1/2" height
- 506-9053900 - 3 rack space, 5-1/4" height
- 506-9054900 - 4 rack space, 7" height

Fully enclosed top prevents contents from spilling out and debris from getting in. Flush mount spring loaded latch prevents unnecessary opening of the drawer. Lock and keys included.

Utility Shelves

- 506-9031900 - 1 rack space, 1-3/4" height, 14.97" depth
- 506-9032900 - 2 rack space, 3-1/2" height, 14.97" depth
- 506-9033900 - 3 rack space, 5-1/4" height, 14.97" depth
- 506-9034900 - 4 rack space, 7" height, 16" depth

Provides a quick and easy method for rack mounting equipment that cannot normally be mounted in a rack. One-piece construction for maximum strength.

Sliding Shelf / Drawer

- 506-9041900 - 1 rack space, 1-3/4" height

Sliding rear brackets provide full support even when the shelf is fully extended. Two latches prevent unnecessary extension of the drawer.

Learn More

To learn more about TCH please contact us toll-free at 1-800-465-6281 to speak to a qualified customer service representative.

Visit our website for a full listing of all TCH products at www.tchweb.com

BUFFALO	CALGARY	DALLAS	MONTRÉAL	TORONTO
1370 William Street Buffalo, NY U.S.A. 14206	1135-45th avenue NE Calgary, AB, Canada T2E 2P2	10552 King William Dr. Dallas, TX U.S.A. 75220	16757 Boul. Hymus Kirkland, QC Canada H9H 3L4	40 Emblem Court Toronto, ON Canada M1S 1B1