

Rectangular Access Door

SKU / Product Number

- 506-5001900

Benefits and Features

- Impact resistant glass filled polypropylene.
- UV resistant.
- Quick and simple installation – reducing labor costs.
- Cam action lock for a water tight seal.
- Can mount both vertically or horizontally.
- Concealed mounting holes.
- Haircell textured black finish.
- Cut out size: 8.625" tall x 12.5" wide.



Related Products



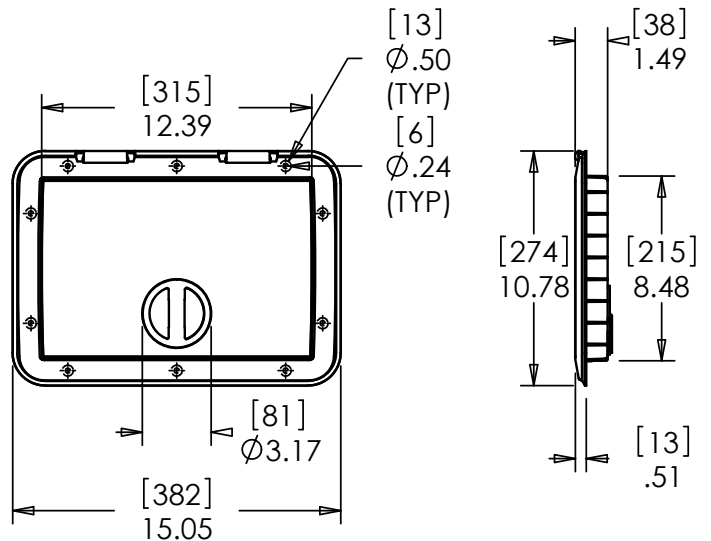
Access Port: 506-4001900

Learn More

To learn more about TCH please contact us toll-free at 1-800-465-6281 to speak to a qualified customer service representative.

Please visit our website for a full listing of all TCH products at: www.tchweb.com.

Spec Drawing



BUFFALO	CALGARY	DALLAS	MONTRÉAL	TORONTO
1370 William Street Buffalo, NY U.S.A. 14206	1135-45th avenue NE Calgary, AB, Canada T2E 2P2	10552 King William Dr. Dallas, TX U.S.A. 75220	16757 Boul. Hymus Kirkland, QC Canada H9H 3L4	40 Emblem Court Toronto, ON Canada M1S 1B1