

Light Weight Ball Corner

SKU / Part Number

- 502-1460900

Benefits and Features

- 60% less weight of a comparable steel corner.
- Built in rubber foot that is replaceable as needed.
- Made of engineered light weight plastic.
- Offset to fit over extrusions.
- Complements TCH composite panels, light weight handle 500-101900 and light weight latch 501-5711900.



Related Products



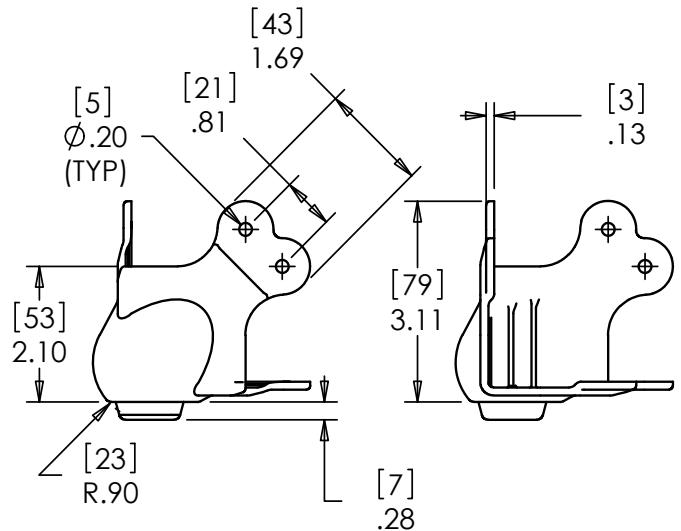
Latch: 501-5711900 | Handle: 500-101900

Learn More

To learn more about TCH, please contact us toll-free at 1-800-465-6281 to speak to a qualified customer service representative.

Please visit our website for a full listing of TCH products at tchweb.com.

Spec Drawing



BUFFALO	CALGARY	DALLAS	MONTRÉAL	TORONTO
1370 William Street Buffalo, NY U.S.A. 14206	1135-45th avenue NE Calgary, AB, Canada T2E 2P2	10552 King William Dr. Dallas, TX U.S.A. 75220	16757 Boul. Hymus Kirkland, QC Canada H9H 3L4	40 Emblem Court Toronto, ON Canada M1S 1B1