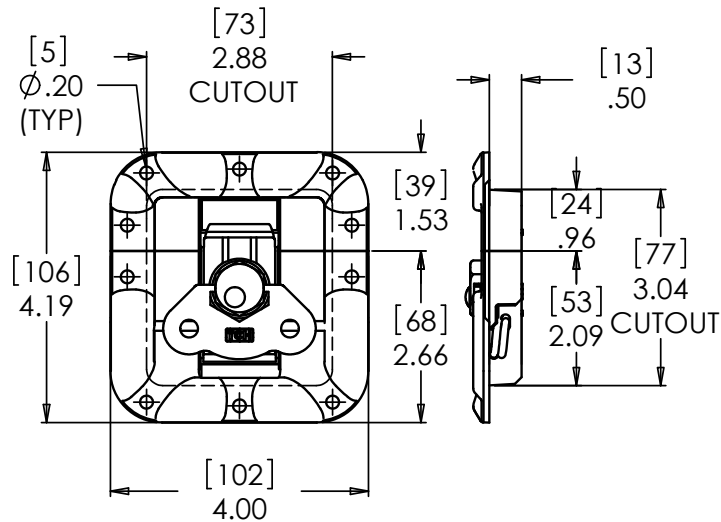


Light Weight Recessed Latch



SKU / Product Number

- 501-5711900

Benefits and Features

- 50% less weight of a comparable steel latch.
- Latch and rivets are protected by dish profile.
- Improved butterfly wing for easy access.
- Latch is stacked to prevent pop-out.
- Complements TCH composite panels, lightweight handle 500-101900 and plastic ball corner 502-1460900.

Related Products



Handle: 500-101900 | Ball Corner: 502-1460900

Learn More

To learn more about TCH please feel free to contact us Toll-Free at 1-800-465-6281 to speak to a qualified customer service representative.

Please visit our website for a full listing of all TCH products at: www.tchweb.com

BUFFALO	CALGARY	DALLAS	MONTRÉAL	TORONTO
1370 William Street Buffalo, NY U.S.A. 14206	1135-45th avenue NE Calgary, AB, Canada T2E 2P2	10552 King William Dr. Dallas, TX U.S.A. 75220	16757 Boul. Hymus Kirkland, QC Canada H9H 3L4	40 Emblem Court Toronto, ON Canada M1S 1B1