

Recessed Folding T-Handle

SKUs & T-Handle Options

- 500-51221805: with holes
- 500-51121805: with holes and dust cover
- 500-51211805: with 1/4-20 threaded studs
- 500-51111805: with 1/4-20 threaded studs and dust cover

Benefits and Features

- Recessed folding t-handles are primarily used on compartment or cabinet doors, including: storage boxes, service and utility truck bodies, fire and rescue vehicles, and toolboxes.
- Handle are supplied with a rubber gasket and 2 keys.
- All exposed components are stainless steel.
- The pawl depth is adjustable between 1-5/16" to 1-3/4", and has mounting holes for 2 and 3 point applications.
- For custom keys please contact TCH customer service.

Learn More

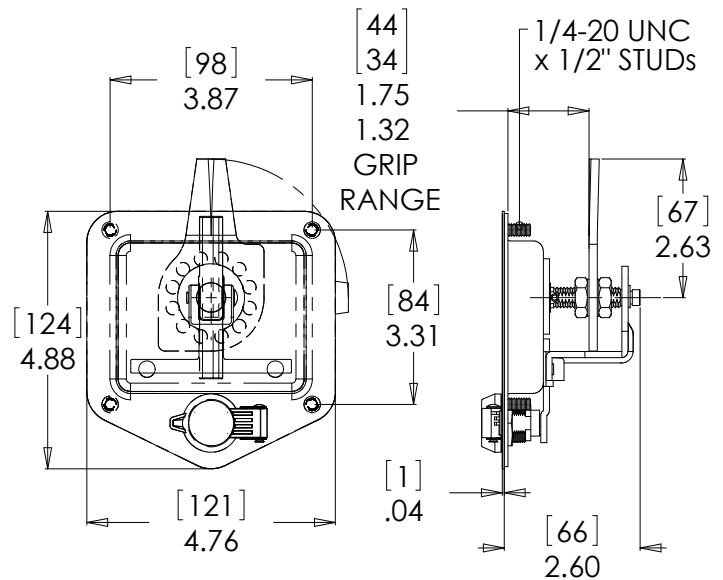
To learn more about TCH please contact us toll-free at 1-800-465-6281 to speak to a qualified customer service representative.

Visit our website for a full listing of all TCH products at: tchweb.com.

Please note: some of the products shown may be available by special order only.



Spec Drawing



500-51221805



500-51211805



500-51121805

BUFFALO	CALGARY	DALLAS	MONTRÉAL	TORONTO
1370 William Street Buffalo, NY U.S.A. 14206	1135-45th avenue NE Calgary, AB, Canada T2E 2P2	10552 King William Dr. Dallas, TX U.S.A. 75220	16757 Boul. Hymus Kirkland, QC Canada H9H 3L4	40 Emblem Court Toronto, ON Canada M1S 1B1