

User's Manual

MINIMAL AB BOX



Thank you for your purchase of the MINIMAL AB BOX by One Control.

Use the Minimal AB Box to control the direction of your signal path in order to select amps, mute your signal, control what effects you'd like to use, and various other uses.

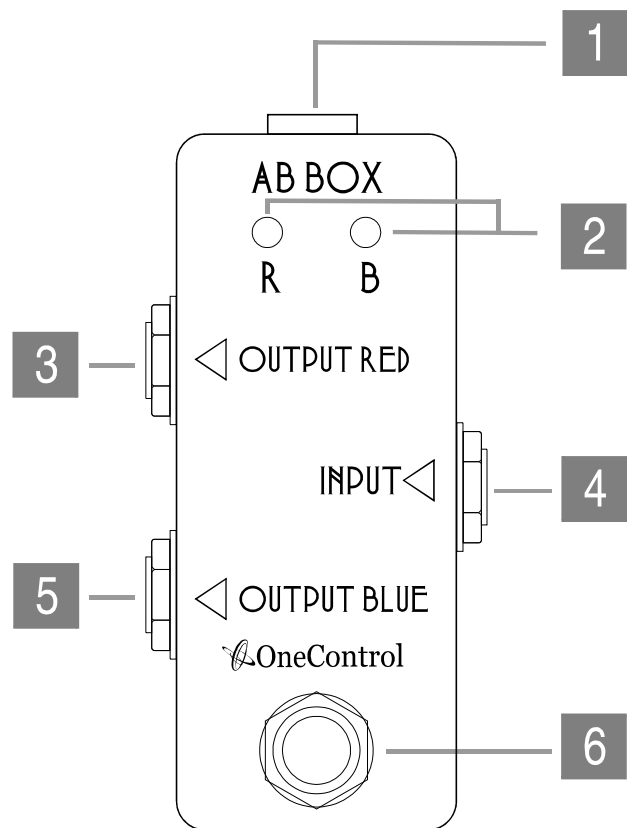
The AB Box has one input and two outputs. Plug your guitar into the input and then run out from the A and B outputs to your desired destination.

Use the Minimal AB Box as a Mute/Tuner switch. Connect your tuner to one of the two outputs and you'll take your tuner out of your signal chain when you are playing. Even without a tuner connected to the AB Box it can act as a basic mute switch.

The AB Box can also be used as an input selector. For example if you regularly switch guitars while playing live, plug two guitars into the two outputs and run from the input to your amp. That being said the inputs and outputs can be used in both directions.

When the switch is pressed in the outputs will be toggled and also the red and blue LEDs will indicate which output is currently being used. The Minimal AB Box can also be used without a power supply however; the LEDs will not be active.

- 1** 9VDC INPUT:
Typical 9V center negative power supplies can be used.
- 2** LED:
Red indicates when Channel Red is engaged, Blue LED indicates when Channel Blue is engaged.
- 3** OUTPUT CHANNEL RED:
Send signal to amp/tuner or loop.
- 4** INPUT JACK:
Plug in your instrument here using a typical instrument cable
- 5** OUTPUT CHANNEL BLUE:
Send signal to amp/tuner or loop.
- 6** FOOT SWITCH:
True Bypass 3PDT,
Toggles Between Channel Red and Blue.



Specifications

INPUT: 9 Volt center negative 1mA
 DIMENSIONS: 54(W)x101(D)x48(H) mm (Jacks included)
 WEIGHT: 125g 4.48oz.

Warranty

Repairs or exchanges under warranty are subject to these warranty guidelines:

This product is covered under our warranty for the period of 1 year from date of purchase, as filled out on the warranty card. In the case the product needs to be shipped, the cost of shipping will be paid by the buyer.

The Following are not covered by this warranty:

Fire, earthquake, natural disasters such as flooding, material breakage, or war. Warranty is void if there is any trace of repair or modification that is not performed or authorized by LEP International.

One Control by LEP International Co, LTD.

9-16 Suehiro Hanamaki
 Iwate 025-0079, Japan
 Phone: 0198-23-6600 Fax: 0198-29-4244
 support@one-control.com
 www.one-control.com