

devoted to **PERFECT** grinding

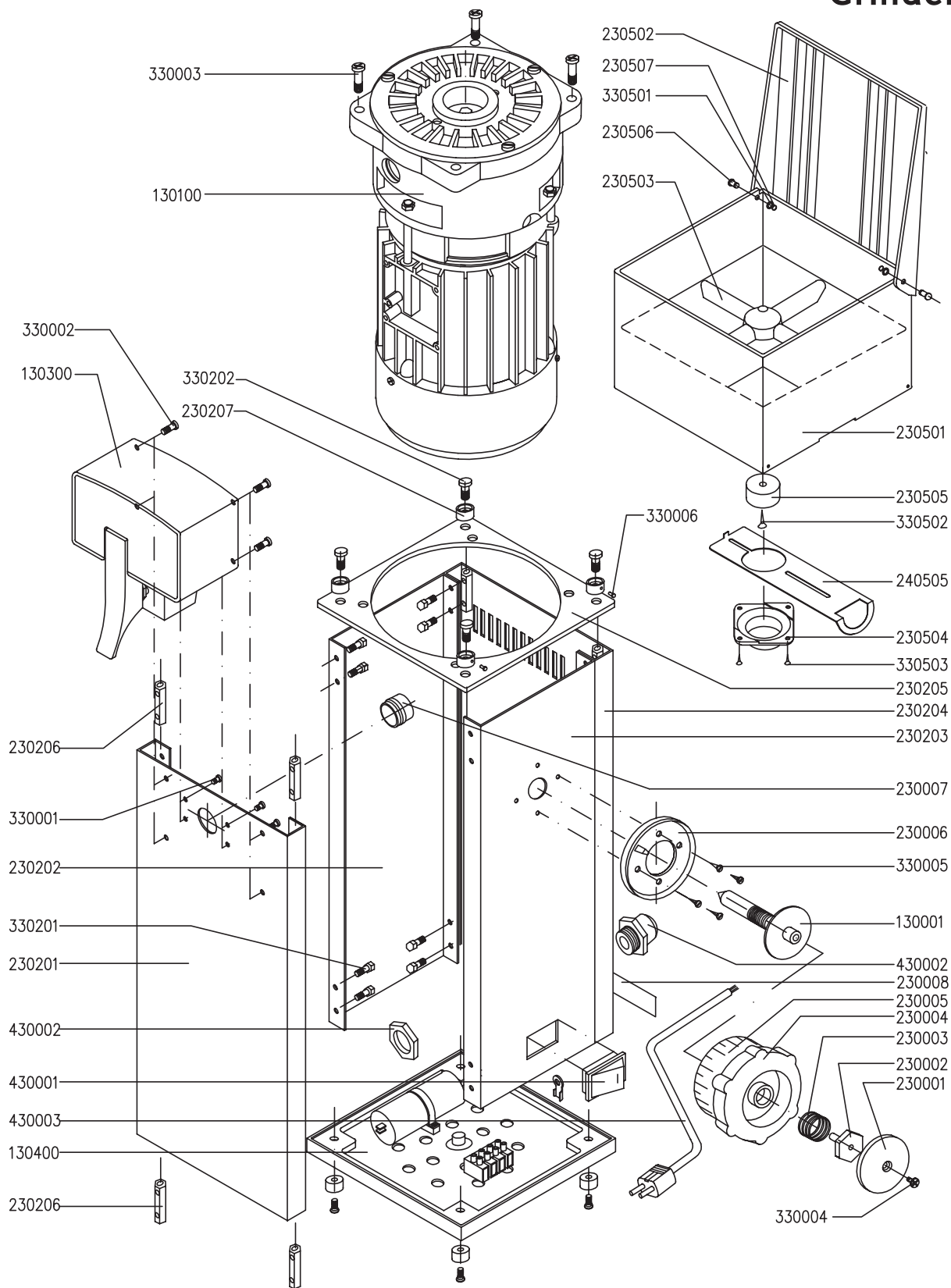


DIP.[®]
GRINDERS

DK-30

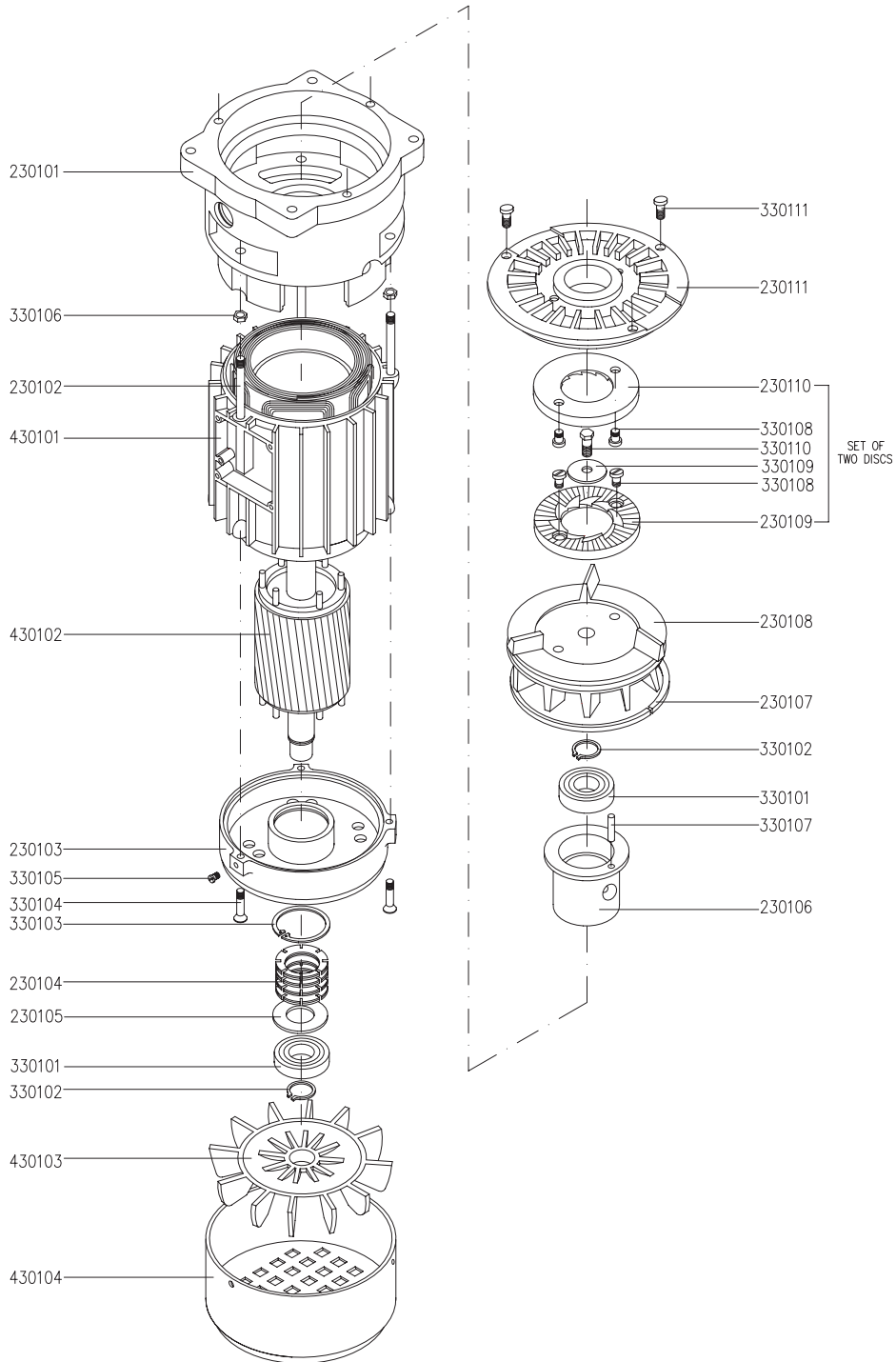
KINEMATIC SCHEME

Grinder



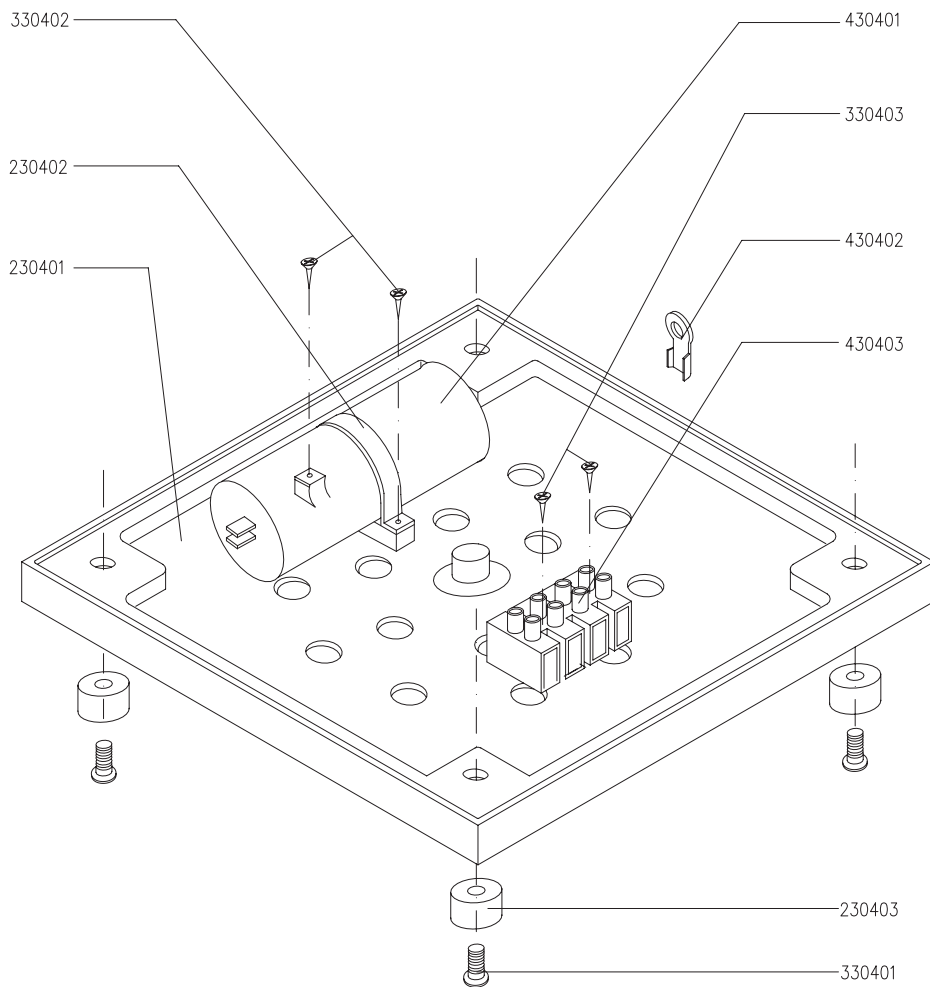
COFFEE GRINDER	130000
-----------------------	---------------

Grinding mechanism



GRINDING MECHANISM	130100
---------------------------	---------------

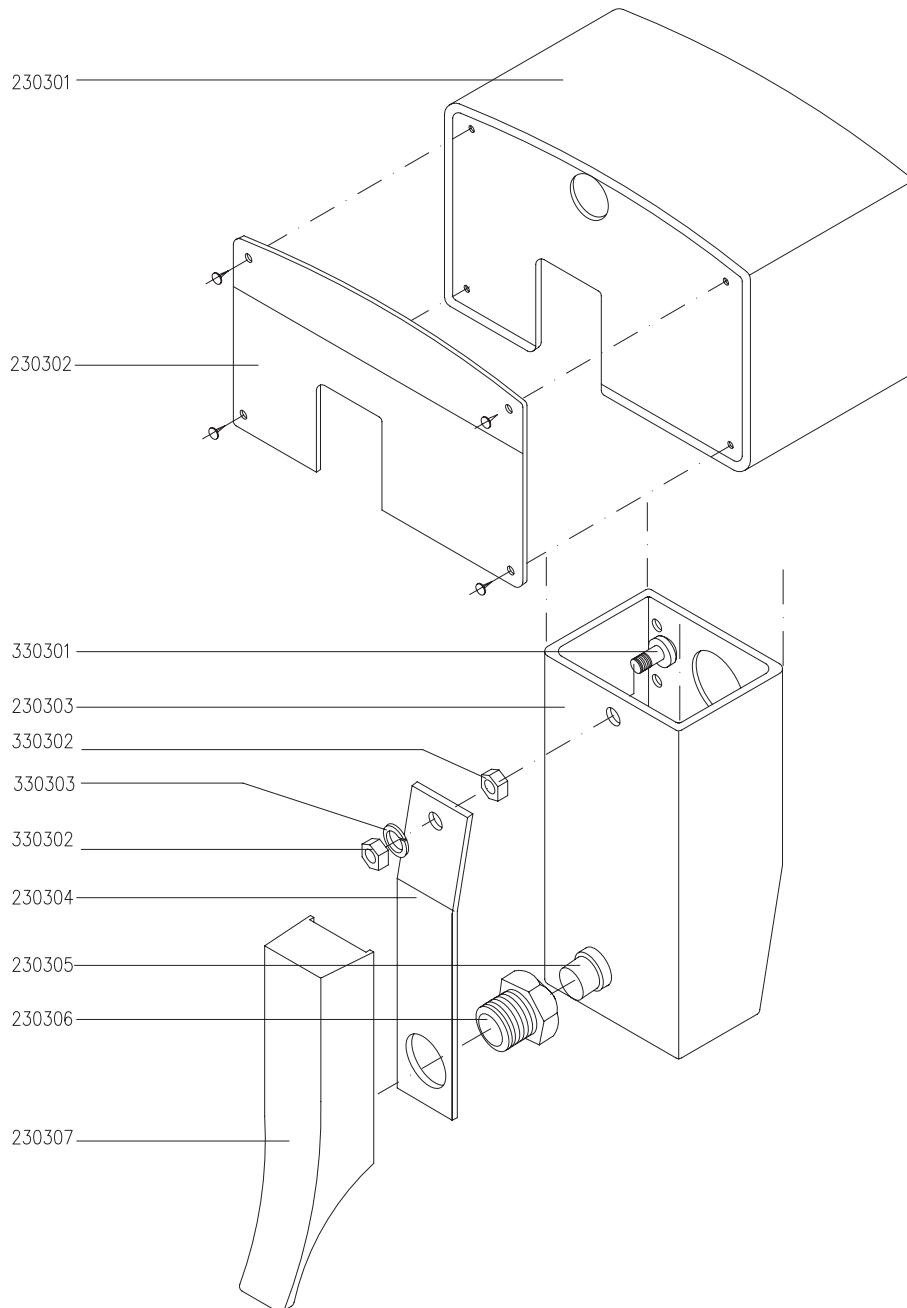
Bottom plate



BOTTOM PLATE

130400

Frontal panel



FRONTAL PANEL	110300
----------------------	---------------

devoted to **PERFECT** grinding



DIP.[®]
G R I N D E R S

HEAD OFFICE:

287 Theodor Pallady Bd. 032258 Bucharest, Romania
Phone: +40 21 345 11 06 • Fax: +40 21 345 11 07
www.dipgrinders.ro • office@dipgrinders.ro