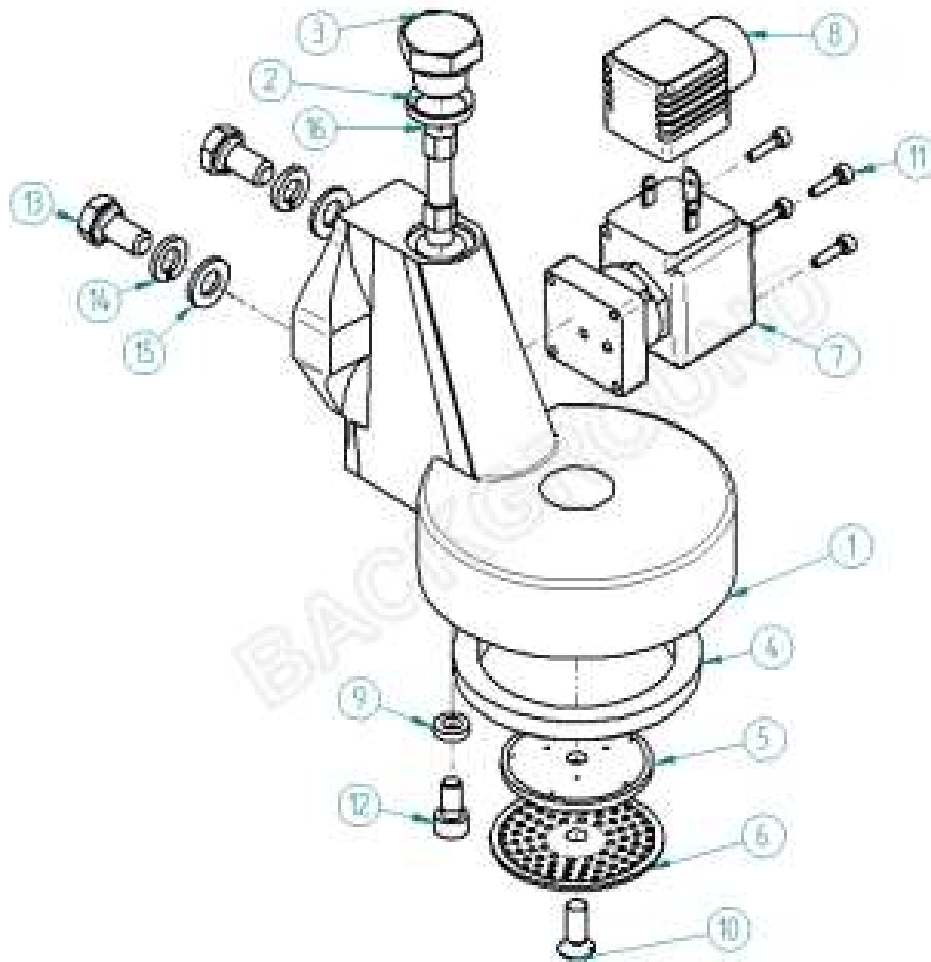


HORIZONT – Tall Cups



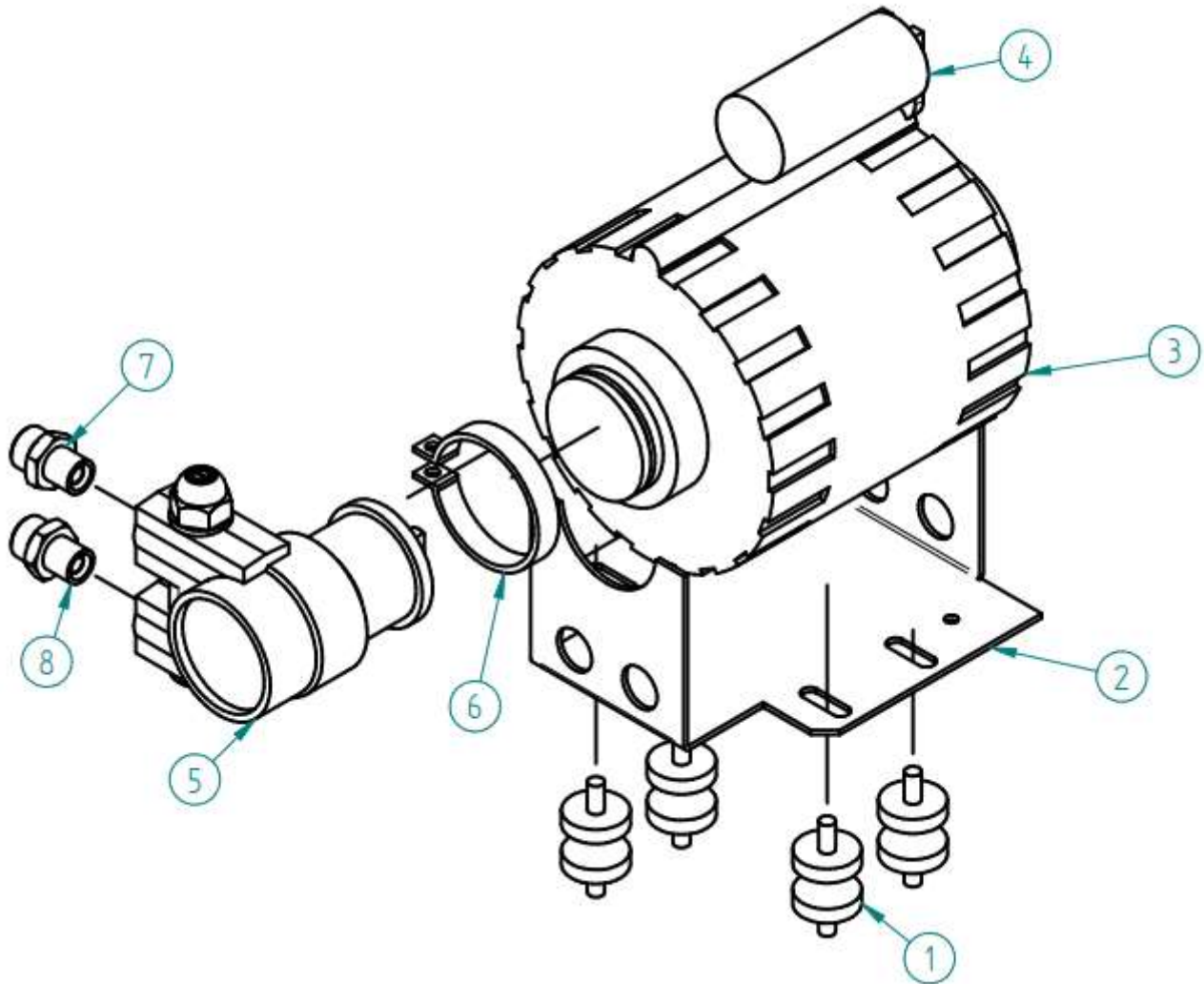
Model	Groups	Width (mm)	Depth (mm)	Height (mm)	Weight (Kg)	Boiler (lts)	Heating Element	Steamer	Hot Water
Water Tank (6 keyboard)	2	565	500	510	41	7,5	2600 W	2	1 (automatic)
Digital 5 keyboard	2	675	500	510	46	10	2600 W	1	1 (manual)

Coffee Group (Right or Left)



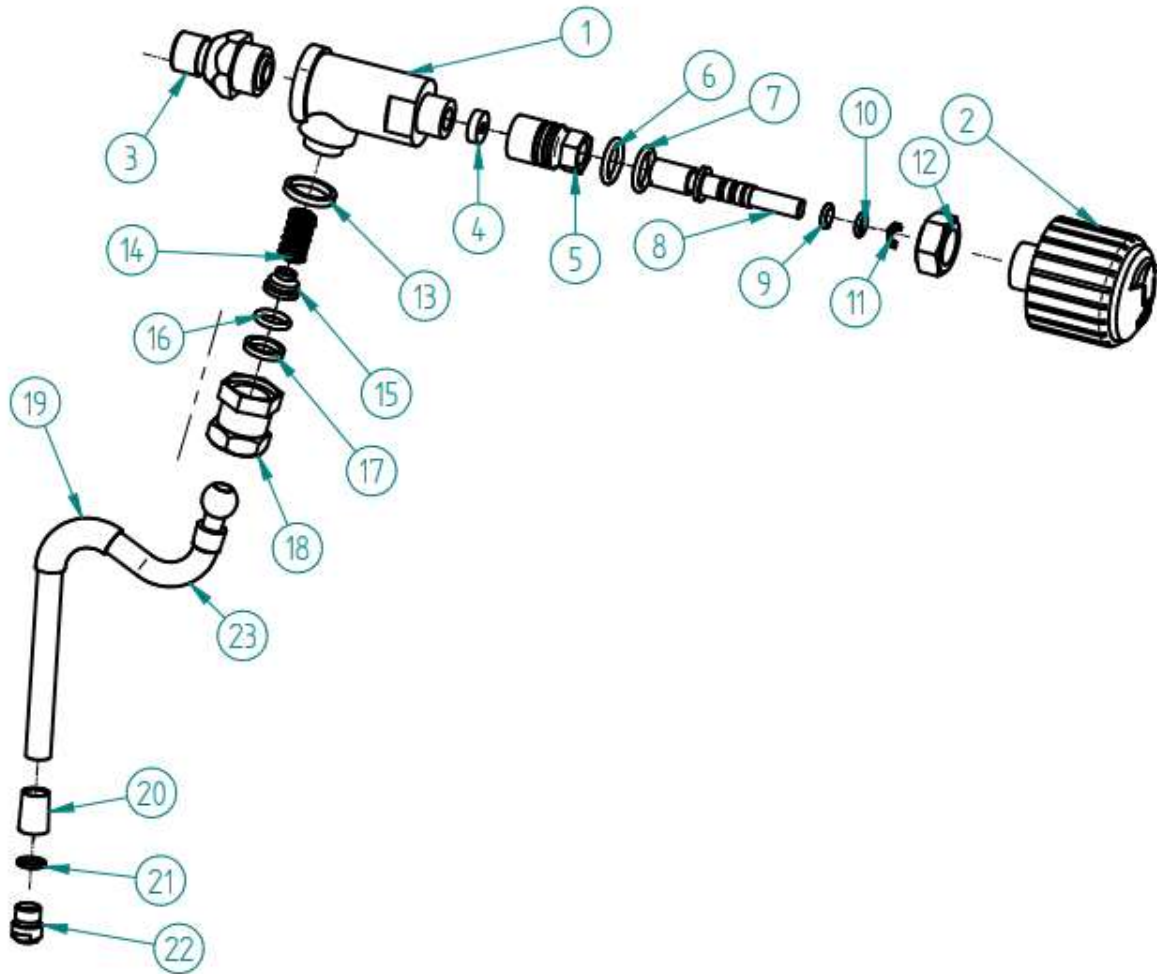
Item N. °	Code	Description
1	080100035 080100036	Right: Coffee Group left: Coffee Group
2	080200014	Teflon Washer 3/8
3	080200050	Cromed Fitting
4	080100016	Porta Filter Washer
5	080200001	Shower Holder Diffuser
6	080100015	Shower
7	080100108	Solenoid Valve
8	040300008	Solenoid Valve Connector
9	080200017	Teflon Washer 6X10
10	070100015	Screw Stainless 6x16
11	070100029	Unbrake Screw Stainless 4X12
12	070100030	Unbrake Screw 6x12
13	070100028	Screw Zinced 8X16
14	070200016	Spring Zinced Washer M8
15	070200005	Washer Zinced 8 mm
16	080200036	Flow Reducer

Rotary Pump and Engine



Item N. °	Code	Description
1	080100006	Motor Support
2+3+4	040300016	Support + Motor + Capacitor
5 + 6	080100088	Rotary Pump + Connection Pump Motor
7	080200079	Fitting 3/8 x 3/8 With Net
8	080200053	Fitting 3/8 x 1/4

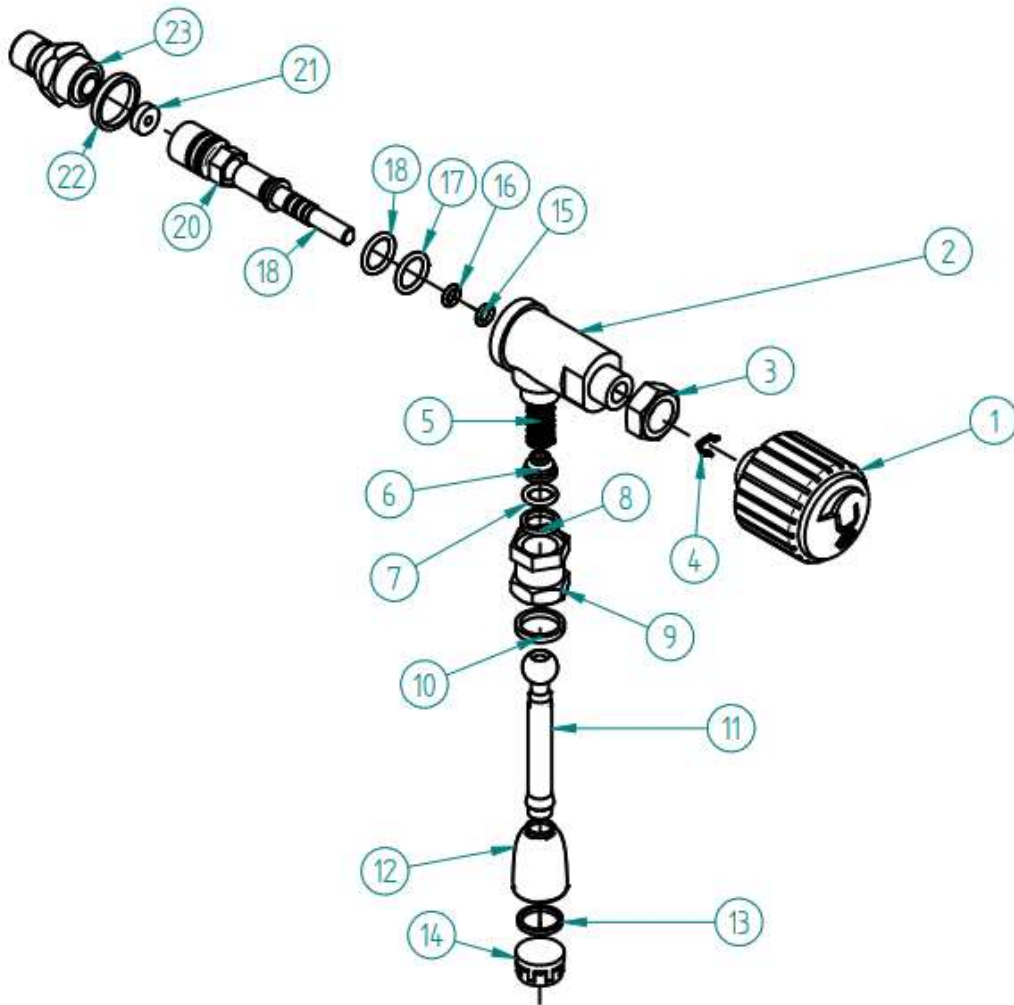
Steam Tap



Item N. °	Code	Description
1	080200010	Water/Steam Body Tap
2	080400019	Steam Tap Knob Blue
3	080200065	Fitting Elite/Horizont 3/8 x 1/2
4	080100019	Silicon Sealing O'ring 4 x12 x4
5	080200005	Water / Steam Tap Piston
6/7	080100018	Tap Piston O'ring
8	080200003	Steam Tap Spindle
9/10	080100017	Tap Spindle O'ring
11	080100020	Seeger Ring
12	080200066	Fitting 3/8
13	080200014	Teflon Washer 3/8
14	080100025	Tap Spring
15	080200045	Spring Guide
16	080100024	Water/ Steam Pipe O'ring
17	080100014	Teflon Washer 3/8
18	080200030	Water/Steam Pipe Nut
19		
20	080200040	Sleeve Steam Pipe
21	080100013	O'ring Steam Pipe
22	080200039	Steam Pipe Nozzle
23	080400073	Steam Pipe

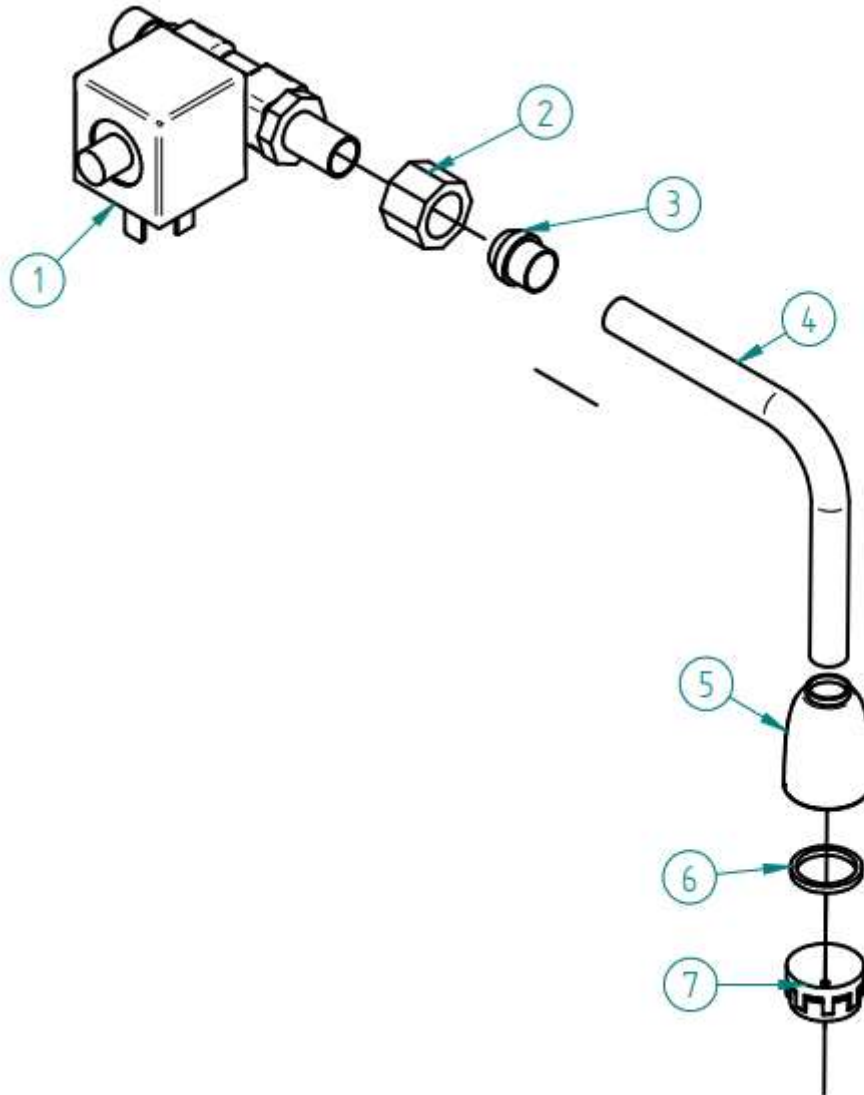
Hot Water Tap

(5 keyboard)



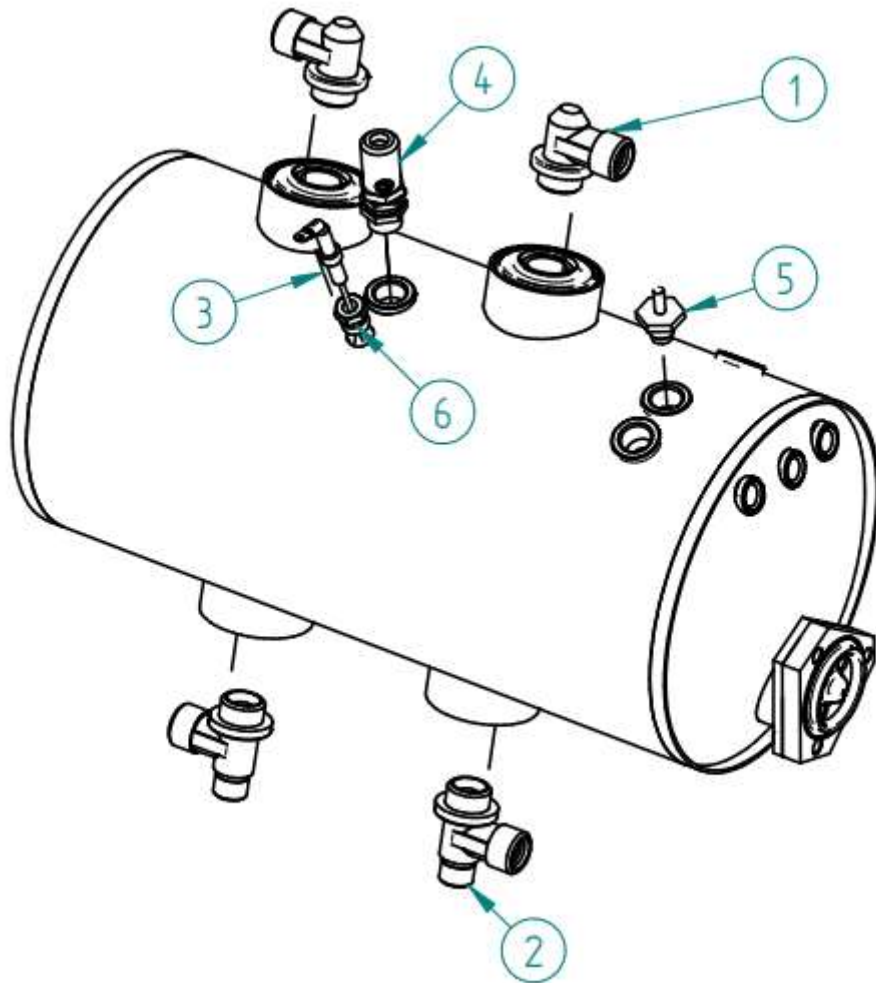
Item N. °	Code	Description
1	080400020	Water Tap Knob
2	080200010	Water/Steam Body Tap
3	080200066	Fitting 3/8
4	080100020	Seeger Ring
5	080100025	Tap Spring
6	080200045	Spring Guide
7	080100024	Water/ Steam Pipe O'ring 100x25
8	080200153	Water/Steam Pipe O'ring 12x3
9	080200030	Water/Steam Pipe Nut
10	080200014	Teflon Washer 3/8
11	080100139	Water Pipe
12+13+14	080200102	Water Pipe Nozzle
15/16	080100017	Tap Spindle O'ring
17/18	080100018	Tap Piston O'ring
19	080200003	Steam Tap Spindle
20	080200005	Water / Steam Tap Piston
21	080100019	Silicon Sealing O'ring 4 x12 x4
22	080200014	Teflon Washer 3/8
23	080200065	Fitting Elite/Horizont 3/8 x 1/2

Automatic Hot Water (6 keyboard)



Item N. °	Code	Description
1	080100142	Viton 2 Way Solenoid Valve
2+3+4	-	Automatic Water Pipe
5+6+7	080200102	Water Pipe Nozzle

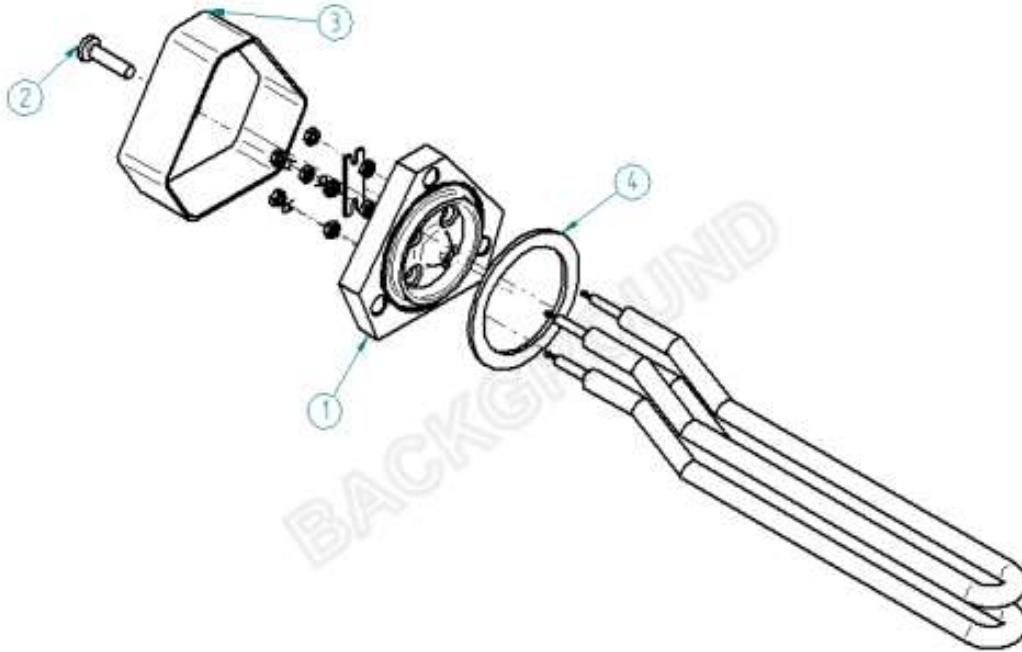
Boiler 7,5 lts / 10 lts



Item N. °	Code	Description
1	050300030	Boiler Superior Fitting
2	050300019	Boiler Inferior Fitting
3	050400002	Level Probe
4	050400001	Boiler Safety Valve
5	080100106	Anti-vacuum valve
6	050300032	Connection 1/4 level Probe

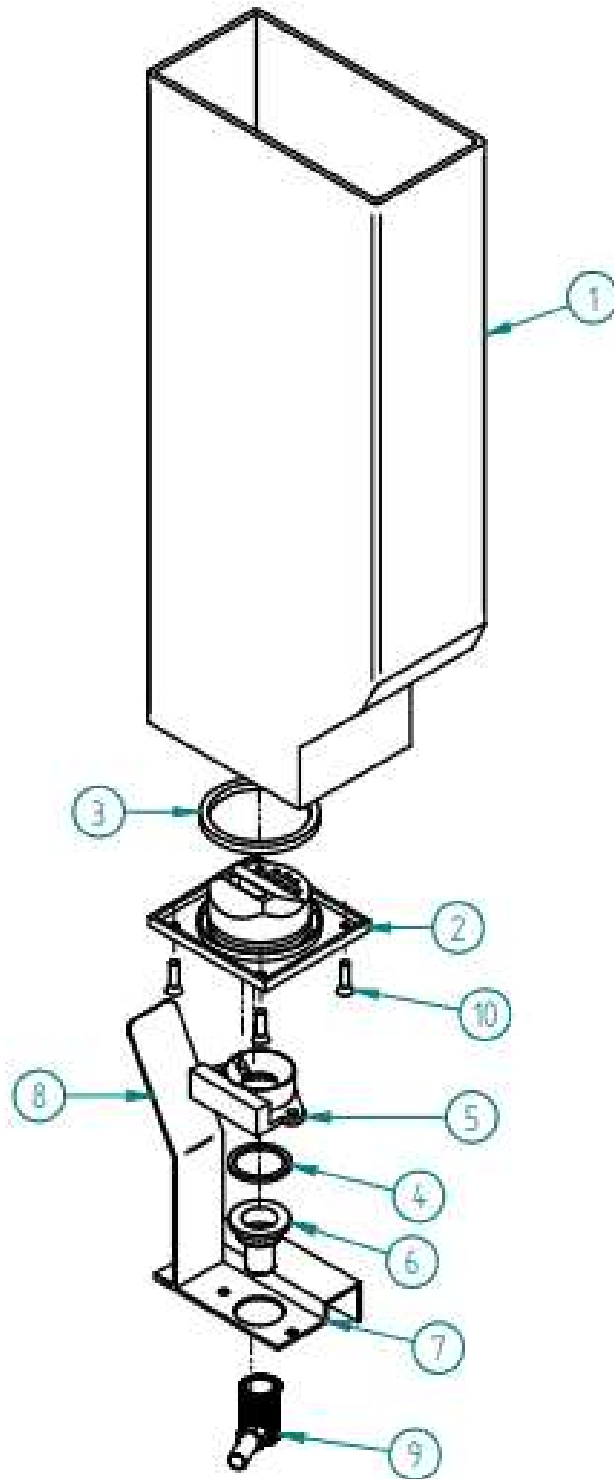
Heating Element 230V

2.200W or 2.600W



Item N. °	Code	Description
N/A	080400027	Heating Element 230V / 2.600W - Kit
1	-	Heating Elemente Fitting
2	-	Screw Zinced 5X20
3	-	Heating Element Protection
4	-	Heating Element Washer

Water Tank and Tap Connection



Item N. °	Code	Description
1 + 2 + 3 + 10	080100123	Water Tank
4	080100165	Silicone O'Ring for Water Tank
4+5+6	-	Water Tank Holder W./Magnetic Sensor (REED)
7+8	060100412 060100411	Tank Fixing Bracket
9	080100171	L90° Fitting Water Tank

**Technical Sheet Model
230V**

<p>Structure:</p> <ul style="list-style-type: none"> ▪ Dimensions (mm) ▪ Weight (kg) ▪ Internal ▪ External 	<ul style="list-style-type: none"> ▪ 565mm to 675 Width ▪ 500mm Depth ▪ 510mm Height ▪ 41 to 46 Kg ▪ Stainless ▪ Stainless and
<p>Electrical Characteristics:</p> <ul style="list-style-type: none"> ▪ Watts (W) ▪ Intensity (A) ▪ Power Connection ▪ Plug connection 	<ul style="list-style-type: none"> ▪ 3.250 to 2.400W ▪ 16A ▪ 230V ▪ European Plug /None
<p>Hydro Characteristics:</p> <ul style="list-style-type: none"> ▪ Boiler Capacity (lts) ▪ Boiler Material ▪ Hydro Connection ▪ Type Inlet Connection 	<ul style="list-style-type: none"> ▪ 7.5 or 10 lts ▪ Cuper ▪ Water Tank or Intel ▪ 3/8`` Intel Connection
<p>Other Characteristics</p> <ul style="list-style-type: none"> ▪ Groups ▪ Steamers 	<ul style="list-style-type: none"> ▪ 2 Groups ▪ 2