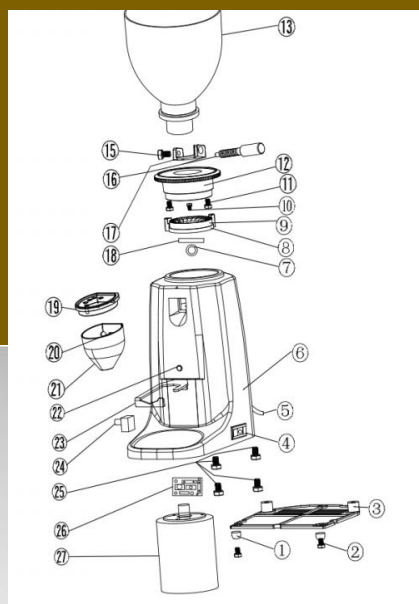




Ersatzteilkatalog/Spare parts Piccola

Preise zzgl. MwSt/All prices plus VAT
03/2021



Zeichnung 1: Piccola

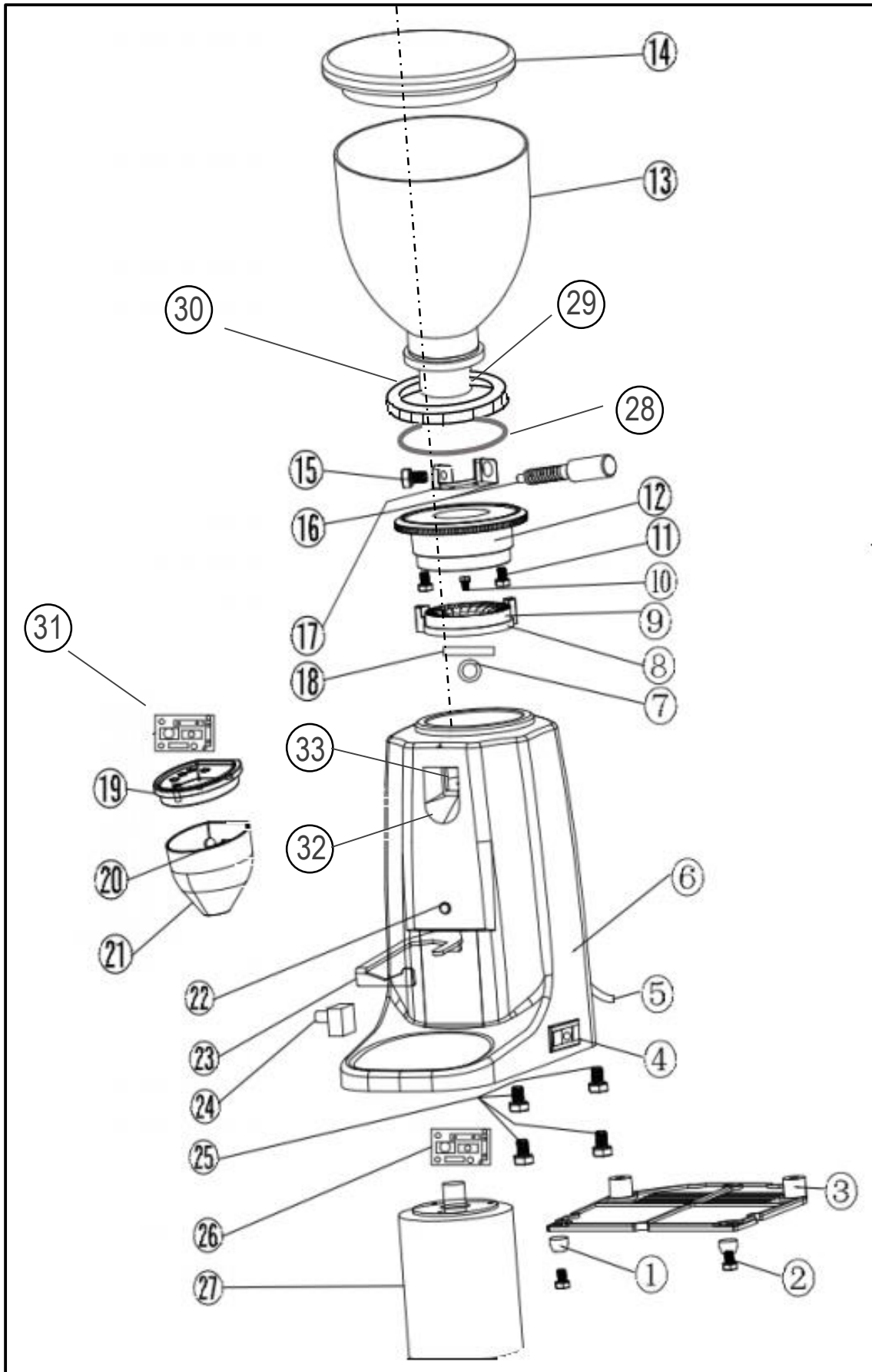


Tabelle 1 Piccola

| Pos | Artikelnr./ item no. | Bezeichnung | Description | Einheit/ unit |
|-----|-------------------------|----------------------|--------------------------|------------------|
| 1 | PI.005.003 | Gehäusefuss | Foot Pad | |
| 2 | PI.005.004 | Schraube für Fuss M5 | Baseplate Screw M5 | |
| 3 | PI.005.002 | Grundplatte | Baseplate | |
| 4 | PI.005.004 | Schalter | Power Switch | |
| 5 | PI.005.005 | Netzkabel | Power line | |
| 6 | PI.005.001 | Gehäuse | Base | |
| 7 | PI.005.006 | Dichtung/Lager?? | Bearing | |
| 8 | PI.005.007 | Pulver Sieb | Powder Pusher | |
| 9 | PI.008.001 | Mahlscheibe | Grinding disk | |
| 10 | PI.005.008 | Schraube M6 | Screw Powder Pus | |
| 11 | PI.005.010 | Schraube M4 | Screw M4 | |
| 12 | PI.005.011 | Verstellung | Scale Adjuster | |
| 13 | PI.005.012 | Bohnenbehälter | Funnel | |
| 14 | PI.005.013 | Deckel | Funnel Cap | |
| 15 | PI.005.014 | Schraube M4 | Screw M4 | |
| 16 | PI.005.015 | Einstellschraube | Scale adjuster | |
| 17 | PI.005.016 | Halter | Scale adjjutment locator | |
| 18 | PI.005.017 | Stift | Safety Pin | |
| 19 | PI.005.018 | Display Steuerung | Control Panel | |
| 20 | PI.005.019 | Schraube | Screw | |
| 21 | PI.005.020 | Pulver-Trichter | Powder Ontlet | |
| 22 | PI.005.021 | Schalter | Microswitch | |
| 23 | PI.005.022 | Siebträger-Halter | Handle Holder | |
| 24 | PI.005.023 | Sicherung | Overload Protector | |
| 25 | PI.005.024 | Gehäuseschraube M8 | Screw M8 | |
| 26 | PI.990.001 | Platine | Main Board | |
| 27 | PI.009.001 | Motor | Motor | |
| 28 | PI.005.025 | Dichtung | Sealing | |
| 29 | PI.005.026 | Fixierungsring | Ring | |
| 30 | PI.005.027 | Aufnahme | Funnel Holder | |
| 31 | PI.990.002 | Display-Platine | Control Board | |
| 32 | PI.005.028 | Pulverkanal-Einsatz | Powder Chanal | |
| 33 | PI.005.029 | Antistatik-Dichtung | Antistatik Sealing | |