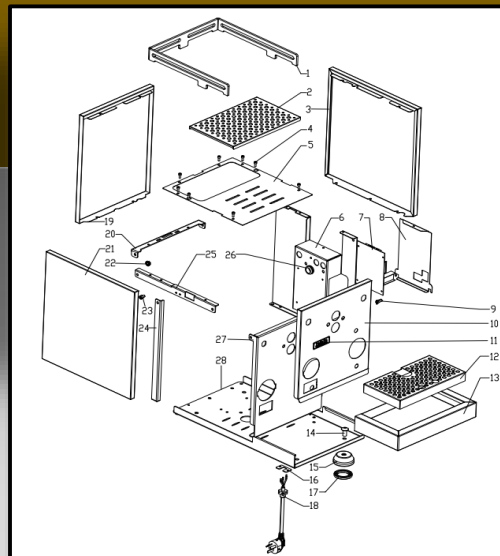
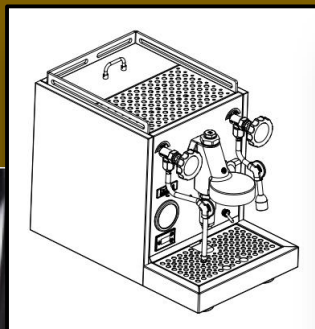




Ersatzteilkatalog/Spare parts

Inizio V/R/Leva

Alle Preis zzgl. MwSt/All prices plus VAT
03/2021



Zeichnung 1: Gehäuse

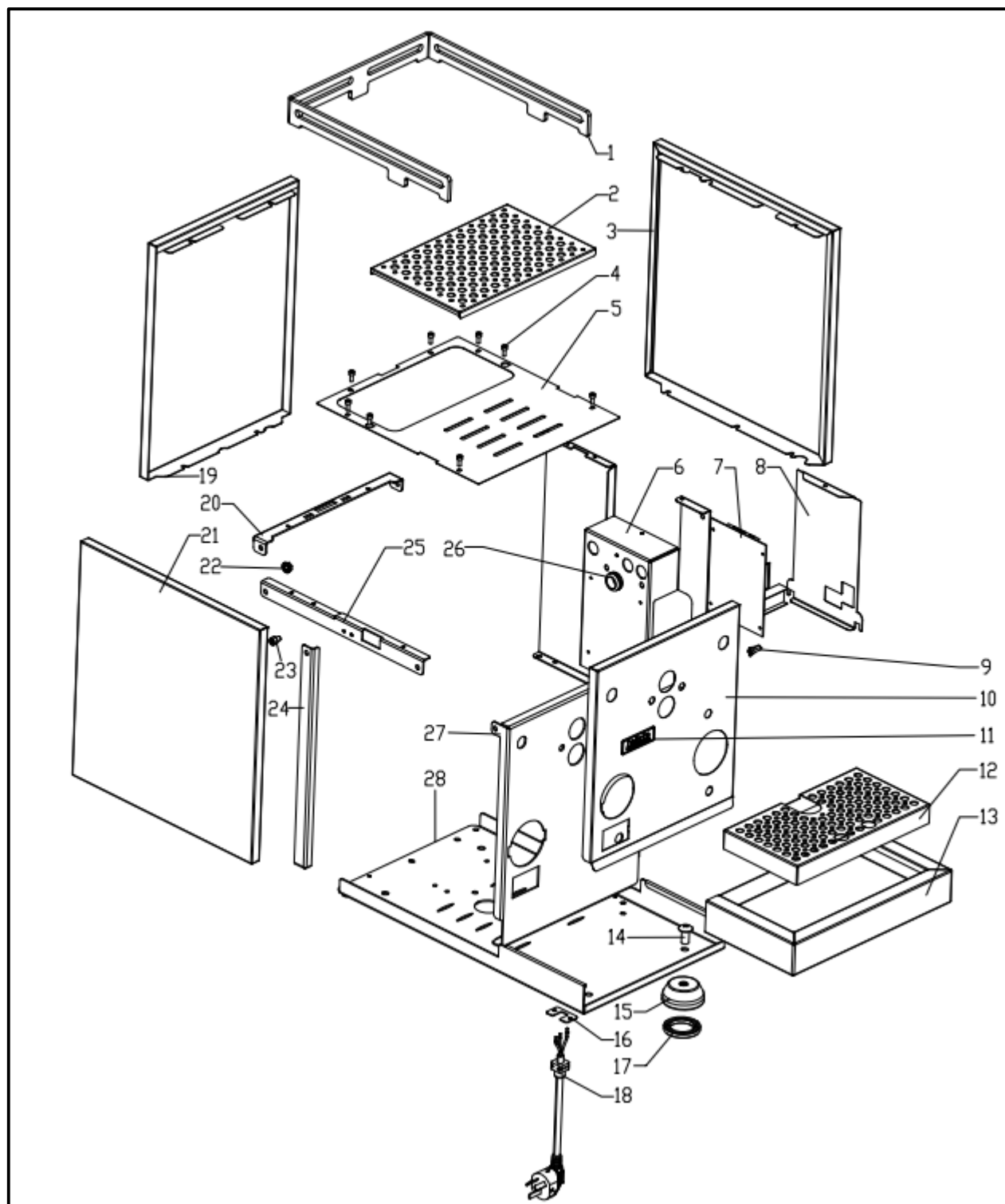


Tabelle 1 Gehäuse Inizio

Pos.	Artikelnr./item no.	Bezeichnung	Description	Einheit /unit
1	IN.005.011	Reling	Railing	Stck
2	IN.005.022	Tassenablage	Cup warming plate	Stck
3	IN.005.010	Seitenteil rechts	Right sidepanel	Stck
4	IN.005.030	Schraube oberes Abdeckblech	Screw top cover	Stck
5	IN.005.015	Oberes Abdeckblech	Top cover	Stck
6	IN.005.002	Gehäuse innen rechts (Platine)	Support 1 PCB	Stck
7	IN.005.016	Platine	Power board	Stck
8	IN.005.017	Deckel Gehäuse Platine	PCB cover	Stck
9	IN.005.031	Imbusschraube	PCB fixing column / Allen screw?	Stck
10	IN.005.007	Vorderpanel	Front panel	Stck
11	IN.005.018	Bellezza Logo	Bellezza logo	Stck
12	IN.005.020	Wasserauffangschale Innengitter	Grid drip tray	Stck
13	IN.005.021	Wasserauffangschale	Drip tray	Stck
14	IN.005.032	Schraube Fuß	Screw foot	Stck
15	IN.005.512	Fuß hoch	Foot	Stck
16	IN.005.019	Netzteilklammer	Power cord bracket	Stck
17	IN.005.013	Anti-rutsch Gummi Fuß	Foot rubber	Stck
18	IN.005.025	Netzkabel	Power cord	Stck
19	IN.005.008	Rückpanel	Back panel	Stck
20	IN.005.006	Gehäusestange (hinten/horizontal)	Support 5 (horizontal)	Stck
21	IN.005.009	Seitenteil links	Left Sidepanel	Stck
22	IN.005.027	Mutter M6	Nut Support 5	Stck
23	IN.005.028	Schraube Inbus M6	Screw support 3	Stck
24	IN.005.004	Gehäusestange 3 (hinten/vertikal)	Support 3 (vertikal)	Stck
25	IN.005.005	Gehäusestange 4 (seitlich/horizontal)	Support 4 (horizontal)	Stck
26	IN.005.033	Schutzgummi	Protective Coil	Stck
27	IN.005.034	Frontseite innen	Support 2 (vertikal)	Stck
28	IN.005.001	Gehäuseboden	Bottom cover	Stck

Abweichende Positionen bei Inizio V

Pos.	Artikelnr./item no.	Bezeichnung	Description	Einheit /unit
7	IN.063.701	Platine Inizio V	Power board	Stck
15	IN.005.012	Gehäusefuss	Foot	Stck
28	IN.063.700	Gehäuseboden Inizio V	Bottom cover	Stck

Zeichnung 2: Wassertank und Rotationspumpe (Inizio R)

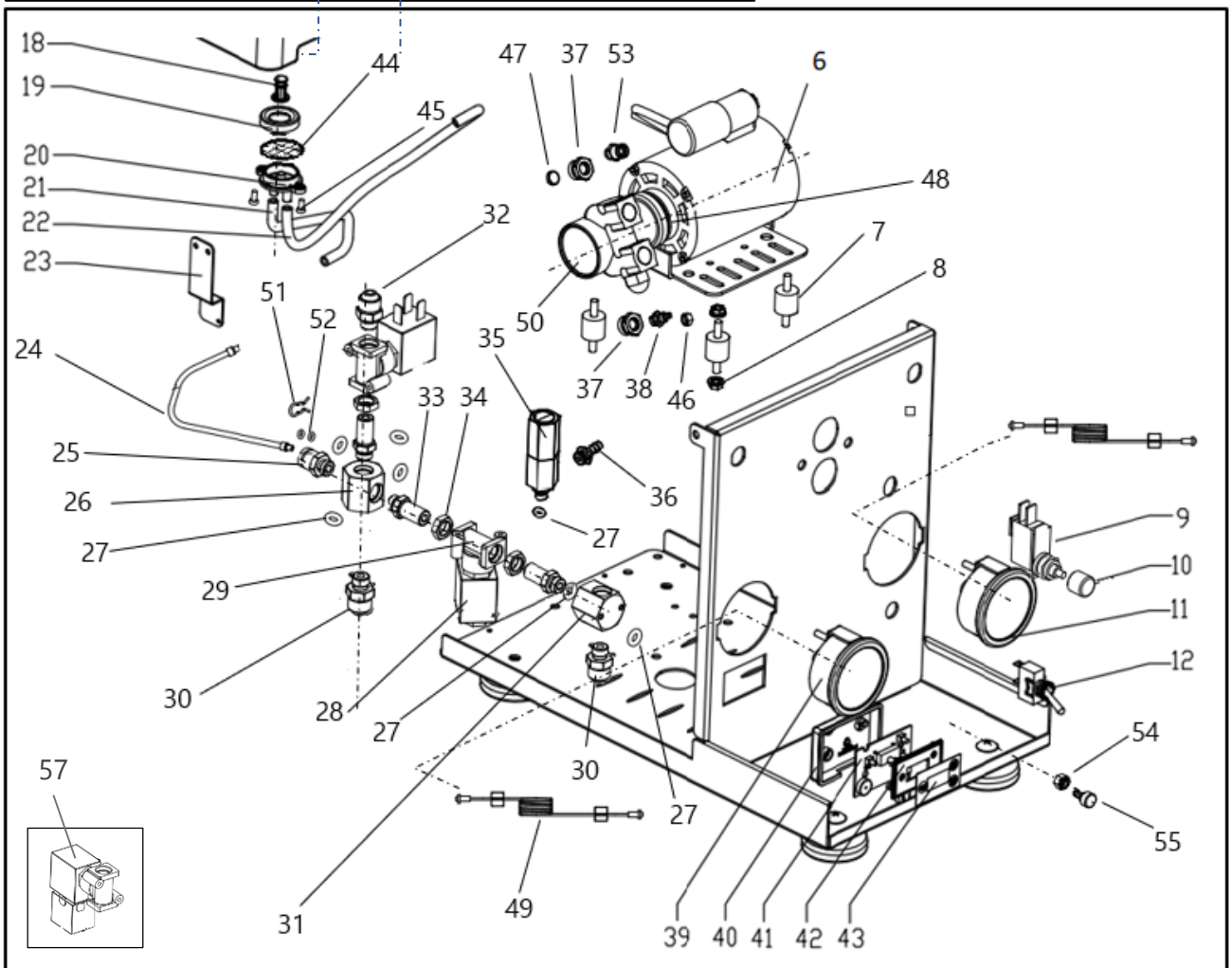
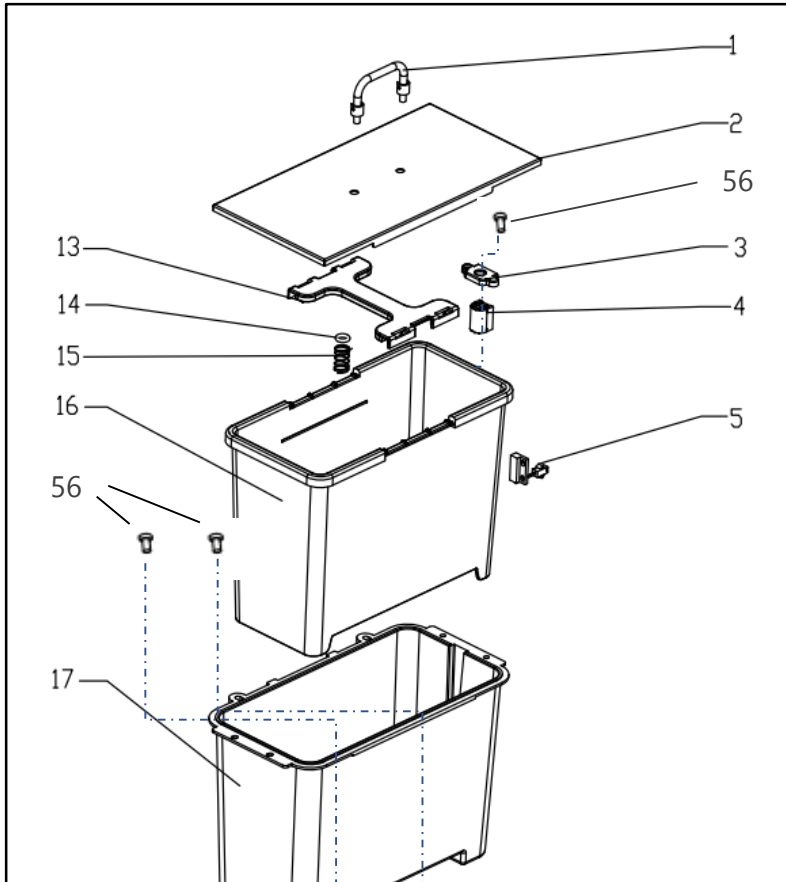


Tabelle 2 Wassertank und Rotationspumpe

Pos.	Artikelnr./item no.	Bezeichnung	Description	Einheit /unit	Preis/price in €	IN-R
1	IN.030.001	Wassertankdeckel Griff	Tank hander	Stck	3,50	2
2	IN.030.002	Wassertankdeckel	Tank cover	Stck	15,23	2
3	IN.030.100	Abdeckung	Float Cover	Stck	1,75	2
4	IN.030.101	Magnet Wasser Schwimmer	Floater	Stck	1,75	2
5	IN.030.102	Wasserstandssensor	Water Level Switch	Stck	1,54	2
6	IN.064.500	Pumpenmotor	Singelphase AC capacitaor Motor	Stck	115,50	2
7	IN.064.003	Antivibrationselement	Damping Pad	Stck	1,05	2
8	IN.064.105	Mutter	Nut	Stck	1,54	2
9	IN.005.041	Microschalter	Micro switch	Stck	2,36	2
10	IN.005.035	Microschalter Abdeckung	Switch Decorative Cover	Stck	0,88	2
11	IN.064.036	Kesselmanometer	Steam Pressure Gauge	Stck	15,23	2
12	IN.005.039	An-/Ausschalter	Handle Switch	Stck	3,33	2
13	IN.030.103	Wassertank-Griff	Water Tank Handle	Stck	1,75	2
14	IN.030.104	Dichtung	Check Valve Seal Ring	Stck	1,75	2
15	IN.030.105	Feder	Check Velve Ring	Stck	1,75	2
16	IN.030.003	Wassertank	Water tank Assy	Stck	7,00	2
17	IN.030.004	Wassertankhalterung	Water Tank Bracket	Stck	3,15	2
18	IN.030.404	Wassertankverschluss	Check Valve	Stck	1,75	2
19	IN.030.005	Wassertankdichtung	Tank Inlet Join Seal	Stck	0,18	2
20	IN.030.007	Wassertankauslauf	Water tank Inlet joint	Stck	0,11	2
21	IN.030.011	Schlauch Wassertank	Tube water tank	Stck	0,11	2
22	IN.030.008	Schlauch Wassertank	Tube	Stck	0,32	2
23	IN.080.007	Halterungsstück 6	Support 6	Stck	2,10	2
24	IN.080.008	Teflonschlauch 200	Teflon Tube Assy	Stck	1,93	2
25	IN.080.009	Verbindungsstück Teflonschlauch	Connector	Stck	1,40	2
26	IN.080.016	Vierwegeverbindungsstück	Four way connector	Stck	3,29	2
27	IN.080.012	O-Ring	Seal Ring Three way walve	Stck	0,14	2
28	IN.080.602	Spule Olab Magnetventil	Solenoide valve	Stck	20,13	2
29	IN.080.601	Magnetventil	Valve Connector	Stck	2,40	2
30	IN.080.005	Blindverschraubung	Connector	Stck	1,58	2
31	IN.080.001	Dreiwegeventil	Three Way Connector	Stck	3,26	2
32	IN.080.003	Verbindungsstück	Connector	Stck	1,80	2
33	IN.080.017	Verbindungsstück Magnetventil	Valve connector	Stck	1,58	2
34	IN.080.011	Mutter Magnetventil	Locating nut	Stck	1,93	2
35	IN.080.002	Expansionsventil	Protective Valve Asm	Stck	14,00	2
36	IN.080.015	Schlauchanschluss	Inlet Connector	Stck	1,93	2
37	IN.064.008	Reduzierstück	Rotary Pump Joint	Stck	2,80	2
38	IN.064.101	Schlauchanschluss (Steck)	Connection 7	Stck	2,30	
39	IN.064.038	Pumpenmanometer	Pump pressure gauge	Stck	15,23	2
40	IN.005.014	Display Halterung	Display panel bracket	Stck	0,35	2

Tabelle 2 Wassertank und Rotationspumpe

Pos.	Artikelnr./item no.	Bezeichnung	Description	Einheit /unit	Preis/price in €	IN-R
41	IN.005.026	Display Steuerung	Display board	Stck	5,60	2
42	IN.005.023	Display Schutzscheibe	Display cover	Stck	0,88	2
43	IN.005.024	Display Folie	Display film	Stck	0,26	2
44	IN.030.029	Wassertank Auslaufgitter	Filter mesh	Stck	0,05	2
45	IN.030.044	Schraube Wassertankauslauf	Screw	Stck	0,10	2
46	IN.064.102	Mutter	Joint Nut 1	Stck	1,10	2
47	IN.064.054	O-Ring	Valve Body Washer	Stck	0,48	2
48	IN.064.901	Pumpen-Schelle	Connection Buckle	Stck	0,90	2
49	IN.005.139	Kapillarrohr	Copper Tube Assembly	Stck	6,90	2
50	IN.064.001	Rotationspumpe	Water Pump	Stck	159,00	2
51	IN.080.018	Befestigungsklammer	Clip	Stck	0,19	2
52	IN.080.019	O-Ring	Seal Ring	Stck	0,19	2
53	IN.064.005	Anschlussstück	Connector 3	Stck	1,90	2
54	IN.005.090	Mutter für Auslauf	Nut	Stck	0,75	2
55	IN.005.091	Auslauf Antivakuumentil	Drainage joint	Stck	1,90	2
56	IN.030.012	Schraube für Wassertankeinsatz	Screw	Stck	0,19	2
57	IN.080.004	Magnetventil komplett	Solenoid valve	Stck	20,13	2

Zeichnung 3: Wassertank und Vibrationspumpe (Inizio V)

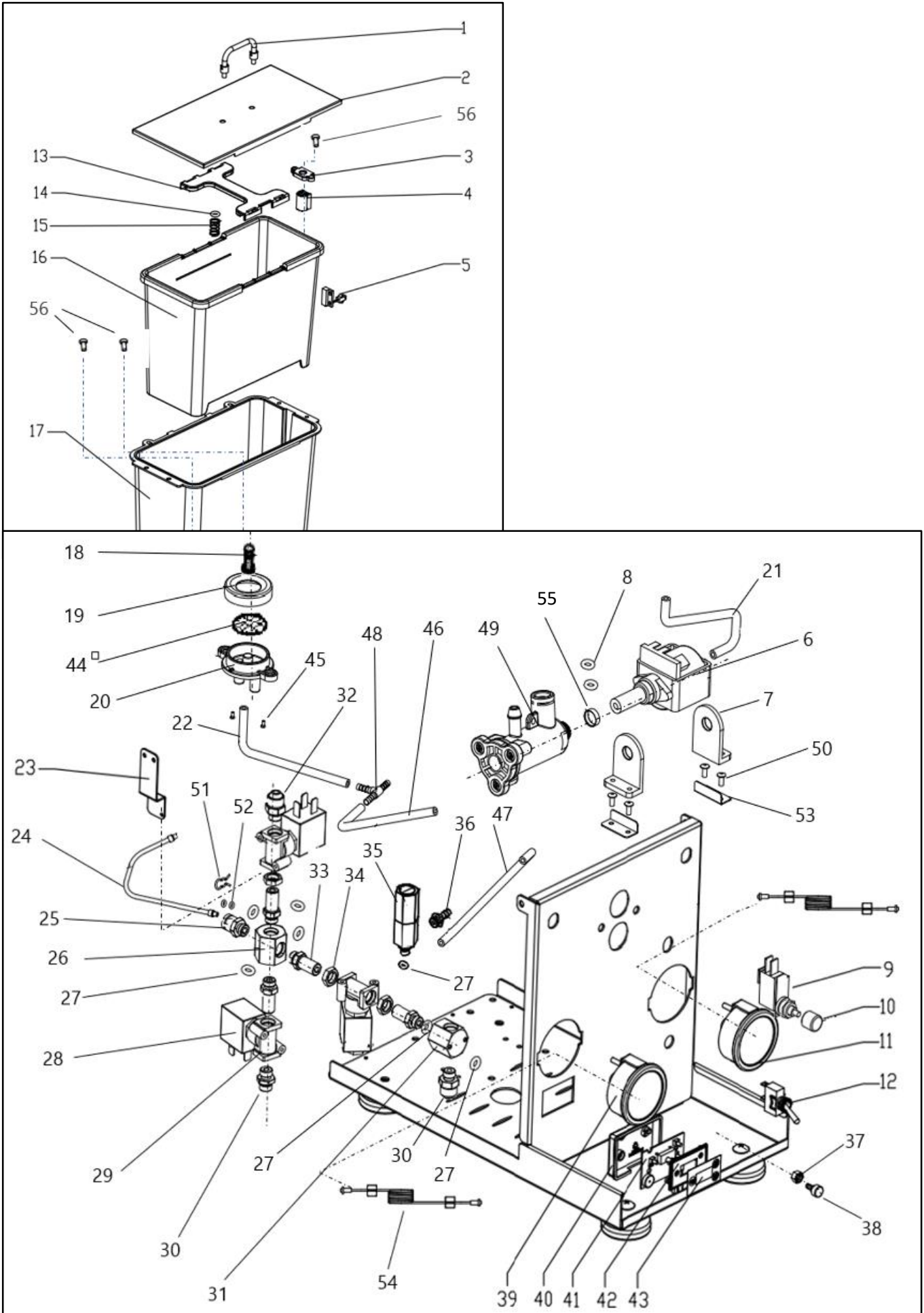


Tabelle 3 Wassertank und Vibrationspumpe

Pos.	Artikelnr./item no.	Bezeichnung	Description	Einheit /unit
1	IN.030.001	Wassertankdeckel Griff	Tank hander	Stck
2	IN.030.002	Wassertankdeckel	Tank cover	Stck
3	IN.030.100	Abdeckung	Float Cover	Stck
4	IN.030.101	Magnet Wasser	Floater	Stck
5	IN.030.102	Wasserstandssensor	Water Level Switch	Stck
6	IN.063.001	Vibrationspumpe	Vibration Water pump	Stck
7	IN.063.221	Antivibrationselement	pump buffer block	Stck
8	IN.063.008	O-Ring	Seal Ring	Stck
9	IN.005.041	Microschalter	Micro switch	Stck
10	IN.005.035	Microschalter Abdeckung	Switch Decorative Cover	Stck
11	IN.063.036	Kesselmanometer	Steam Pressure Gauge	Stck
12	IN.005.039	An-/Ausschalter	Handle Switch	Stck
13	IN.030.103	Wassertank-Griff	Water Tank Handle	Stck
14	IN.030.104	Dichtung	Check Valve Seal Ring	Stck
15	IN.030.105	Feder	Check Velve Ring	Stck
16	IN.030.003	Wassertank	Water tank Assy	Stck
17	IN.030.004	Wassertankhalterung	Water Tank Bracket	Stck
18	IN.030.404	Einsatz	Check Valve	Stck
19	IN.030.005	Wassertankdichtung	Tank Inlet Join Seal	Stck
20	IN.030.007	Wassertankauslauf	Water tank Inlet joint	Stck
21	IN.030.011	Schlauch Wassertank	Tube water tank	Stck
22	IN.063.002	Schlauch Wassertank	Tube	Stck
23	IN.080.007	Halterungsstück 6	Support 6	Stck
24	IN.080.008	Teflonschlauch 200	Teflon Tube Assy	Stck
25	IN.080.009	Verbindungsstück Teflonschlauch	Connector	Stck
26	IN.080.016	Vierwegeverbindungsstück	Four way connector	Stck
27	IN.080.012	O-Ring	Seal Ring Three way walve	Stck
28	IN.080.004	Magnetventil komplett	Solenoid valve	Stck
29	IN.080.601	Magnetventil	Valve Connector	Stck
30	IN.080.005	Fitting	Connector	Stck
31	IN.080.001	Dreiwegeventil	Three Way Connector	Stck
32	IN.063.007	Pumpendichtungsring	Pump Protection Ring	Stck
32	IN.080.003	Verbindungsstück	Connector	Stck
33	IN.080.017	Verbindungsstück Magnetventil	Valve connector	Stck
34	IN.080.011	Mutter Magnetventil	Locating nut	Stck
35	IN.080.002	Expansionsventil	Protective Valve Asm	Stck
36	IN.080.015	Schlauchanschluss	Inlet Connector	Stck
37	IN.005.090	Mutter für Auslauf	Nut	Stck
38	IN.005.091	Auslauf Antivakuumentil	Drainage joint	Stck
39	IN.063.038	Pumpenmanometer	Pump pressure gauge	Stck
40	IN.005.014	Display Halterung	Display panel bracket	Stck

Tabelle 3 Wassertank und Vibrationspumpe

Pos.	Artikelnr./item no.	Bezeichnung	Description	Einheit /unit
41	IN.005.026	Display Steuerung	Display board	Stck
42	IN.005.023	Display Schutzscheibe	Display cover	Stck
43	IN.005.024	Display Folie	Display film	Stck
44	IN.030.029	Wassertank Auslaufgitter	Filter mesh	Stck
45	IN.030.044	Schraube Wassertankauslauf	Screw	Stck
46	IN.063.004	Schlauch Wassertank	Tube water tank	Stck
47	IN.063.005	Schlauch Wassertank	Tube water tank	Stck
48	IN.063.006	T-Stück	T-Piece	Stck
48	IN.063.201	Membranregler	Shock Absorber Valve Assembly	Stck
50	IN.063.019	Schraube	Screw	Stck
51	IN.080.018	Befestigungsklammer	Clip	Stck
52	IN.080.019	O-Ring	Seal Ring	Stck
53	IN.063.003	Blechwinkel	Pump fixing plate	Stck
54	IN.005.139	Kapillarrohr	Copper Tube Assembly	Stck

Zeichnung 4: Boiler

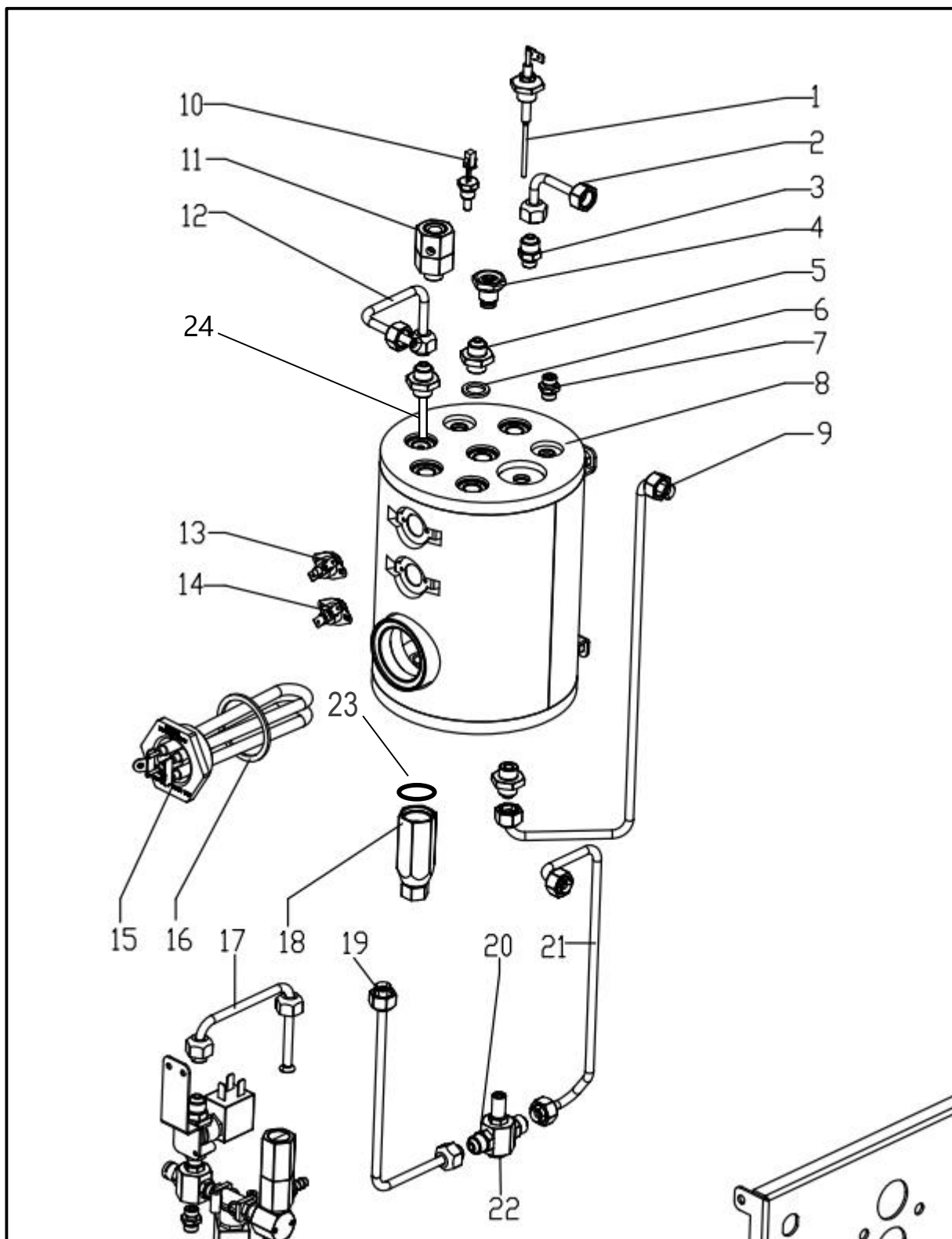


Tabelle 4 Boiler

Pos.	Artikelnr./item no.	Bezeichnung	Description	Einheit /unit
1	IN.076.013	Wasserstandssensor Boiler	Water level sensor boiler	Stck
2	IN.076.001	Kupferrohr 1	Copper pipe Boiler 1	Stck
3	IN.076.032	Fitting	Connector	Stck
4	IN.076.033	Antivakuum-Ventil	Vent Valve Asm	Stck
5	IN.076.017	Verbindungsstück	Connector vent valve	Stck
6	IN.076.034	PTFE-Dichtung	Joint Seal Ring	Stck
7	IN.076.018	Verbindungsstück	connector boiler 3	Stck
8	IN.076.019	Edelstahlboiler	Stainless steal boiler	Stck
9	IN.076.004	Kupferrohr 4	Copper pipe Boiler 4	Stck
10	IN.076.035	Temperatursensor	NTC	Stck
11	IN.076.007	Sicherheitsventil	protective valve	Stck
12	IN.076.002	Kupferrohr 2	Copper pipe Boiler 2	Stck
13	IN.076.025	Temperaturfühler 155 Grad	Thermostat	Stck
14	IN.076.026	Temperaturfühler 140 Grad	Thermostat	Stck
15	IN.076.010	Heizung	Heating element	Stck
16	IN.076.009	Teflon Dichtung	Teflon gaket	Stck
17	IN.076.003	Kupferrohr 3	Copper pipe Boiler 3	Stck
18	IN.076.036	Ablassventil Boiler	Out Valv Asm	Stck
19	IN.076.006	Kupferrohr 6	Copper pipe Boiler 6	Stck
21	IN.076.005	Kupferrohr 5	Copper pipe Boiler 5	Stck
22	IN.076.012	3-Wege-Verteiler	Drain valve	Stck
23	IN.076.203	Dichtring Ablassventil	Seal Ring	Stck
24	IN.076.055	Anschlussstück mit Rohr	Connector	Stck

Zeichnung 5: Drehventile

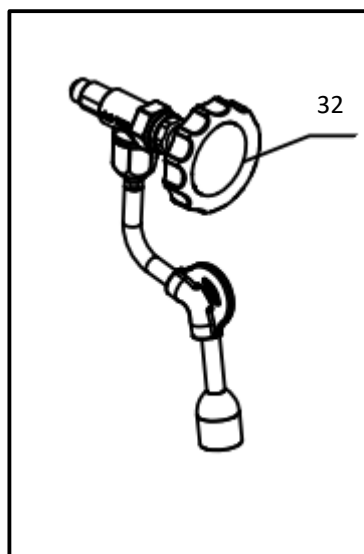
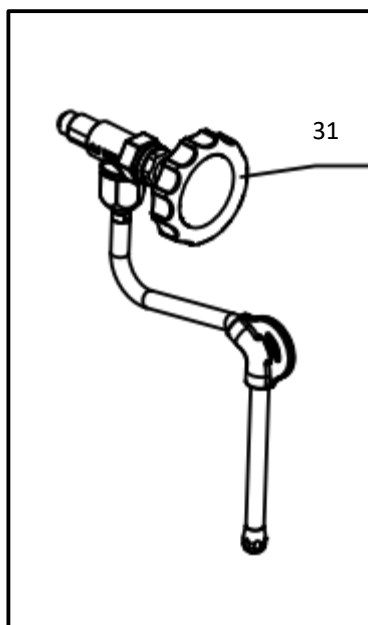
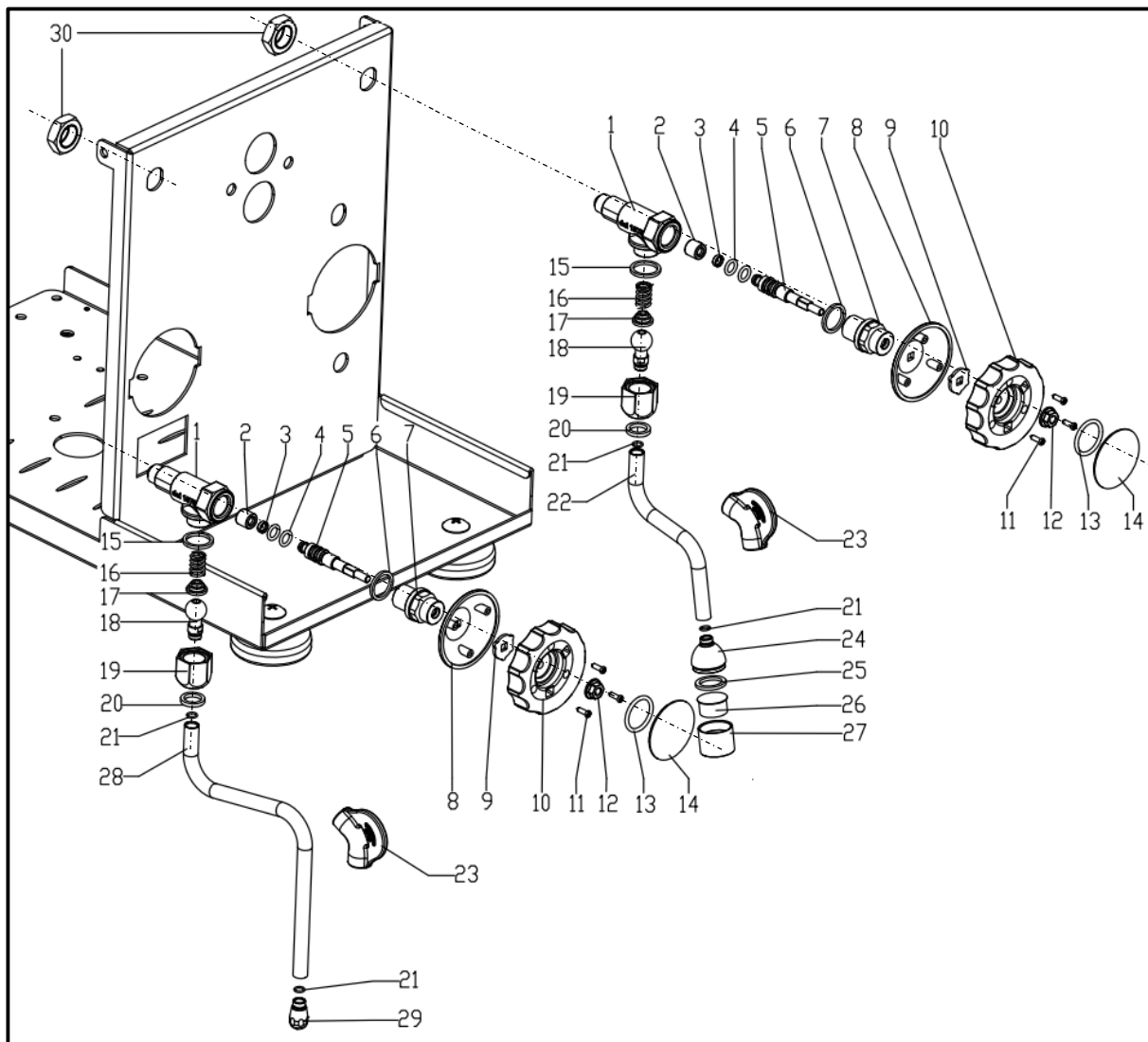


Tabelle 5 Drehventile

Pos.	Artikelnr./item no.	Bezeichnung	Description	Einheit/unit
1	IN.096.001	Heisswasserventil	Valve Body	Stck
2	IN.096.002	O-Dichtring	Seal Ring	Stck
3	IN.096.003	Fixierungsring	Fixing Ring	Stck
4	IN.096.004	O-Dichtring	Seal Ring	Stck
5	IN.096.005	Achse Drehventil	Adjusting Pin	Stck
6	IN.096.006	PTFE Dichtung	Valve Body Gasket	Stck
7	IN.096.007	Verschraubung	Valve Cap	Stck
8	IN.096.008	Drehregler Rückseite	Knob Cover	Stck
9	IN.096.009	Drehregler Verbindung	Knob Support	Stck
10	IN.096.010	Drehregler Vorderseite	Knob	Stck
11	IN.096.011	Schraube	Selftapping Screw A	Stck
12	IN.096.012	Mutter	Nut	Stck
13	IN.096.013	O-Dichtring	Sealing Ring	Stck
14	IN.096.014	Edelstahlblende	Knob Cover	Stck
15	IN.096.015	PTFE Dichtung	Valve Body Gasket	Stck
16	IN.096.016	Feder	Steam Tube Spring	Stck
17	IN.096.017	Kugelpfanne	Steam Press Block	Stck
18	IN.096.018	Kugelgelenk	Rotary Head	Stck
19	IN.096.019	Mutter verchromt	Steam Tube Joint	Stck
20	IN.096.020	PTFE Dichtung	Steam Tube Gasket	Stck
21	IN.096.021	O-Dichtring	Seal Ring	Stck
22	IN.096.022	Heisswasserrohr	Hot Water Pipe	Stck
23	IN.096.023	Gummi-Isolation Heisswasserrohr	Steam Tube Handle	Stck
24	IN.096.024	Heisswasserauslauf	Hot Water Nozzle	Stck
25	IN.096.025	Gummidichtung	Seak Ring	Stck
26	IN.096.026	Perlator	Filter Mesh	Stck
27	IN.096.027	Verschraubung	Hot Water Pipe Cover	Stck
28	IN.096.028	Rohr Dampf	Steam Tube	Stck
29	IN.096.029	Düse	Steam Nozzle	Stck
30	IN.096.030	Mutter	Nut	Stck
31	IN.096.000	Dampfventil komplett	Steam Walve complete	Stck
32	IN.097.000	Heisswasserventil komplett	Hot Water complete	Stck

Zeichnung 6: Kippventile

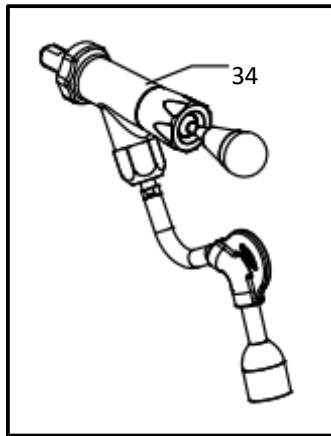
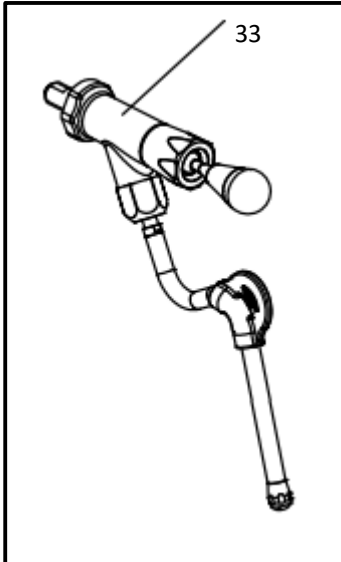
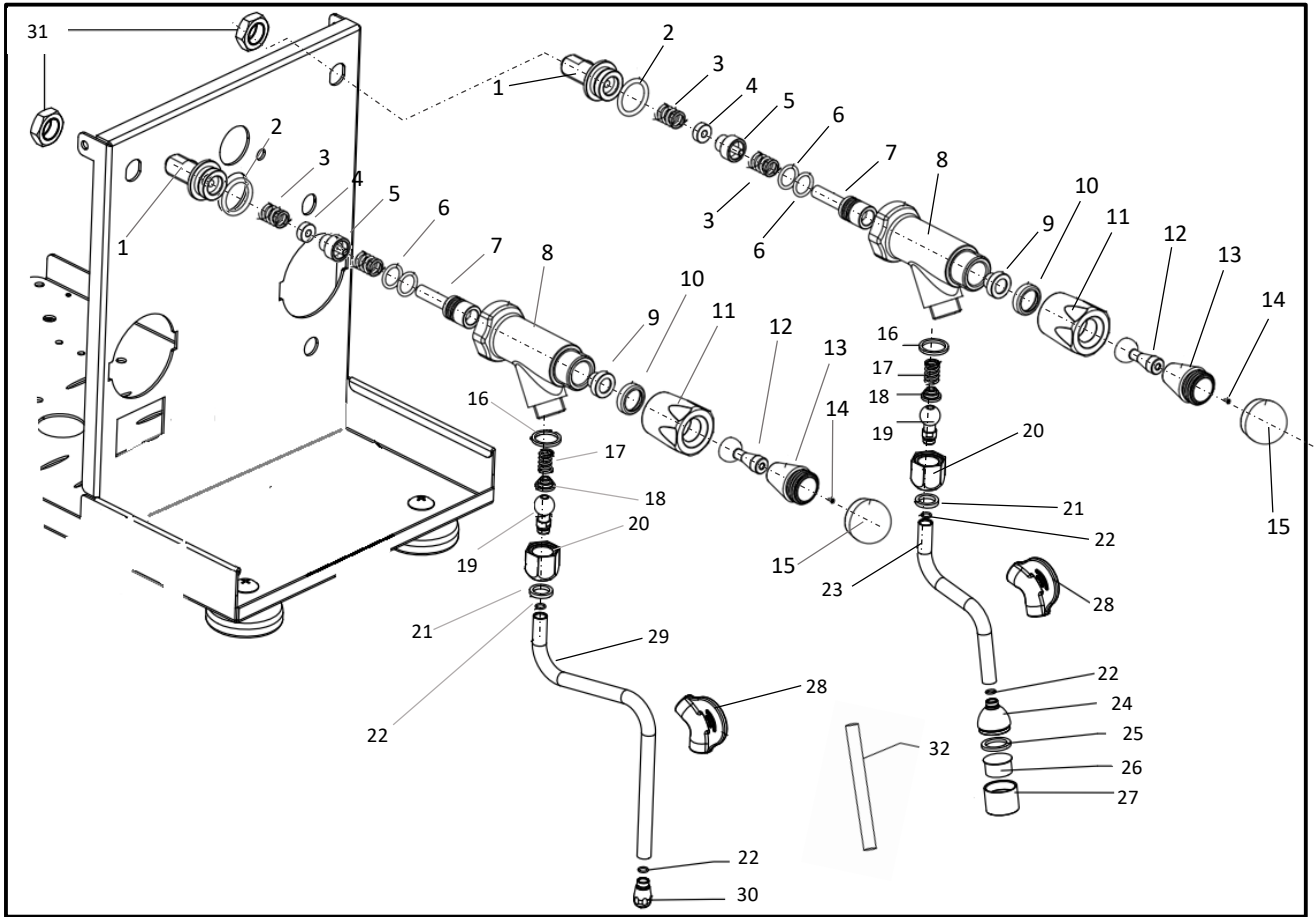


Tabelle 6 Kippventile

Pos.	Artikelnr./item no.	Bezeichnung	Description	Einheit/unit
1	IN.196.103	Anschluss-Stück	Connector	Stck
2	IN.196.104	Ventildichtung	Valve Cover Seal	Stck
3	IN.196.105	Feder	Steam Pipe Spring	Stck
4	IN.196.106	Ventilscheibe	Valve Plug	Stck
5	IN.196.107	Ventilstift	Push Rod1	Stck
6	IN.196.108	Dichtung	Seal Ring	Stck
7	IN.196.109	Öffnungsventil	Push Rod2	Stck
8	IN.196.110	Ventilkorpus	Valve Body	Stck
9	IN.196.111	Knopf	Press Block 1	Stck
10	IN.196.112	Einsatzring	Press Block 2	Stck
11	IN.196.113	Kipphebelmutter	Valve Cap	Stck
12	IN.196.114	Kipphebel Innenteil	Handle	Stck
13	IN.196.115	Griff Kunststoff Kippventil	Handle	Stck
14	IN.196.101	Schraube	Screw B	Stck
15	IN.196.116	Kappe Chrom Kippventil	Handle Cover	Stck
16	IN.096.015	PTFE Dichtung	Valve Body Gasket	Stck
17	IN.096.016	Feder	Steam Tube Spring	Stck
18	IN.096.017	Kugelpfanne	Steam Press Block	Stck
19	IN.096.018	Kugelgelenk	Rotary Head	Stck
20	IN.096.019	Mutter verchromt	Steam Tube Joint	Stck
21	IN.096.020	PTFE Dichtung	Steam Tube Gasket	Stck
22	IN.096.021	O-Dichtring	Seal Ring	Stck
23	IN.096.022	Heisswasserrohr	Hot Water Pipe	Stck
24	IN.096.024	Heisswasserauslauf	Hot Water Nozzle	Stck
25	IN.096.025	Gummidichtung	Seak Ring	Stck
26	IN.096.026	Perlator	Filter Mesh	Stck
27	IN.096.027	Verschraubung	Hot Water Pipe Cover	Stck
28	IN.096.023	Gummi-Isolation Heisswasserrohr	Steam Tube Handle	Stck
29	IN.096.028	Dampfrohr	Sream Tube	Stck
30	IN.096.029	Düse	Steam Nozzle	Stck
31	IN.096.030	Mutter	Nut	Stck
32	IN.096.031	Teflon Innenschlauch	Inner Tube	Stck
33	IN.196.000	Kippventil Dampf komplett	Hot Water Valve with Wand	Stck
34	IN.197.000	Kippventl Heisswasser komplett	Hot Water Walve without Wand	Stck

Zeichnung 7 Brühgruppe

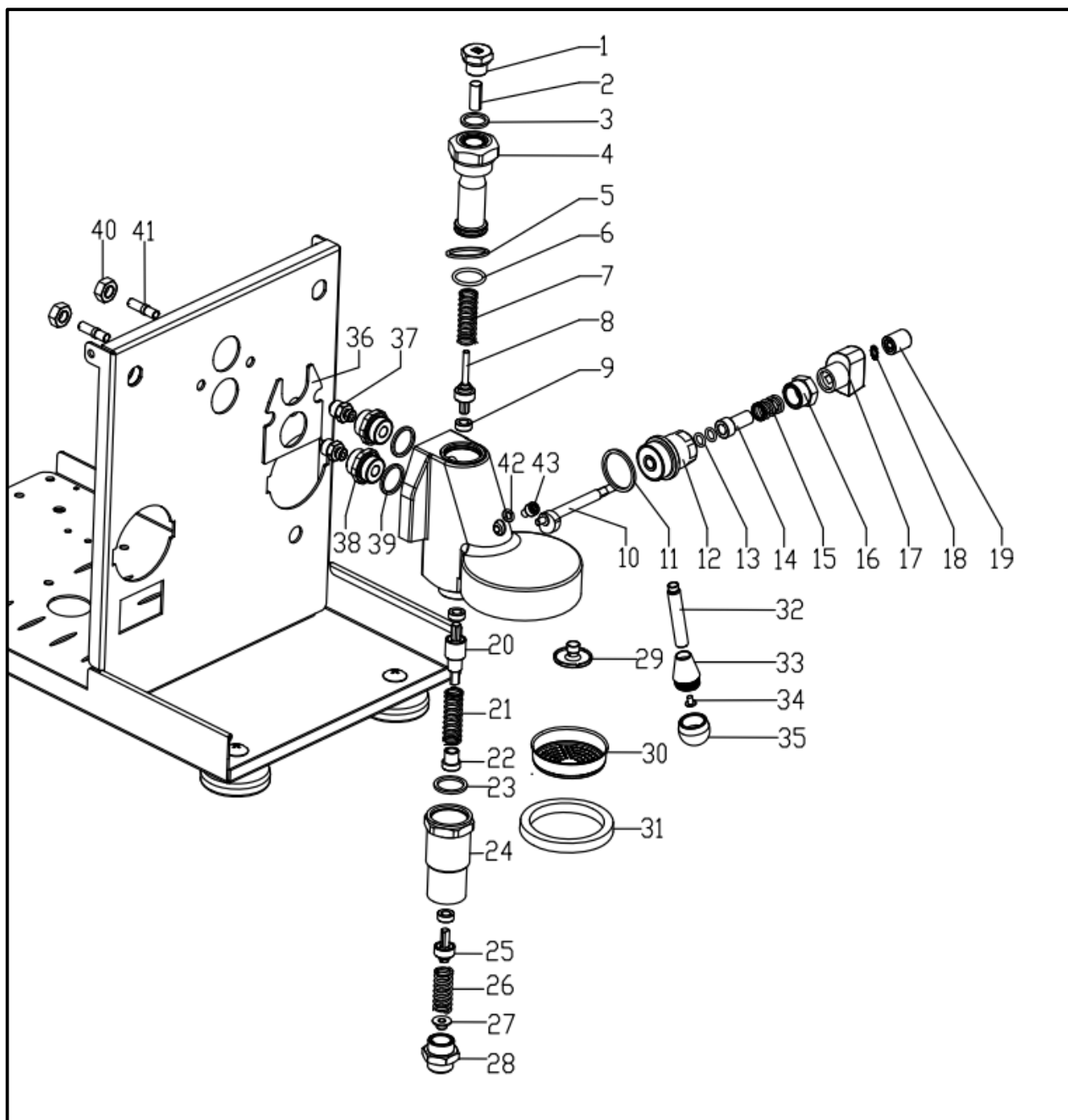


Tabelle 7 Brühgruppe

Pos.	Artikelnr./item no.	Bezeichnung	Description	Einheit/unit
1	IN.091.001	Deckel Auslaufgruppe	Filter Holder	Stck
2	IN.091.002	Wasserfilter 8,5 x 22	Filter	Stck
3	IN.091.003	Dichtung PTFE 11 x 17 x 2	Seal Pad 2	Stck
4	IN.091.004	Kollektor	Sealing Rod	Stck
5	IN.091.005	O-Dichtring	Seal Padl	Stck
6	IN.091.006	Dichtung PTFE 35 x 30 x 2	Head Seal Ring	Stck
7	IN.091.007	Feder 14 x 45	Eject Rod Spring 2	Stck
8	IN.091.008	Auslaufventil	Push Rod 3	Stck
9	IN.091.009	Dichtring	Valve Plug	Stck
10	IN.091.010	Nockenwelle	Cam	Stck
11	IN.091.011	Dichtung PTFE 35 x 30 x 2	Seal Padl	Stck
12	IN.091.012	Anschluss Nockenwelle	Handle Fixing Piece 2	Stck
13	IN.091.013	Flachdichtung 15,5 x 7,5	Seal Ring	Stck
14	IN.091.014	Buchse Nockenwelle	Shaft Tubel	Stck
15	IN.091.015	Feder 15 x 25	Eject Rod Spring 1	Stck
16	IN.091.016	Mutter	Handle Fixing Piece 1	Stck
17	IN.091.017	Schalthebel Nocken	Handle Fixing Piece 3	Stck
18	IN.091.018	Zahnscheibe	Lock Washer	Stck
19	IN.091.019	Haubenmutter	Fixing Nut	Stck
20	IN.091.020	Auslaufventil	Push Rodl	Stck
21	IN.091.021	Feder 14 x 45	Eject Road Spring 2	Stck
22	IN.091.022	Buchse Federführung	Shaft Tube 2	Stck
23	IN.091.023	PTFE 35 x 30 x 2	Seal Pad 3	Stck
24	IN.091.024	Ablaufkollektor	Drainge Valve Body 2	Stck
25	IN.091.025	Auslaufventil	Push Rod 2	Stck
26	IN.091.026	Feder 14 x 33	Eject Rod Spring 3	Stck
27	IN.091.027	Auslaufverteiler	Water Nozzle	Stck
28	IN.091.028	Auslaufanschluss	Drainge Valve Joint	Stck
29	IN.091.029	Wasserverteiler	Nozzle Joint	Stck
30	IN.091.030	Auslaufdusche	Filter Mesh	Stck
31	IN.091.031	Siebträgerdichtung	Funnel Seal Ring	Stck
32	IN.091.032	Verbindungsstück	Connect Rod	Stck
33	IN.091.033	Griff	Handle	Stck
34	IN.091.034	Schraube	Machinemade Screw B	Stck
35	IN.091.035	Kappe verchromt	Handle Cover	Stck
36	IN.091.036	Dichtung Brühgruppe	Linsulation Board	Stck
37	IN.091.037	Anschluss	Connector	Stck
38	IN.091.038	Fitting	Connector	Stck
39	IN.091.039	O-Dichtring	Washer	Stck
40	IN.091.040	Mutter	Nut	Stck
41	IN.091.041	Schraube	Machinemade Screw B	Stck
42	IN.091.042	Dichtung PTFE 10 x 6	Seal Pad 4	Stck
43	IN.091.043	Schraube M6 x 10	Screw	Stck

Zeichnung 8: Zubehör

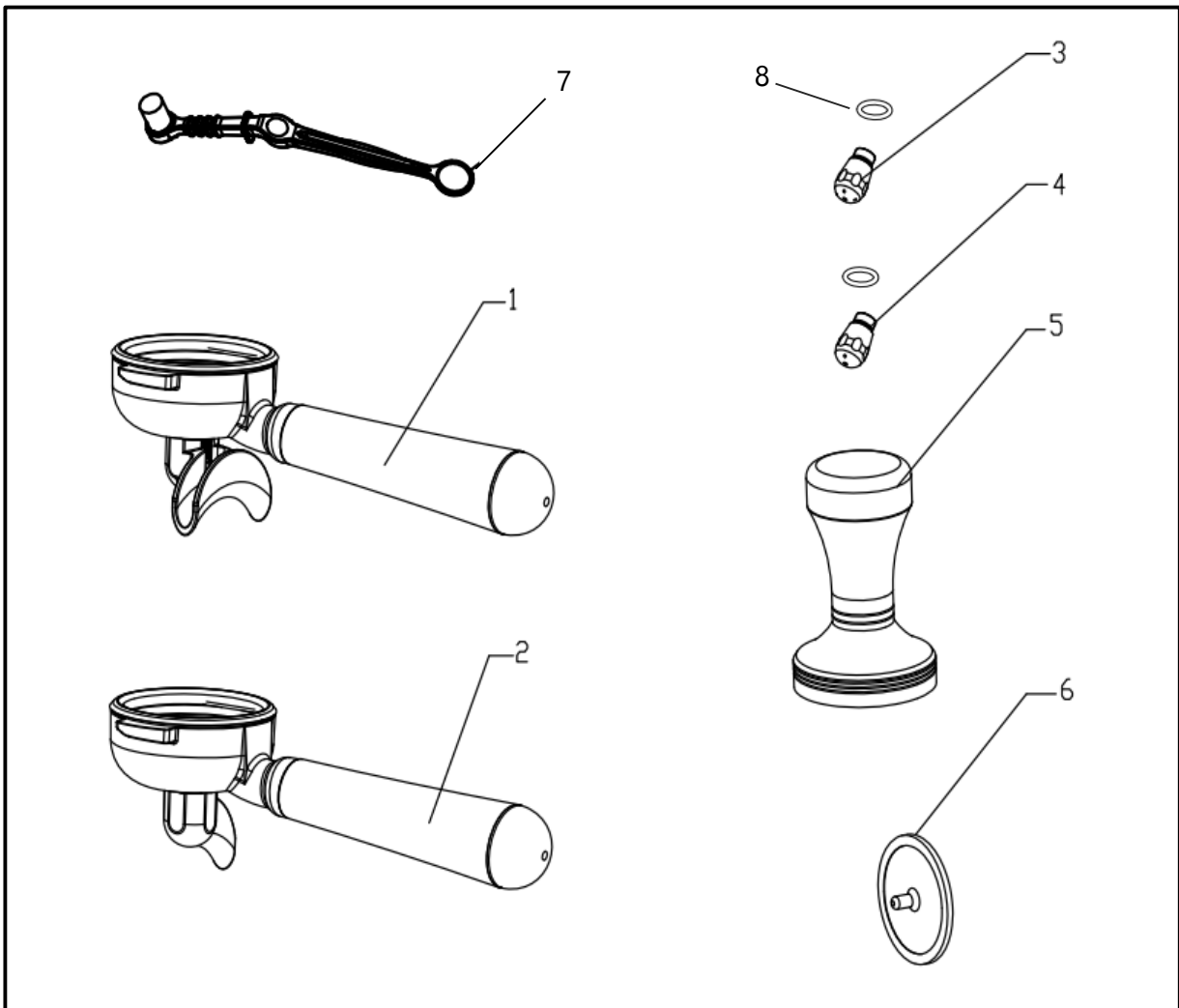


Tabelle 8 Zubehör

Pos.	Artikelnr./ item no.	Bezeichnung	Description	Einheit/ unit
1	ZB.200.002	Siebträger 2er Auslauf	Portafilter two cup	Stck
2	ZB.200.001	Siebträger 1er Auslauf	Portafilter one cup	Stck
3	ZB.200.010	Dampfdüse 2-Loch	Steam nozzle 2 holes	Stck
4	ZB.200.011	Dampfdüse 4-Loch	Steam nozzle 4 holes	Stck
5	ZB.200.005	Tamper	Tamper	Stck
6	ZB.200.012	Blindsieb	Cleaning pad	Stck
7	ZB.200.020	Reinigungsbürste	Brush	Stck
8	IN.096.021	Düsendichtring O-Ring	Seal Ring	Stck