

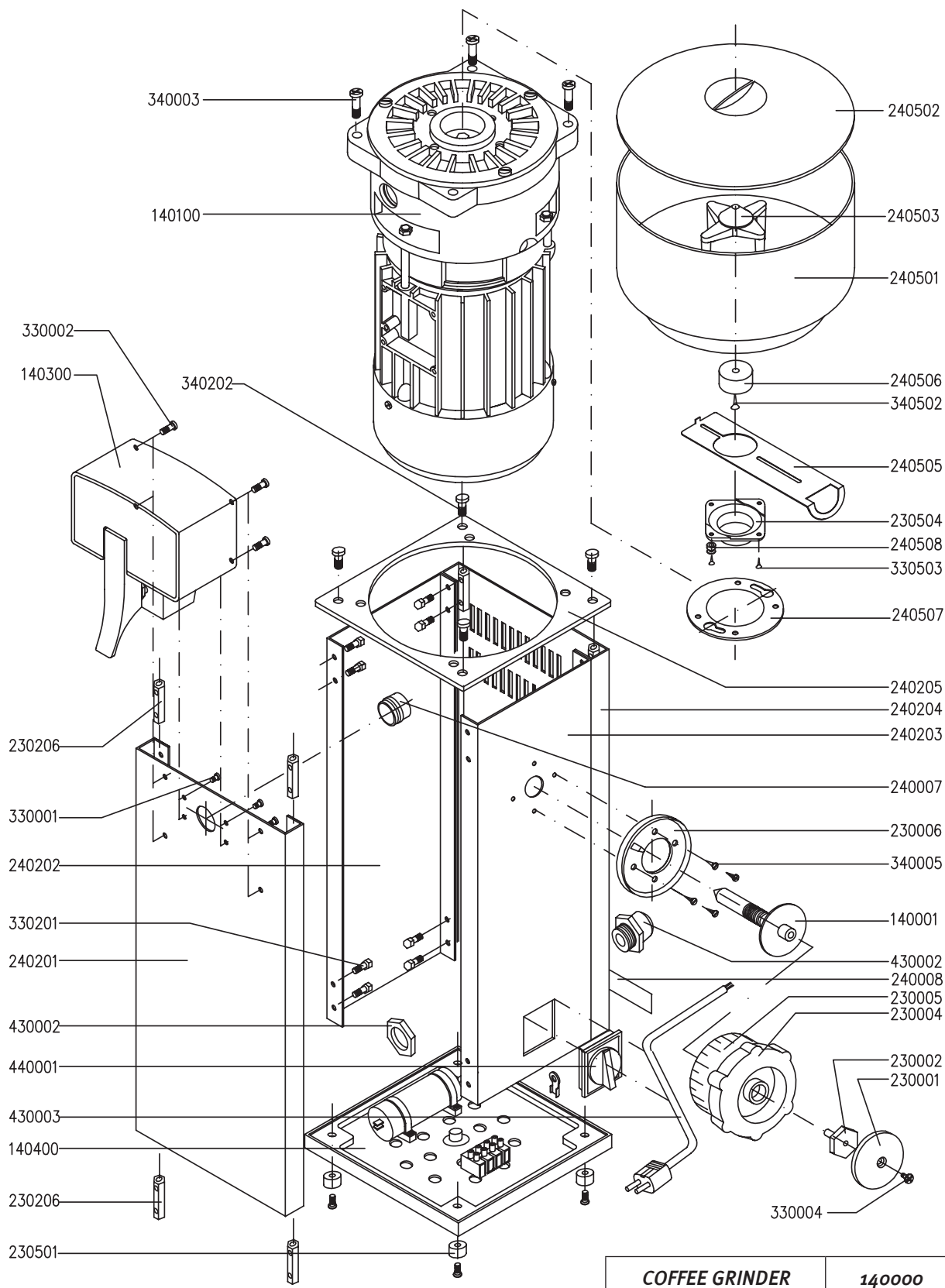
devoted to **PERFECT** grinding



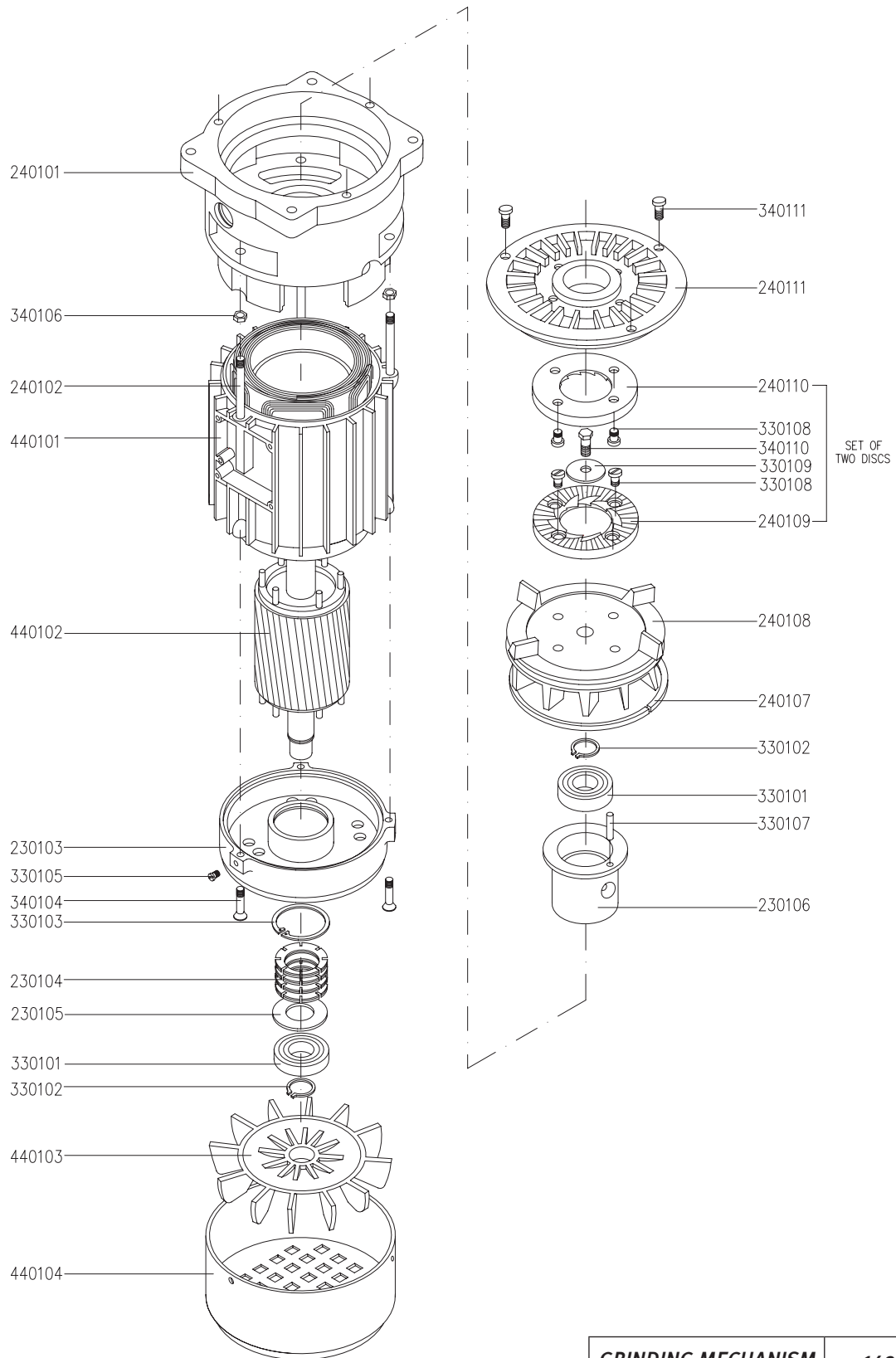
**DIP.**<sup>®</sup>  
GRINDERS

**DK-40**  
KINEMATIC SCHEME

# Grinder

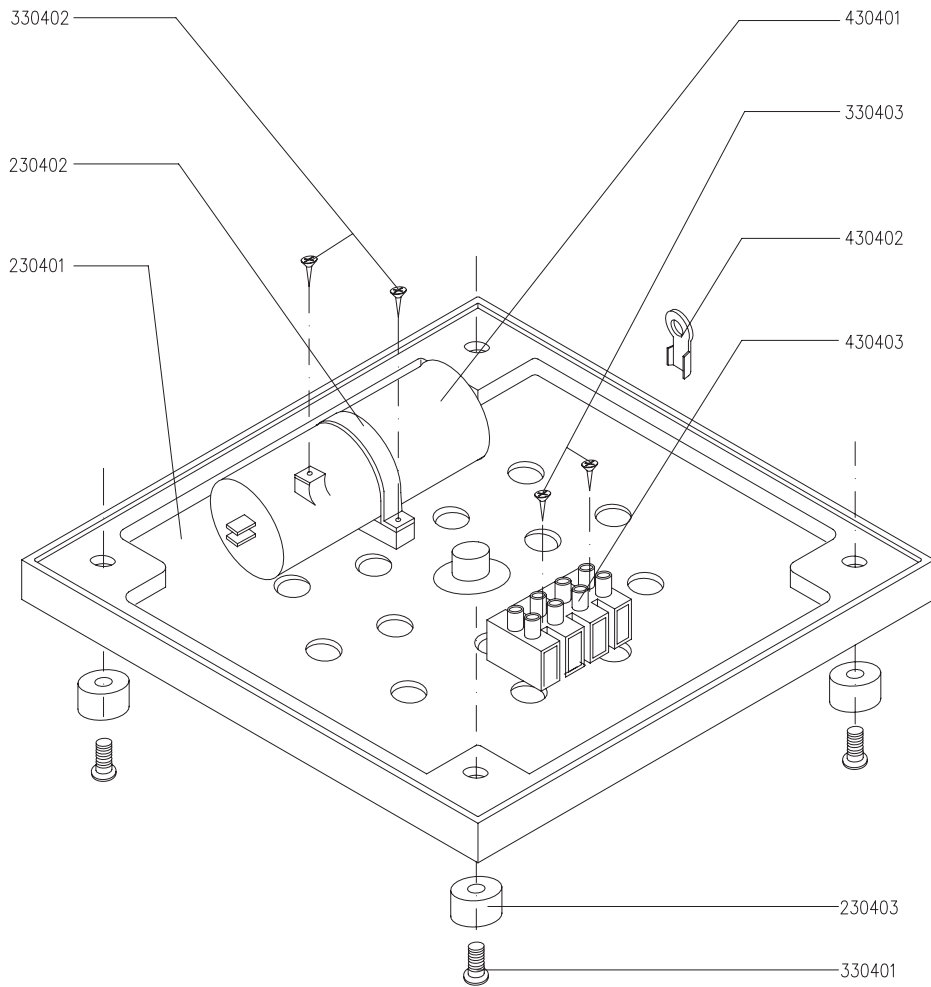


# Grinding mechanism



<b>GRINDING MECHANISM</b>	<b>140100</b>
---------------------------	---------------

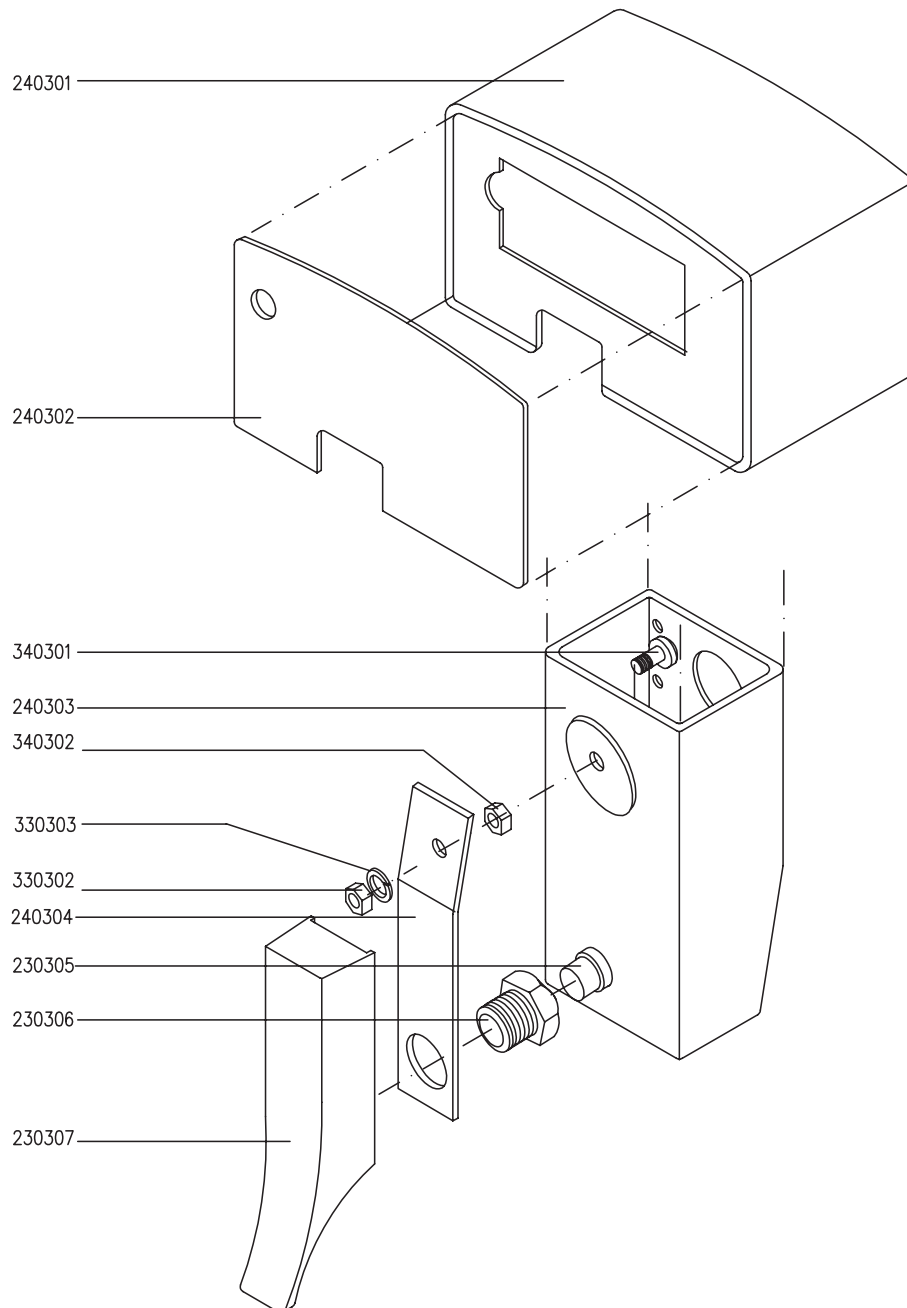
# Bottom plate



**BOTTOM PLATE**

**140400**

# Discharge housing



<b>DISCHARGE HOUSING</b>	<b>140300</b>
--------------------------	---------------

devoted to **PERFECT** grinding



**DIP.**<sup>®</sup>  
GRINDERS

**HEAD OFFICE:**

287 Theodor Pallady Bd. 032258 Bucharest, Romania  
Phone: +40 21 345 11 06 • Fax: +40 21 345 11 07  
[www.dipgrinders.ro](http://www.dipgrinders.ro) • [office@dipgrinders.ro](mailto:office@dipgrinders.ro)