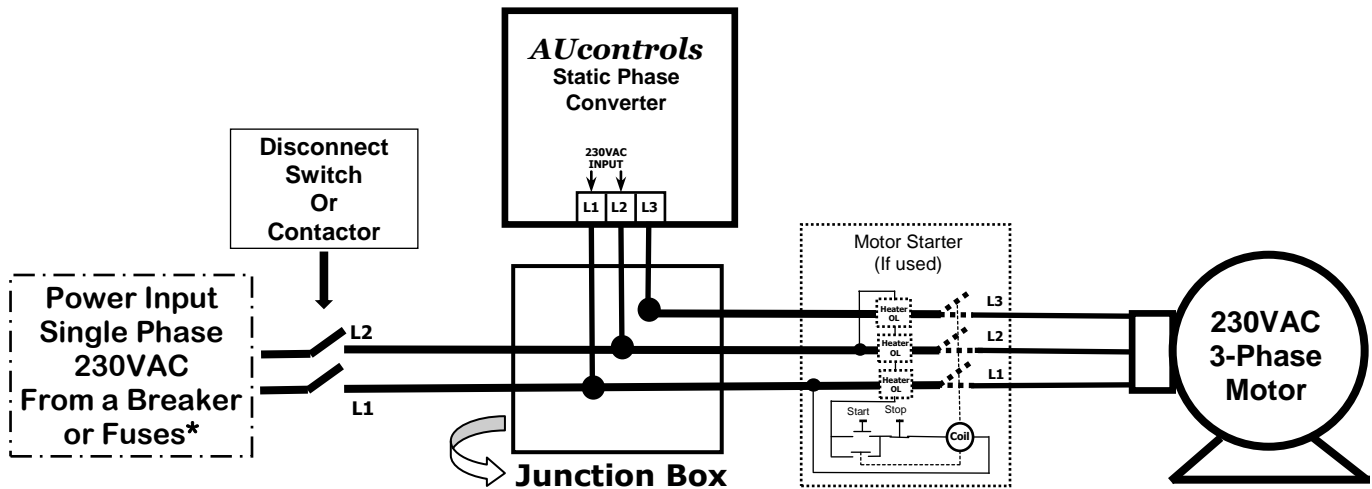


AUcontrols



- Connect the Static Phase Converter ONLY as shown; the Single-Phase Power input MUST be connected ONLY in L1 and L2.
- Use Breakers or Fuses to feed the single-phase power to the disconnect switch to feed the converter & motor, according to the Motor's HP Amperage (See Chart).
- Do not use fuses between the converter and the Motor.
- If you use a Motor Starter to start the motor make sure the contactor's coil is powered from L1 & L2 (230VAC).
- Use proper wire size according to the Motor's Amperage and Ground your equipment!

Recommended Breakers and Wires size for Static Phase Converters.										
Refer to NEC code #430 C										
HP	1	2	3	5	7.5	10	15	20	25	30
Breaker Amps.	15	15	20	30	40	60	100	125	160	200
Wire Size From Breaker to Motor	14	14	12	10	8	6	3	1	1/0	3/0
Wire Size from Converter to Junction Box	14	14	14	12	10	8	6	3	1	1/0
Fuses*	10	10	15	30	40	45	60	80	100	125
Conduit size	1/2	1/2	1/2	1/2	3/4	3/4	1	1	1-1/4	1-1/2

*Fuses (If used) must be TIME DELAY, and use them ONLY for the Input Power L1 & L2. Do not use Fuses on 3-Phase lines to the Motor.

Contact us at: info@aucontrols.com

aucontrols.com